

HC-B 10-TMB-100/O1STM32G-EEE - Housing



1460367

<https://www.phoenixcontact.com/us/products/1460367>

Please be informed that the data shown in this PDF document is generated from our online catalog. Please find the complete data in the user documentation. Our general terms of use for downloads are valid.



HEAVYCON ADVANCE B10 sleeve housing, with bayonet locking (Allen screw), salt water resistant aluminum, height: 100 mm, with 1 x M32 thread, straight cable outlet, without surface; conductive seal (EMC properties)

Commercial data

Item number	1460367
Packing unit	10 pc
Minimum order quantity	10 pc
Sales key	BF58
Product key	BF7AAA
Catalog page	Page 568 (PC-2011)
GTIN	4046356592666
Weight per piece (including packing)	349.97 g
Weight per piece (excluding packing)	340.3 g
Customs tariff number	85389099
Country of origin	DE

1460367

<https://www.phoenixcontact.com/us/products/1460367>

Technical data

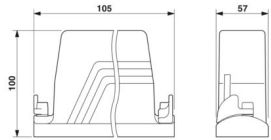
Notes

General	For contact inserts HC-B10, BB18, DD42, M, K8/24
---------	--

Product properties

Product type	Housing with bayonet locking
Housing type	Sleeve housing
Application	Offshore/EMC
Type	B10
No. of cable outlets	1
Type of the screw connection	1x M32
Fixing screws	M6
Shielded	yes
Cable outlet	straight
Pg screw connection	none

Dimensions

Dimensional drawing	
Width	57 mm
Height	100 mm
Length	105 mm

Material specifications

Seal material	NBR, conductive
Housing material	Die-cast aluminum, salt water resistant
Housing surface material	uncoated
Locking latch material	Stainless steel

Environmental and real-life conditions

Ambient conditions

Degree of protection	IP66
	IP67
Ambient temperature (operation)	-40 °C ... 125 °C

Mechanical properties

Mechanical data

Type of the screw connection	1x M32
Locking type	Screw

1460367

<https://www.phoenixcontact.com/us/products/1460367>

Mounting

Assembly instructions	If insulating powder coating is present on the control cabinet panel, it should be removed from the profile gasket area in order to ensure optimum shielding.
Fixing screws	M6

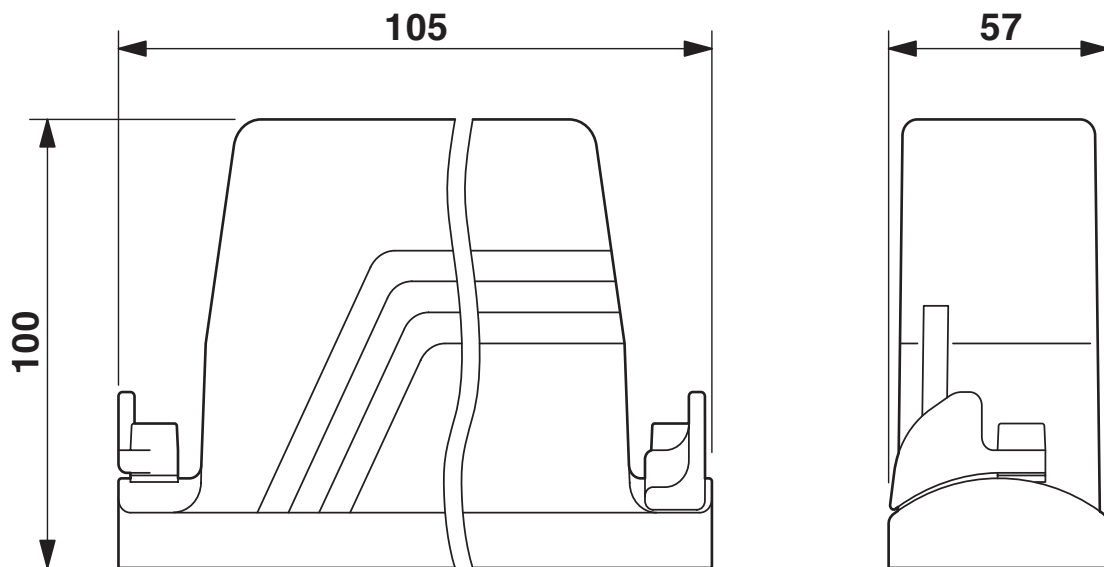
HC-B 10-TMB-100/O1STM32G-EEE - Housing

1460367

<https://www.phoenixcontact.com/us/products/1460367>

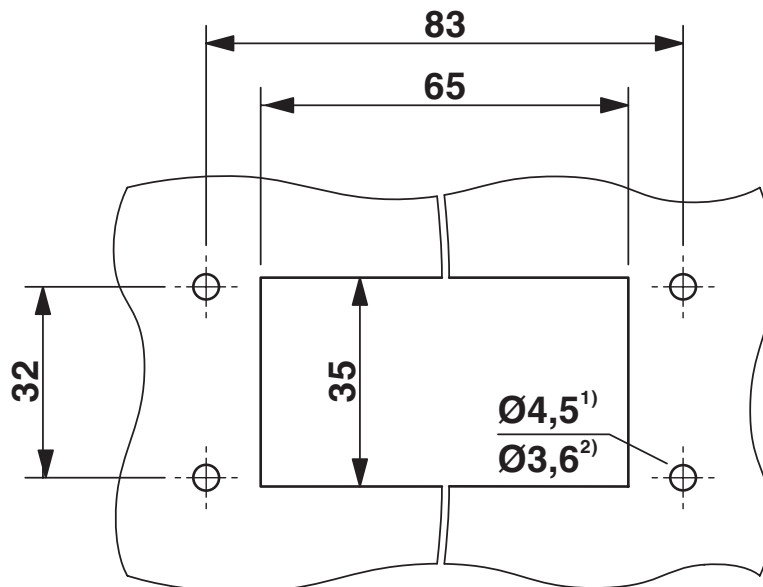
Drawings

Dimensional drawing



Dimensional drawing

Dimensional drawing



Mounting cutout

1) when M4 screws are used

2) when self-tapping Torx® screws are used (Torx® 20, M4)

1460367

<https://www.phoenixcontact.com/us/products/1460367>

Approvals

🔗 To download certificates, visit the product detail page: <https://www.phoenixcontact.com/us/products/1460367>



EAC

Approval ID: RU C-DE.AI30.B.01102



EAC

Approval ID: RU C-DE.BL08.B.00511

1460367

<https://www.phoenixcontact.com/us/products/1460367>

Classifications

ECLASS

ECLASS-11.0	27440202
ECLASS-12.0	27440202
ECLASS-13.0	27440202

ETIM

ETIM 9.0	EC000437
----------	----------

UNSPSC

UNSPSC 21.0	31261500
-------------	----------

1460367

<https://www.phoenixcontact.com/us/products/1460367>

Environmental product compliance

EU RoHS

Fulfills EU RoHS substance requirements	Yes, No exemptions
---	--------------------

China RoHS

Environment friendly use period (EFUP)	EFUP-E
	No hazardous substances above the limits

EU REACH SVHC

REACH candidate substance (CAS No.)	No substance above 0.1 wt%
-------------------------------------	----------------------------

HC-B 10-TMB-100/O1STM32G-EEE - Housing



1460367

<https://www.phoenixcontact.com/us/products/1460367>

Accessories

HC-B-BF - Panel-mount flange

1604641

<https://www.phoenixcontact.com/us/products/1604641>



Panel mounting flange for HEAVYCON ADVANCE TMB housing with bayonet locking

HC-B-BF-SET - Panel-mount flange

1604654

<https://www.phoenixcontact.com/us/products/1604654>



Bayonet mounting flange set, consisting of 2 mounting flanges with 4 self-tapping Torx® head screws and 4 fan-type spacers

HC-B 10-TMB-100/O1STM32G-EEE - Housing

1460367

<https://www.phoenixcontact.com/us/products/1460367>

G-INS-M32-M68N-PNES-GY - Cable gland

1411127

<https://www.phoenixcontact.com/us/products/1411127>



Cable gland, material for screw connection: PA, external cable diameter 15 mm .
.. 21 mm, shielding: no, connecting thread: M32 x 1.5, color: silver-grey
RAL 7001

G-INS-M32-M68N-PNES-BK - Cable gland

1411136

<https://www.phoenixcontact.com/us/products/1411136>



Cable gland, material for screw connection: PA, external cable diameter 15 mm .
.. 21 mm, shielding: no, connecting thread: M32 x 1.5, color: jet black RAL 9005

HC-B 10-TMB-100/O1STM32G-EEE - Housing

1460367

<https://www.phoenixcontact.com/us/products/1460367>



G-INS-M32-M68N-NNES-S - Cable gland

1411166

<https://www.phoenixcontact.com/us/products/1411166>



Cable gland, material for screw connection: Brass, nickel-plated, external cable diameter 15 mm ... 21 mm, shielding: no, connecting thread: M32 x 1.5, color: silver, with O-ring

HC-M-KV-M32(19-27) - Cable gland

1646010

<https://www.phoenixcontact.com/us/products/1646010>



Metal screw connection up to 5 bar, thread length: 8 mm, cable diameter: 19 - 27 mm, WAF 43, screw connection: M32

HC-B 10-TMB-100/O1STM32G-EEE - Housing

1460367

<https://www.phoenixcontact.com/us/products/1460367>

G-INSEC-M32-M68N-NCRS-S - Cable gland

1411191

<https://www.phoenixcontact.com/us/products/1411191>



Cable gland, material for screw connection: Brass, nickel-plated, external cable diameter 14 mm ... 21 mm, shielding: yes, connecting thread: M32 x 1.5, color: silver, with O-ring

HC-M-KV-Z-M32 - Cable gland

1646162

<https://www.phoenixcontact.com/us/products/1646162>



Metal screw connection with strain relief clamp, thread length: 8 mm, cable sealing area: 18 - 27 mm, clamping area: 19 - 30 mm, SW 40, screw connection: M32

HC-B 10-TMB-100/O1STM32G-EEE - Housing

1460367

<https://www.phoenixcontact.com/us/products/1460367>

HC-M-KV-T-M32 - Cable gland

1646201

<https://www.phoenixcontact.com/us/products/1646201>

Metal screw connection with cable bend protection and strain relief, thread length: 8 mm, cable sealing area: 18 - 27 mm, clamping area: 20 - 30 mm, SW 40, screw connection: M32



REDUC-M-KV-M32/M25 - Reducing adapter

1647637

<https://www.phoenixcontact.com/us/products/1647637>

Reducing adapter, connecting thread: M32 x 1.5, color: silver, with O-ring



HC-B 10-TMB-100/O1STM32G-EEE - Housing



1460367

<https://www.phoenixcontact.com/us/products/1460367>

ENLAR-M-KV-M32/M40 - Extension adapter

1647682

<https://www.phoenixcontact.com/us/products/1647682>

Extension adapter, connecting thread: M32 x 1.5, color: silver, with O-ring



HC-M-BS-M32 - Screw plug

1645862

<https://www.phoenixcontact.com/us/products/1645862>

Screw plug, material for screw connection: Brass, nickel-plated, connecting thread: M32 x 1.5, color: silver



HC-B 10-TMB-100/O1STM32G-EEE - Housing



1460367

<https://www.phoenixcontact.com/us/products/1460367>

SF-BIT-HEXB 5-89 - Screw insert

1208911

<https://www.phoenixcontact.com/us/products/1208911>



Screw bit, hexagonal with ball head, E6.3-1/4" drive, size: Hex 5 x 89 mm, hardened, suitable for holder according to DIN 3126-F 6.3/ISO 1173

SF-M BH - Screwdriver

1212070

<https://www.phoenixcontact.com/us/products/1212070>



Bit screwdriver, with 1/4" quick-action chuck, handle length 119 mm, 2-component handle, with non-slip grip, suitable for bits according to DIN 3126-C 6.3 and E 6.3/ISO 1173, magnetic

Phoenix Contact 2024 © - all rights reserved
<https://www.phoenixcontact.com>

Phoenix Contact USA
586 Fulling Mill Road
Middletown, PA 17057, United States
(+717) 944-1300
info@phoenixcon.com