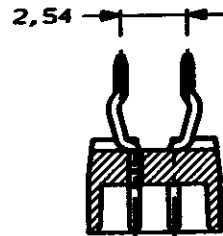
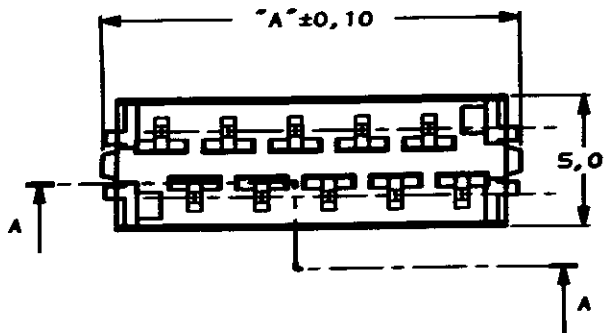
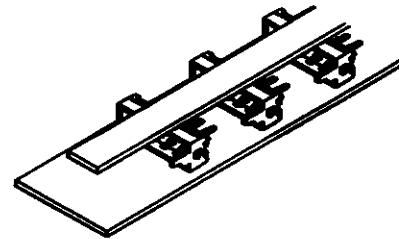


DO NOT SCALE
DIMENSIONS IN mm

METRIC

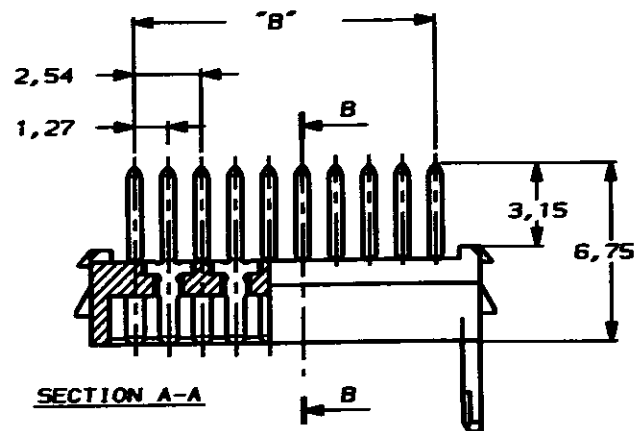


SECTION B-B

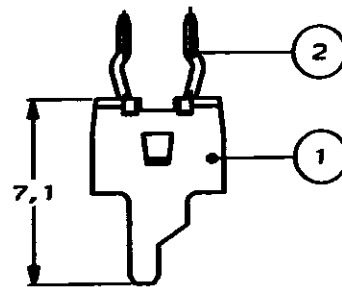


DETAIL A

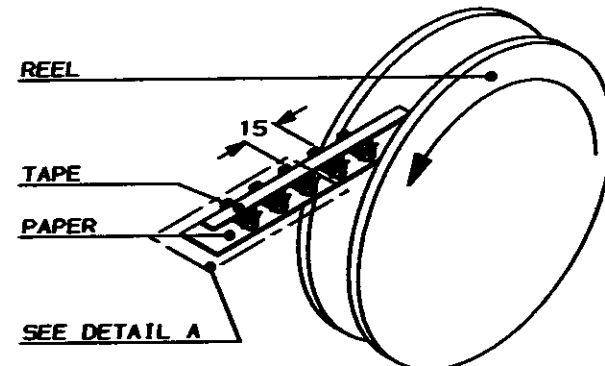
PARTNUMBER	NUMBER OF POSITIONS	DIMENSION	
		"A"	"B"
0-215464-4	4	8,3	3,81
0-215464-6	6	10,8	6,35
0-215464-8	8	13,4	8,89
1-215464-0	10	15,9	11,43
1-215464-2	12	18,5	13,97
1-215464-4	14	21,0	16,51
1-215464-6	16	23,5	19,05
1-215464-8	18	26,1	21,59
2-215464-0	20	28,6	24,13



SECTION A-A



DEREELING DIRECTION AND POSITION OF CONNECTORS



2500 CONNECTORS PER REEL FOR ALL PARTNUMBERS
FOR 250 CONNECTORS PER BOX SEE SHEET 2

FOR REFERENCE ONLY
WILL NOT BE UP - DATED

THIS DRAWING IS
PRELIMINARY

DESCRIPTION	MATERIAL	ITEM
MALE CONTACT	PHBR. PLATING; TIN-LEAD 93-7	2
HOUSING	GLASS FILLED POLYESTER (RED)	1

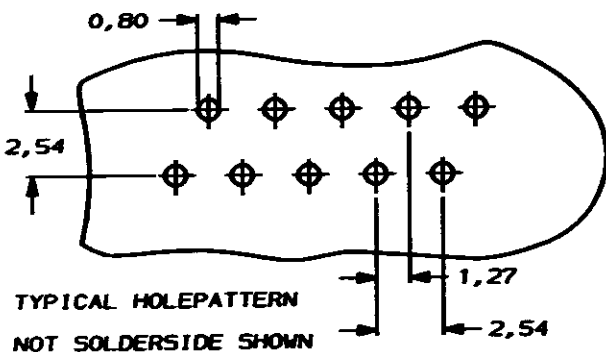
CUSTOMER DRAWING

AMP

AMP-HOLLAND B.V.
's-Hertogenbosch, The Netherlands.

FOR REFERENCE ONLY
WILL NOT BE UPDATED

THIS DRAWING IS UNPUBLISHED. RELEASED FOR PUBLICATION.
© COPYRIGHT 1991 BY AMP-HOLLAND B.V.
ALL INTERNATIONAL RIGHTS RESERVED.
AMP PRODUCTS MAY BE COVERED BY U.S. AND FOREIGN PATENTS AND/OR PATENTS PENDING.



TYPICAL HOLEPATTERN
NOT SOLDERSIDE SHOWN

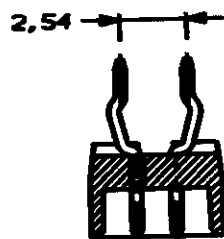
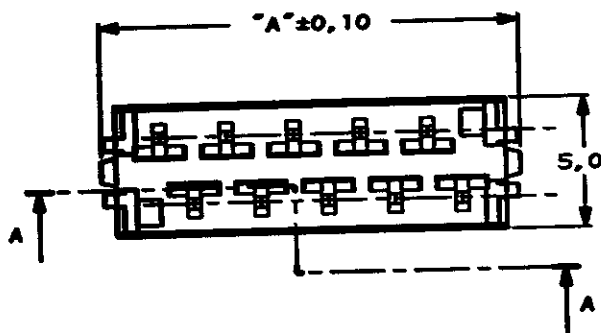
REV.	J	PRO1
SHEET	1	2

DR.	DATE	WIRE RANGE	NAME	REV. DATE
P. VAN TONGEREN	20-11-85	-	Micro-MaTch MALE-ON-BOARD	D M Y
CHK.	DATE	INSUL. RANGE	1,6mm P.C. BOARD, POLARIZED	5 4 91
M. KROON		-		REV. LTR.
APP.	DATE	SIZE	SHEET	DWG. No.
	14.6.91	A3	1 OF 2	C-215464

DO NOT SCALE
DIMENSIONS IN mm

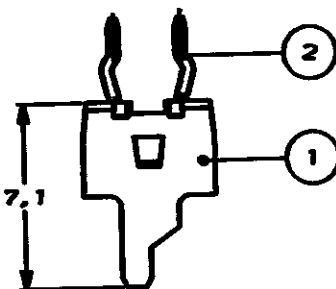
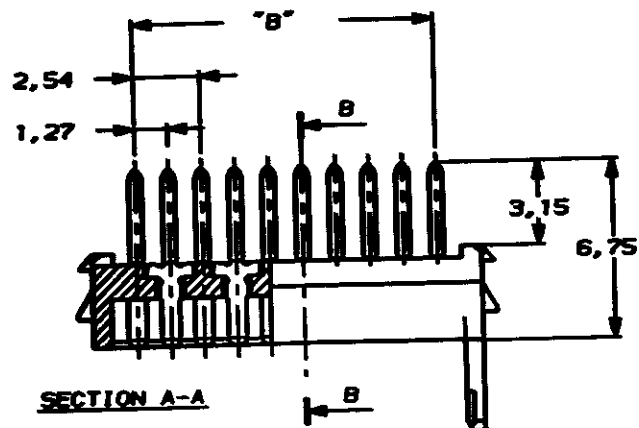
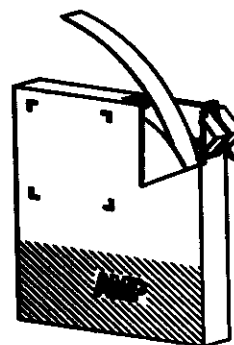
METRIC

THIRD ANGLE
PROJECTION

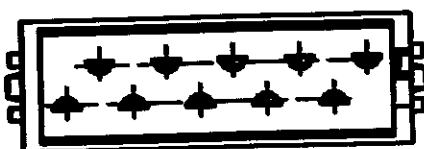


FOR REFERENCE ONLY
WILL NOT BE UP-DATED

NUMBER OF POSITIONS	PARTNUMBER MALE-ON-BOARD
4	7-215464-4
6	7-215464-6
8	7-215464-8
10	8-215464-0
12	8-215464-2
14	8-215464-4
16	8-215464-6
18	8-215464-8
20	9-215464-0

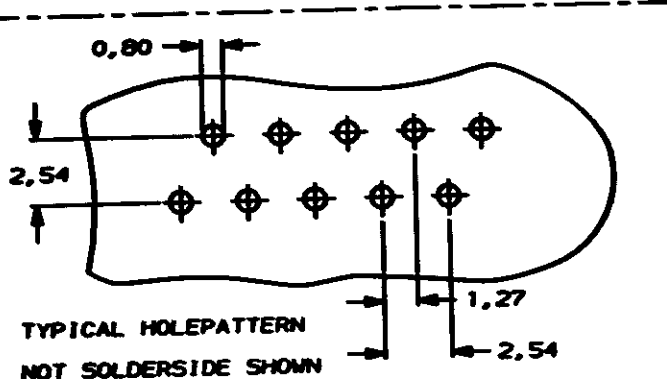


250 CONNECTORS PER BOX FOR ALL PARTNUMBERS.
FOR 2500 CONNECTORS PER REEL SEE SHEET 1.



THIS DRAWING IS
PRELIMINARY

DESCRIPTION	MATERIAL	ITEM
MALE CONTACT HOUSING	PHBR. PLATING, TIN-LEAD 93-7 GLASS FILLED POLYESTER (RED)	2 1



CUSTOMER DRAWING		AMP		AMP-HOLLAND B.V. 's-Hertogenbosch, The Netherlands.	
FOR REFERENCE ONLY WILL NOT BE UPDATED		THIS DRAWING IS UNPUBLISHED RELEASED FOR PUBLICATION			
© COPYRIGHT 1991 BY AMP-HOLLAND B.V. ALL INTERNATIONAL RIGHTS RESERVED. AMP PRODUCTS MAY BE COVERED BY U.S. AND FOREIGN PATENTS AND/OR PATENTS PENDING.		Micro-MaTch MALE-ON-BOARD 1,6mm P.C.BOARD, POLARIZED		REV. DATE D M Y 5 4 91	
DR. P. VAN TONGEN	DATE 05-04-81	WIRE RANGE	NAME	REV. LTR. PRO1	
CHK. H. KROON	DATE	INSUL. RANGE			
APP. [Signature]	DATE 1989	SIZE A3	SHEET 2 OF 2	Dwg. No. C-215464	

8 | 7 | 6 | 5 | 4 | 3 | 2 | 1