

**PLEASE CHECK WWW.MOLEX.COM FOR LATEST PART INFORMATION**

**Part Number:** **0190020034**  
**Status:** **Active**  
**Overview:** Standard Quick-Disconnect Terminals  
**Description:** Avikrimp Fully Insulated Quick Disconnect, Female, for 14-16 AWG Wire, Box

**Documents:**

[3D Model](#) [Product Specification PS-19902-013-001 \(PDF\)](#)  
[3D Model \(PDF\)](#) [Product Specification PS-19902-014-001 \(PDF\)](#)  
[Drawing \(PDF\)](#) [RoHS Certificate of Compliance \(PDF\)](#)  
[Product Specification PS-19902-011-001 \(PDF\)](#)

**Agency Certification**

CSA LR18689  
 UL E79133

**General**

Product Family Quick Disconnects  
 Series 19002  
 Crimp Quality Equipment Yes  
 Insulated Fully  
 Overview Standard Quick-Disconnect Terminals  
 Product Name Avikrimp  
 Type Quick Disconnect  
 UPC 800753027541

**Physical**

Barrel Type Closed  
 Color - Resin Blue  
 Flammability 94V-2  
 Gender Female  
 Glow-Wire Capable No  
 Insulation Nylon (PA)  
 Lock to Mating Part None  
 Material - Metal Brass  
 Material - Plating Mating Tin  
 Material - Plating Termination Tin  
 Net Weight 0.764/g  
 Orientation Straight  
 Packaging Type Bag  
 Polarized to Mating Part No  
 Tab Thickness 0.51mm  
 Tab Width 2.79mm  
 Temperature Range - Operating -65° to +105°C  
 Wire Insulation Diameter 3.94mm max.  
 Wire Size AWG 14, 16  
 Wire Size mm<sup>2</sup> 1.30-2.00

**Electrical**

Voltage - Maximum 300V

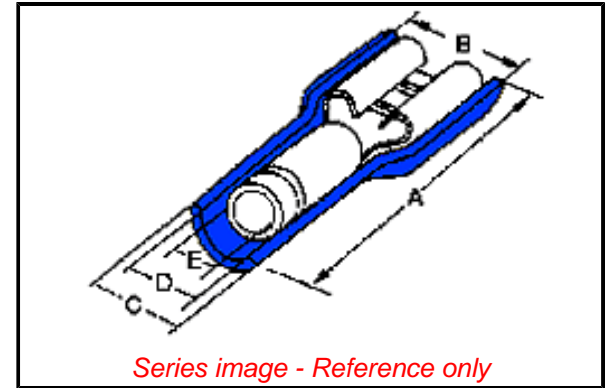
**Solder Process Data**

Lead-free Process Capability N/A

**Material Info**

Engineering Number BB-5277

**Reference - Drawing Numbers**



**EU ELV**

**Not Relevant**

**EU RoHS**

**Compliant**

**REACH SVHC**

Not Contained Per -  
 D(2020)9139-DC (19  
 Jan 2021)

**Halogen-Free**

**Status**

**Low-Halogen**

For more information, please visit [Contact US](#)

China ROHS

ELV

RoHS Phthalates

**China RoHS**

Green Image

Not Relevant

Not Contained

**Search Parts in this Series**

19002 Series

**Application Tooling | FAQ**

*Tooling specifications and manuals are found by selecting the products below. Crimp Height Specifications are then contained in the Application Tooling Specification document.*

**Global**

**Description**

**Product #**

PremiumGrade 640011100

Hand Crimp Tool  
 for Avikrimp Female  
 Fully Insulated  
 Quick Disconnect  
 Terminals, 14-16  
 AWG

Crimp Head for the 640051100

AT-200 Pneumatic  
 Hand Tool

Product Specification

Sales Drawing

PS-19902-011-001, PS-19902-013-001,  
PS-19902-014-001  
SD-19002-004-001

This document was generated on 06/14/2021

**PLEASE CHECK [WWW.MOLEX.COM](http://WWW.MOLEX.COM) FOR LATEST PART INFORMATION**

# Mouser Electronics

Authorized Distributor

Click to View Pricing, Inventory, Delivery & Lifecycle Information:

[Molex:](#)

[19002-0034](#)