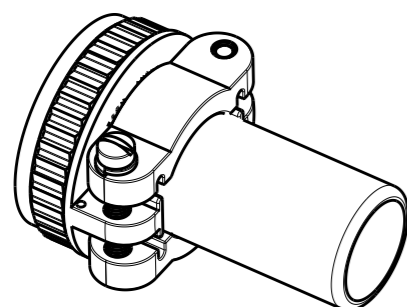
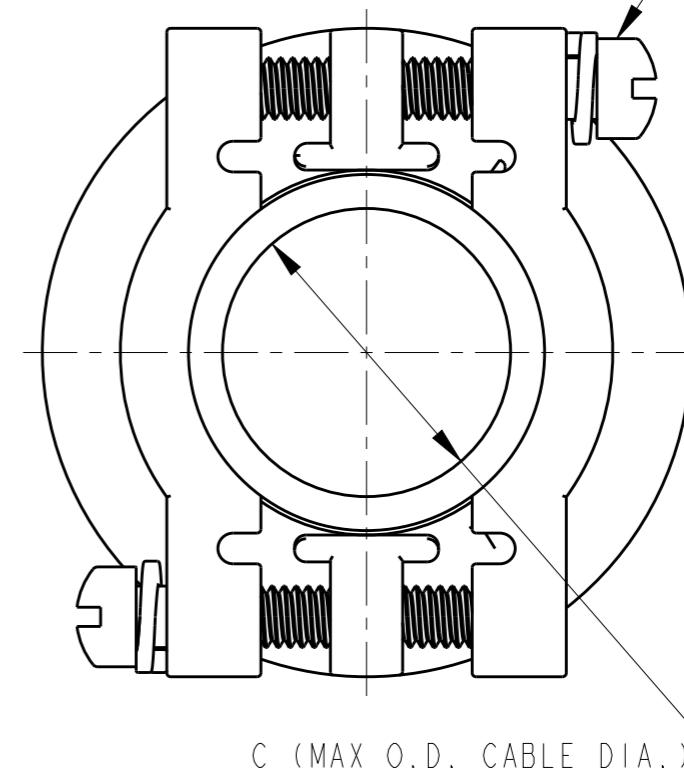
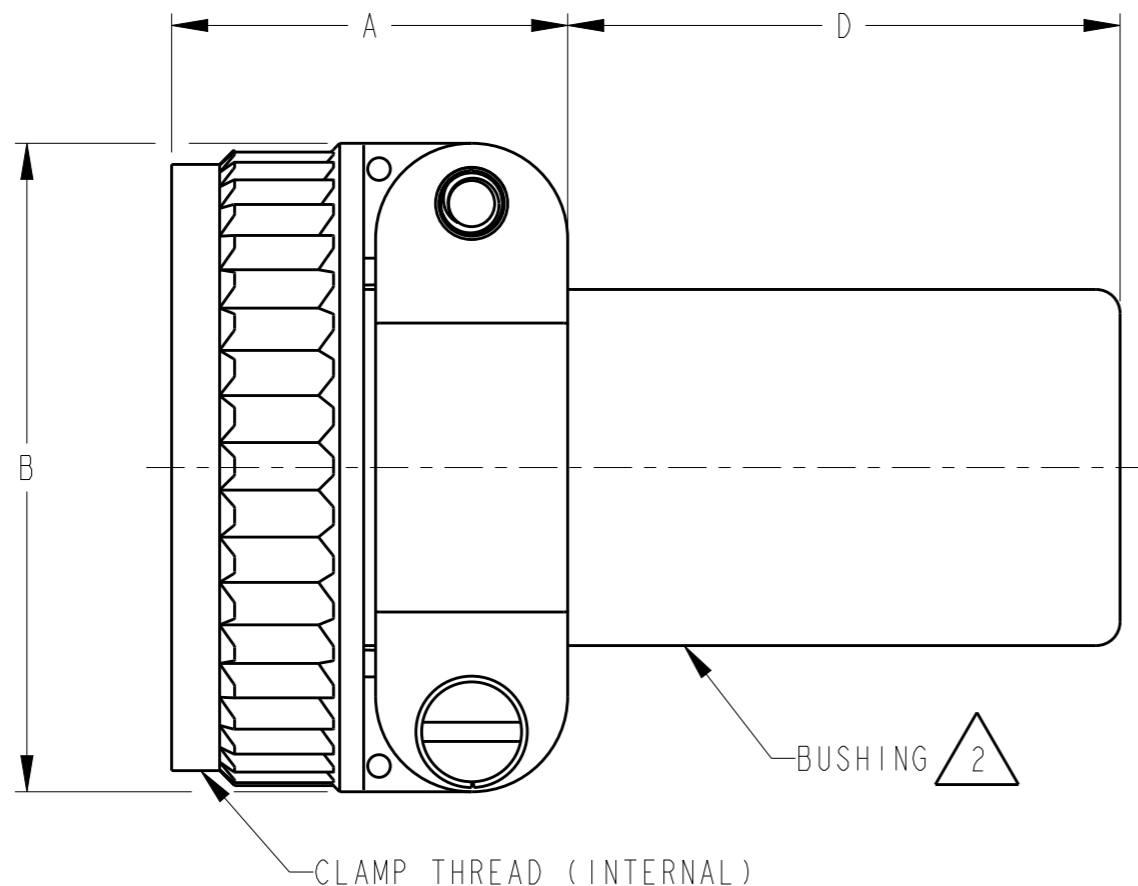


THIS DRAWING IS UNPUBLISHED  
 RELEASED FOR PUBLICATION 2015  
 © COPYRIGHT 2001 BY TE CONNECTIVITY ALL RIGHTS RESERVED.

LOC	DIST	REVISIONS			
P	LTR	DESCRIPTION	DATE	DWN	APVD
	E	REVISED PER E.O. P21466	01OCT2012	IG	DM
	E1	REVISED PER ECO-13-015566	03OCT2013	AM	DM
	E2	REVISED PER ECO-15-006803	08JUN2015	JA	DM
	F	REVISED PER PCN E-17-004158	22MAR2017	JA	DM



8-32 X 1 1/8 2A-RH  
 SLOTTED FILLISTER HEAD STAINLESS STEEL SCREW  
 WITH STAINLESS STEEL LOCK WASHER (2 REQ'D)  
 MAX TORQUE 17 IN-LB [1.92 N-M]



XX SIZE	TE INTERNAL PART NO.	DEUTSCH PART NO.	BUSHINGS (NEOPRENE) 2	CLAMP THREAD CLASS 2B	A ±.050 [1.27]	B ±.025 [.635]	C ±.050 [1.27]	D MAX.
18	0409-201-1800	0409-201-1800	1 EACH SUPPLIED	1.188-18 UNEF	.938 [23.82]	1.469 [37.31]	.760 [19.30]	1.800 [45.72]
24	0409-201-2400	0409-201-2400	2 EACH SUPPLIED	1.438-18 UNEF	1.031 [26.19]	1.688 [42.88]	.948 [24.08]	1.700 [43.18]

3. THE OPERATING TEMPERATURE IS -55°C TO 125°C.

2 BUSHINGS ARE SHIPPED LOOSE WITH CABLE CLAMP ASSEMBLIES IN A SEALED PLASTIC BAG. PART NUMBER LABEL AND COUNTRY OF ORIGIN, IF OTHER THAN USA, ON THE BAG.

1. FINISH: TIN OVER NICKEL PLATE. MAY DISCOLOR.

NOTES:

THIS DRAWING IS A CONTROLLED DOCUMENT.

DIMENSIONS: INCHES [mm]		TOLERANCES UNLESS OTHERWISE SPECIFIED:	
	0 PLC ±	1 PLC ±	2 PLC ±
	3 PLC ±.025 [0.64]	4 PLC ±	ANGLES ±0°30'0"
MATERIAL N/A	FINISH N/A		

DWN	02MAR2001
CHK	ALEX ROLINSKI
APVD	08JUN2004
	JAIME C. APOSTOL
	14JUN2004
	ROBIN REED
PRODUCT SPEC	N/A
APPLICATION SPEC	N/A
WEIGHT	
CUSTOMER DRAWING	

<b>STE</b> TE Connectivity			
NAME CABLE CLAMP HD30 SERIES			
SIZE	CAGE CODE	DRAWING NO	RESTRICTED TO
A3	4AFU8	0409-201-XX00	
SCALE 2:1		SHEET 1 OF 1	REV F

# Mouser Electronics

Authorized Distributor

Click to View Pricing, Inventory, Delivery & Lifecycle Information:

[TE Connectivity:](#)

[0409-201-2400](#)