

**PLEASE CHECK WWW.MOLEX.COM FOR LATEST PART INFORMATION**

**Part Number:** **0190170043**  
**Status:** **Active**  
**Overview:** Standard Quick-Disconnect Terminals  
**Description:** InsulKrimp Quick Disconnect, Female, for 14-16 (2.00-1.30mm<sup>2</sup>) Wire, Box, Tab 5.21 x 0.51mm

**Documents:**

<a href="#">3D Model</a>	<a href="#">Product Specification PS-19902-011-001 (PDF)</a>
<a href="#">Drawing (PDF)</a>	<a href="#">Product Specification PS-19902-013-001 (PDF)</a>
<a href="#">3D Model (PDF)</a>	<a href="#">RoHS Certificate of Compliance (PDF)</a>

**General**

Product Family	Quick Disconnects
Series	19017
Crimp Quality Equipment	Yes
Insulated	Partial
Overview	<a href="#">Standard Quick-Disconnect Terminals</a>
Product Name	InsulKrimp
Type	Quick Disconnect
UPC	800753036260

**Physical**

Barrel Type	Closed
Color - Resin	Blue
Gender	Female
Glow-Wire Capable	No
Insulation	PVC
Lock to Mating Part	None
Material - Metal	Brass
Material - Plating Mating	Tin
Material - Plating Termination	Tin
Net Weight	0.595/g
Orientation	Straight
Packaging Type	Bag
Polarized to Mating Part	No
Tab Thickness	0.51mm
Tab Width	5.21mm
Temperature Range - Operating	-50° to +105°C
Wire Insulation Diameter	3.70mm max.
Wire Size AWG	14, 16
Wire Size mm <sup>2</sup>	1.30-2.00

**Electrical**

Voltage - Maximum	600V
-------------------	------

**Solder Process Data**

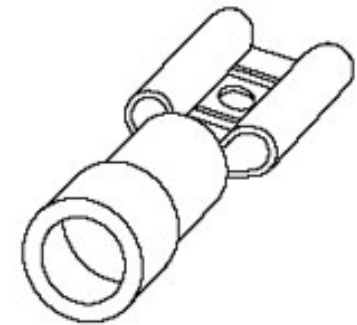
Lead-freeProcess Capability	N/A
-----------------------------	-----

**Material Info**

Engineering Number	BB-2191
--------------------	---------

**Reference - Drawing Numbers**

Product Specification	PS-19902-011-001, PS-19902-013-001
Sales Drawing	SD-19017-003



Series image - Reference only

**EU ELV**

**Not Relevant**

**EU RoHS**

**Compliant**

**REACH SVHC**

Not Contained Per  
-ED/88/2018 (15  
January 2019)

**Halogen-Free**

**Status**

**Not Low-Halogen**

For more information, please visit [Contact US](#)

China ROHS

ELV

RoHS Phthalates

**China RoHS**

Green Image

Not Relevant

Not Contained

**Search Parts in this Series**

19017 Series

**Application Tooling | FAQ**

*Tooling specifications and manuals are found by selecting the products below. Crimp Height Specifications are then contained in the Application Tooling Specification document.*

**Global**

Description	Product #
PremiumGrade Hand Crimp Tool for InsulKrimp Quick Disconnect Terminals, 10-22 AWG	<a href="#">640010200</a>
Crimp Head for the AT-200 Pneumatic Hand Tool	<a href="#">640050200</a>
ServiceGrade Hand Crimp Tool - Ratchet	<a href="#">640160037</a>

**PLEASE CHECK [WWW.MOLEX.COM](http://WWW.MOLEX.COM) FOR LATEST PART INFORMATION**

# Mouser Electronics

Authorized Distributor

Click to View Pricing, Inventory, Delivery & Lifecycle Information:

[Molex:](#)

[19017-0043](#)