



# PCA9515

I<sup>2</sup>C-bus repeater

Rev. 09 — 23 April 2009

Product data sheet

## 1. General description

The PCA9515 is a BiCMOS integrated circuit intended for application in I<sup>2</sup>C-bus and SMBus systems.

While retaining all the operating modes and features of the I<sup>2</sup>C-bus system, it permits extension of the I<sup>2</sup>C-bus by buffering both the data (SDAn) and the clock (SCLn) lines, thus enabling two buses of 400 pF.

The I<sup>2</sup>C-bus capacitance limit of 400 pF restricts the number of devices and bus length. Using the PCA9515 enables the system designer to isolate two halves of a bus, thus more devices or longer length can be accommodated. It can also be used to run two buses, one at 5 V and the other at 3.3 V or a 400 kHz and 100 kHz bus, where the 100 kHz bus is isolated when 400 kHz operation of the other is required.

**Two or more PCA9515s cannot be put in series.** The PCA9515 design does not allow this configuration. Since there is no direction pin, slightly different 'legal' low voltage levels are used to avoid lock-up conditions between the input and the output. A 'regular low' applied at the input of a PCA9515 will be propagated as a 'buffered low' with a slightly higher value. When this 'buffered low' is applied to another PCA9515, PCA9516A, or PCA9518A in series, the second PCA9515, PCA9516A, or PCA9518A will not recognize it as a 'regular low' and will not propagate it as a 'buffered low' again. The PCA9510A/9511A/9513A/9514A and PCA9512A cannot be used in series with the PCA9515, PCA9516A, or PCA9518A but can be used in series with themselves since they use shifting instead of static offsets to avoid lock-up conditions.

The PCA9515 SCLn/SDAn C<sub>i</sub> is about 200 pF versus the normal < 10 pF when V<sub>CC</sub> = 0 V. The newer PCA9515A should be used in applications where power is secured to the repeater but an active bus remains on either set of SCLn/SDAn pins to prevent this increase in bus loading. Additionally, the PCA9515A has a wider voltage range of 2.3 V to 3.6 V and can be used in applications with lower voltage supply constraints.

## 2. Features

- 2 channel, bidirectional buffer
- I<sup>2</sup>C-bus and SMBus compatible
- Active HIGH repeater enable input
- Open-drain input/outputs
- Lock-up free operation
- Supports arbitration and clock stretching across the repeater
- Accommodates Standard-mode and Fast-mode I<sup>2</sup>C-bus devices and multiple masters
- Powered-off high-impedance I<sup>2</sup>C-bus pins
- Operating supply voltage range of 3.0 V to 3.6 V



- 5.5 V tolerant I<sup>2</sup>C-bus (SCLn, SDA<sub>n</sub>) and enable (EN) pins
- 0 Hz to 400 kHz clock frequency<sup>1</sup>
- ESD protection exceeds 2000 V HBM per JESD22-A114, 200 V MM per JESD22-A115, and 1000 V CDM per JESD22-C101
- Latch-up testing is done to JEDEC Standard JESD78 which exceeds 100 mA
- Packages offered: SO8 and TSSOP8 (MSOP8)

### 3. Ordering information

Table 1. Ordering information

Type number	Package		Version
	Name	Description	
PCA9515D	SO8	plastic small outline package; 8 leads; body width 3.9 mm	SOT96-1
PCA9515DP	TSSOP8 <sup>[1]</sup>	plastic thin shrink small outline package; 8 leads; body width 3 mm	SOT505-1

[1] Also known as MSOP8.

#### 3.1 Ordering options

Table 2. Ordering options

Type number	Topside mark	Temperature range
PCA9515D	PCA9515	T <sub>amb</sub> = -40 °C to +85 °C
PCA9515DP	9515	T <sub>amb</sub> = -40 °C to +85 °C

### 4. Block diagram

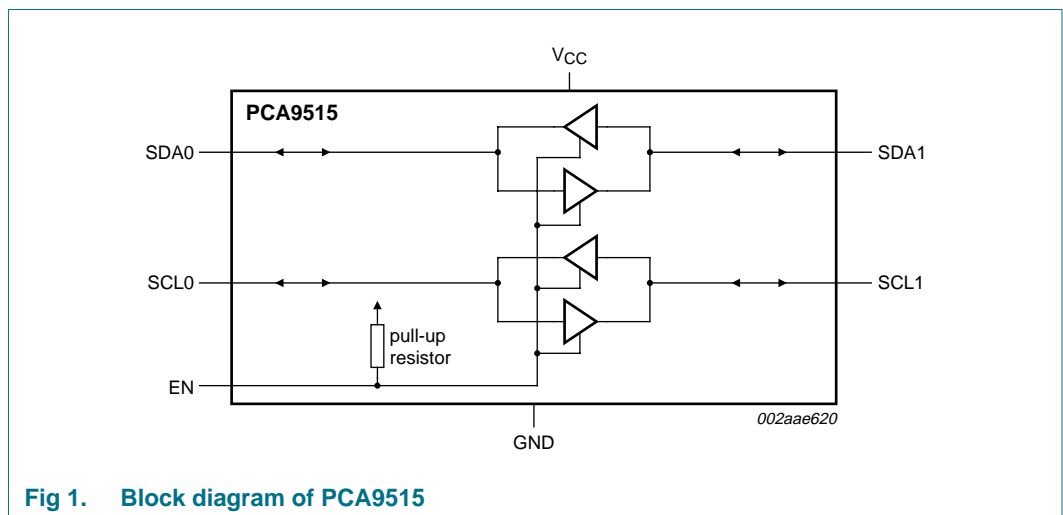


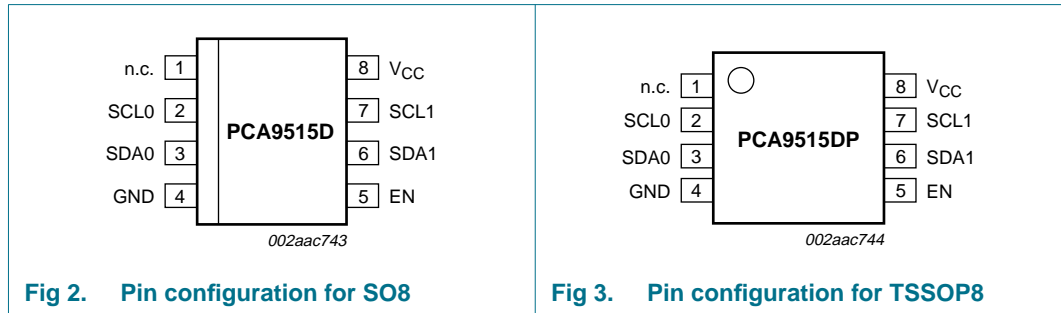
Fig 1. Block diagram of PCA9515

The output pull-down of each internal buffer is set for approximately 0.5 V, while the input threshold of each internal buffer is set about 0.07 V lower, when the output is internally driven LOW. This prevents a lock-up condition from occurring.

1. The maximum system operating frequency may be less than 400 kHz because of the delays added by the repeater.

## 5. Pinning information

### 5.1 Pinning



### 5.2 Pin description

Table 3. Pin description

Symbol	Pin	Description
n.c.	1	not connected
SCL0	2	serial clock bus 0
SDA0	3	serial data bus 0
GND	4	supply ground
EN	5	active HIGH repeater enable input
SDA1	6	serial data bus 1
SCL1	7	serial clock bus 1
V <sub>CC</sub>	8	supply power

## 6. Functional description

The PCA9515 BiCMOS integrated circuit contains two identical buffer circuits which enable I<sup>2</sup>C-bus and similar bus systems to be extended without degradation of system performance. (Refer to [Figure 1 “Block diagram of PCA9515”](#).)

The PCA9515 BiCMOS integrated circuit contains two bidirectional open-drain buffers specifically designed to support the standard low-level-contention arbitration of the I<sup>2</sup>C-bus. Except during arbitration or clock stretching, the PCA9515 acts like a pair of non-inverting, open-drain buffers, one for SDA and one for SCL.

### 6.1 Enable

The EN pin is active HIGH with an internal pull-up and allows the user to select when the repeater is active. This can be used to isolate a badly behaved slave on power-up until after the system power-up reset. It should never change state during an I<sup>2</sup>C-bus operation because disabling during a bus operation will hang the bus and enabling part way through a bus cycle could confuse the I<sup>2</sup>C-bus parts being enabled.

The enable pin (EN) should only change state when the global bus and the repeater port are in an idle state to prevent system failures.

### 6.2 I<sup>2</sup>C-bus systems

As with the standard I<sup>2</sup>C-bus system, pull-up resistors are required to provide the logic HIGH levels on the buffered bus. (Standard open-collector configuration of the I<sup>2</sup>C-bus.) The size of these pull-up resistors depends on the system, but each side of the repeater must have a pull-up resistor. This part is designed to work with Standard-mode and Fast-mode I<sup>2</sup>C-bus devices in addition to SMBus devices. Standard-mode I<sup>2</sup>C-bus devices only specify 3 mA output drive; this limits the termination current to 3 mA in a generic I<sup>2</sup>C-bus system where Standard-mode devices and multiple masters are possible. Under certain conditions, higher termination currents can be used. Please see application note *AN255, “I<sup>2</sup>C/SMBus Repeaters, Hubs and Expanders”* for additional information on sizing resistors and precautions when using more than one PCA9515 in a system or using the PCA9515 in conjunction with the P82B96.

## 7. Application design-in information

A typical application is shown in [Figure 4](#). In this example, the system master is running on a 3.3 V I<sup>2</sup>C-bus while the slave is connected to a 5 V bus. Both buses run at 100 kHz unless the slave bus is isolated and then the master bus can run at 400 kHz. Master devices can be placed on either bus.

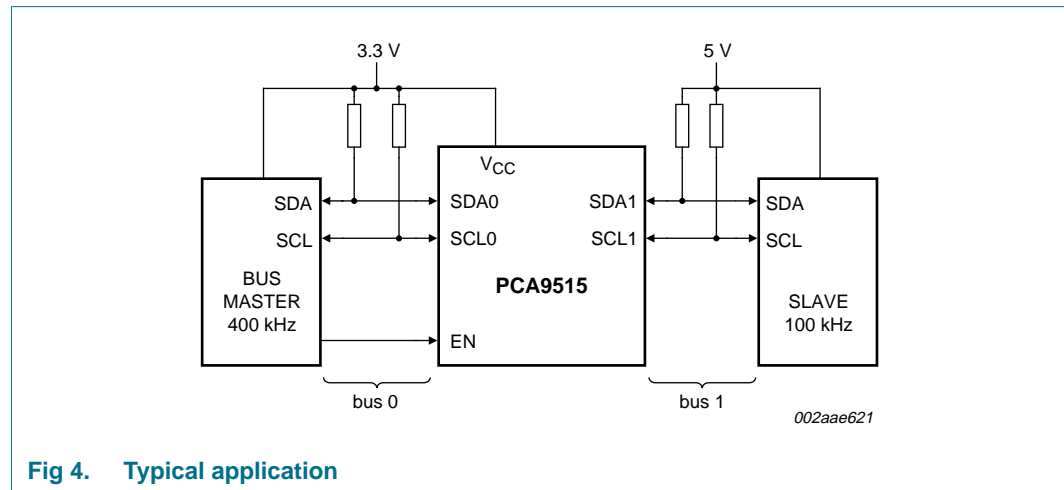


Fig 4. Typical application

The PCA9515 is 5 V tolerant so it does not require any additional circuitry to translate between the different bus voltages.

When one side of the PCA9515 is pulled LOW by a device on the I<sup>2</sup>C-bus, a CMOS hysteresis type input detects the falling edge and causes an internal driver on the other side to turn on, thus causing the other side to also go LOW. The side driven LOW by the PCA9515 will typically be at  $V_{OL} = 0.5$  V.

In order to illustrate what would be seen in a typical application, refer to [Figure 5](#) and [Figure 6](#). If the bus master in [Figure 4](#) were to write to the slave through the PCA9515, we would see the waveform shown in [Figure 5](#) on Bus 0. This looks like a normal I<sup>2</sup>C-bus transmission until the falling edge of the 8<sup>th</sup> clock pulse. At that point, the master releases the data line (SDA) while the slave pulls it LOW through the PCA9515. Because the  $V_{OL}$  of the PCA9515 is typically around 0.5 V, a step in the SDA will be seen. After the master has transmitted the 9<sup>th</sup> clock pulse, the slave releases the data line.

On the Bus 1 side of the PCA9515, the clock and data lines would have a positive offset from ground equal to the  $V_{OL}$  of the PCA9515. After the 8<sup>th</sup> clock pulse, the data line will be pulled to the  $V_{OL}$  of the slave device that is very close to ground in our example.

It is important to note that any arbitration or clock stretching events on Bus 1 require that the  $V_{OL}$  of the devices on Bus 1 be 70 mV below the  $V_{OL}$  of the PCA9515 (see  $V_{OL} - V_{ILC}$  in [Section 9 "Static characteristics"](#)) to be recognized by the PCA9515 and then transmitted to Bus 0.

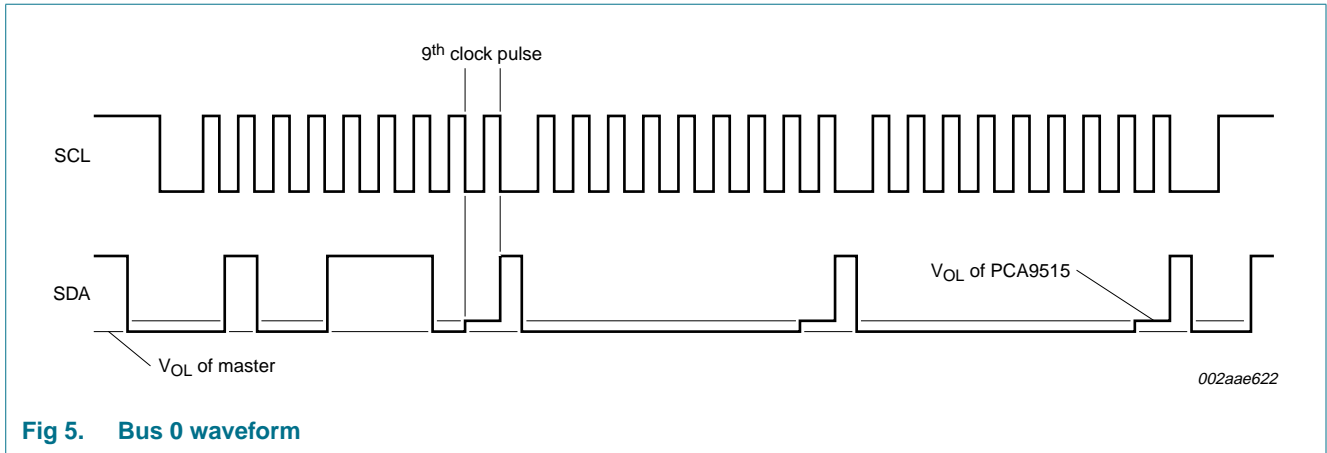


Fig 5. Bus 0 waveform

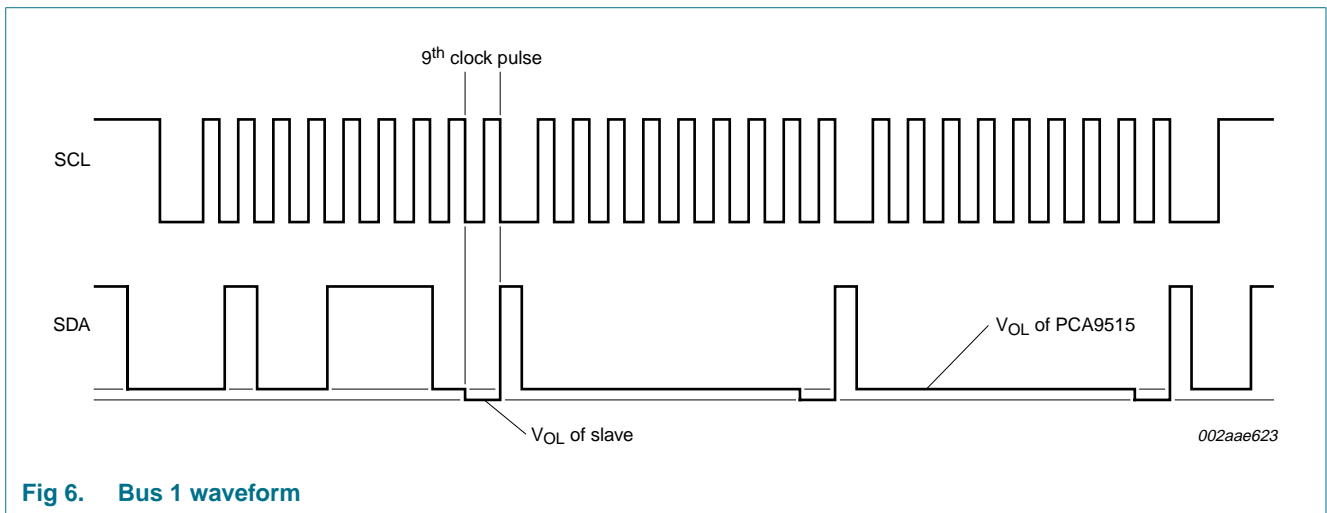


Fig 6. Bus 1 waveform

## 8. Limiting values

**Table 4. Limiting values**

In accordance with the Absolute Maximum Rating System (IEC 60134).  
 Voltages with respect to GND.

Symbol	Parameter	Conditions	Min	Max	Unit
V <sub>CC</sub>	supply voltage		-0.5	+7	V
V <sub>bus</sub>	voltage range I <sup>2</sup> C-bus	SCL or SDA	-0.5	+7	V
I	DC current	any pin	-	50	mA
P <sub>tot</sub>	total power dissipation		-	100	mW
T <sub>stg</sub>	storage temperature		-55	+125	°C
T <sub>amb</sub>	ambient temperature	operating	-40	+85	°C

## 9. Static characteristics

**Table 5. Static characteristics**

$V_{CC} = 3.0\text{ V to }3.6\text{ V}$ ;  $GND = 0\text{ V}$ ;  $T_{amb} = -40\text{ }^{\circ}\text{C to }+85\text{ }^{\circ}\text{C}$ ; unless otherwise specified.

Symbol	Parameter	Conditions	Min	Typ	Max	Unit
<b>Supplies</b>						
$V_{CC}$	supply voltage		3.0	3.3	3.6	V
$I_{CCH}$	HIGH-level supply current	both channels HIGH; $V_{CC} = 3.6\text{ V}$ ; $SDAn = SCLn = V_{CC}$	-	2.3	5	mA
$I_{CCL}$	LOW-level supply current	both channels LOW; $V_{CC} = 3.6\text{ V}$ ; one SDA and one SCL = GND, other SDA and SCL open	-	2.3	5	mA
$I_{CCLc}$	contention LOW-level supply current	$V_{CC} = 3.6\text{ V}$ ; $SDAn = SCLn = GND$	-	2.1	5	mA
<b>Input SCLn; input/output SDAn</b>						
$V_{IH}$	HIGH-level input voltage		$0.7V_{CC}$	-	5.5	V
$V_{IL}$	LOW-level input voltage		[1] -0.5	-	$+0.3V_{CC}$	V
$V_{ILc}$	contention LOW-level input voltage		[1] -0.5	-	+0.4	V
$V_{IK}$	input clamping voltage	$I_I = -18\text{ mA}$	-	-	-1.2	V
$I_{LI}$	input leakage current	$V_I = 3.6\text{ V}$	-1	-	+1	$\mu\text{A}$
$I_{IL}$	LOW-level input current	SDA, SCL; $V_I = 0.2\text{ V}$	-	-	10	$\mu\text{A}$
$V_{OL}$	LOW-level output voltage	$I_{OL} = 0\text{ mA or }6\text{ mA}$	0.47	0.52	0.6	V
$V_{OL} - V_{ILc}$	difference between LOW-level output and LOW-level input voltage contention	guaranteed by design	-	-	70	mV
$I_{LOH}$	HIGH-level output leakage current	$V_O = 3.6\text{ V}$	-	-	10	$\mu\text{A}$
$C_i$	input capacitance	$V_I = 3\text{ V or }0\text{ V}$	-	6	7[2]	pF
<b>Enable input EN</b>						
$V_{IL}$	LOW-level input voltage		-0.5	-	+0.8	V
$V_{IH}$	HIGH-level input voltage		2.0	-	5.5	V
$I_{IL}$	LOW-level input current	EN; $V_I = 0.2\text{ V}$	-	10	30	$\mu\text{A}$
$I_{LI}$	input leakage current		-1	-	+1	$\mu\text{A}$
$C_i$	input capacitance	$V_I = 3.0\text{ V or }0\text{ V}$	-	6	7	pF

[1]  $V_{IL}$  specification is for the first LOW level seen by the SDAn/SCLn lines.  $V_{ILc}$  is for the second and subsequent LOW levels seen by the SDAn/SCLn lines.

[2] The SCLn/SDAn  $C_i$  is about 200 pF when  $V_{CC} = 0\text{ V}$ . The PCA9515A should be used in applications where power is secured to the repeater but an active bus remains on either set of SCLn/SDAn pins.

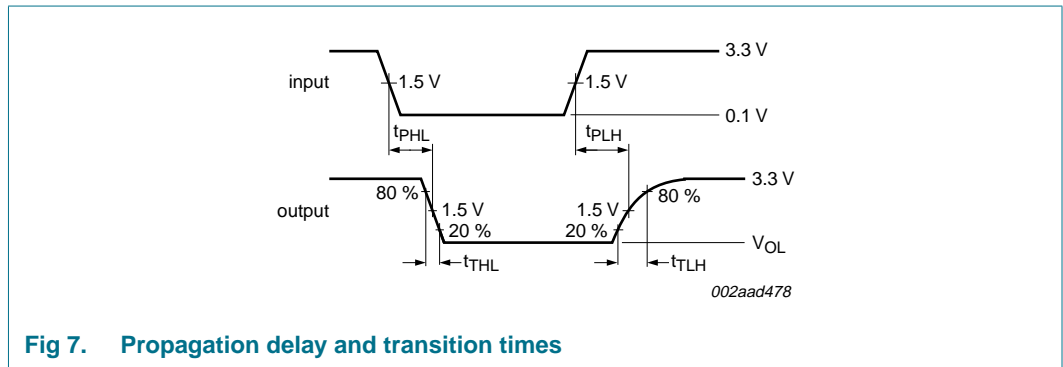
## 10. Dynamic characteristics

**Table 6. Dynamic characteristics**

$V_{CC} = 3.0\text{ V to }3.6\text{ V}$ ;  $GND = 0\text{ V}$ ;  $T_{amb} = -40\text{ }^{\circ}\text{C to }+85\text{ }^{\circ}\text{C}$ ; unless otherwise specified.

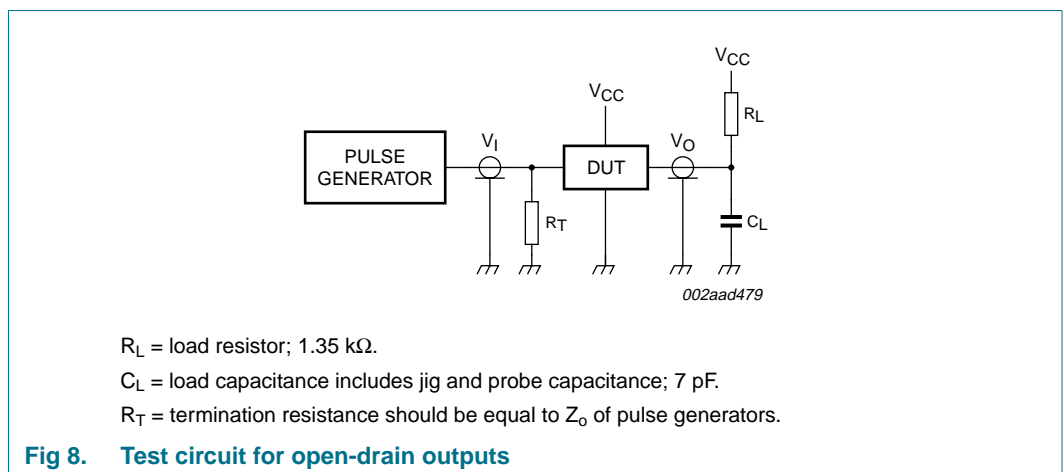
Symbol	Parameter	Conditions	Min	Typ	Max	Unit
$t_{PHL}$	HIGH to LOW propagation delay	<a href="#">Figure 7</a>	57	98	170	ns
$t_{PLH}$	LOW to HIGH propagation delay	<a href="#">Figure 7</a>	33	55	78	ns
$t_{THL}$	HIGH to LOW output transition time	<a href="#">Figure 7</a>	-	67	-	ns
$t_{TLH}$	LOW to HIGH output transition time	<a href="#">Figure 7</a>	[1]	135	-	ns
$t_{su}$	set-up time	EN to START condition	100	-	-	ns
$t_h$	hold time	EN after STOP condition	100	-	-	ns

[1] The  $t_{TLH}$  transition time is specified with loads of 1.35 k $\Omega$  pull-up resistance and 7 pF load capacitance, plus an additional 50 pF load capacitance. Different load resistance and capacitance will alter the RC time constant, thereby changing the propagation delay and transition times.



**Fig 7. Propagation delay and transition times**

## 11. Test information



**Fig 8. Test circuit for open-drain outputs**



12. Package outline

SO8: plastic small outline package; 8 leads; body width 3.9 mm

SOT96-1



Fig 9. Package outline SOT96-1 (SO8)

TSSOP8: plastic thin shrink small outline package; 8 leads; body width 3 mm

SOT505-1



Fig 10. Package outline SOT505-1 (TSSOP8)

## 13. Soldering of SMD packages

This text provides a very brief insight into a complex technology. A more in-depth account of soldering ICs can be found in Application Note *AN10365 "Surface mount reflow soldering description"*.

### 13.1 Introduction to soldering

Soldering is one of the most common methods through which packages are attached to Printed Circuit Boards (PCBs), to form electrical circuits. The soldered joint provides both the mechanical and the electrical connection. There is no single soldering method that is ideal for all IC packages. Wave soldering is often preferred when through-hole and Surface Mount Devices (SMDs) are mixed on one printed wiring board; however, it is not suitable for fine pitch SMDs. Reflow soldering is ideal for the small pitches and high densities that come with increased miniaturization.

### 13.2 Wave and reflow soldering

Wave soldering is a joining technology in which the joints are made by solder coming from a standing wave of liquid solder. The wave soldering process is suitable for the following:

- Through-hole components
- Leaded or leadless SMDs, which are glued to the surface of the printed circuit board

Not all SMDs can be wave soldered. Packages with solder balls, and some leadless packages which have solder lands underneath the body, cannot be wave soldered. Also, leaded SMDs with leads having a pitch smaller than ~0.6 mm cannot be wave soldered, due to an increased probability of bridging.

The reflow soldering process involves applying solder paste to a board, followed by component placement and exposure to a temperature profile. Leaded packages, packages with solder balls, and leadless packages are all reflow solderable.

Key characteristics in both wave and reflow soldering are:

- Board specifications, including the board finish, solder masks and vias
- Package footprints, including solder thieves and orientation
- The moisture sensitivity level of the packages
- Package placement
- Inspection and repair
- Lead-free soldering versus SnPb soldering

### 13.3 Wave soldering

Key characteristics in wave soldering are:

- Process issues, such as application of adhesive and flux, clinching of leads, board transport, the solder wave parameters, and the time during which components are exposed to the wave
- Solder bath specifications, including temperature and impurities

### 13.4 Reflow soldering

Key characteristics in reflow soldering are:

- Lead-free versus SnPb soldering; note that a lead-free reflow process usually leads to higher minimum peak temperatures (see [Figure 11](#)) than a SnPb process, thus reducing the process window
- Solder paste printing issues including smearing, release, and adjusting the process window for a mix of large and small components on one board
- Reflow temperature profile; this profile includes preheat, reflow (in which the board is heated to the peak temperature) and cooling down. It is imperative that the peak temperature is high enough for the solder to make reliable solder joints (a solder paste characteristic). In addition, the peak temperature must be low enough that the packages and/or boards are not damaged. The peak temperature of the package depends on package thickness and volume and is classified in accordance with [Table 7](#) and [8](#)

**Table 7. SnPb eutectic process (from J-STD-020C)**

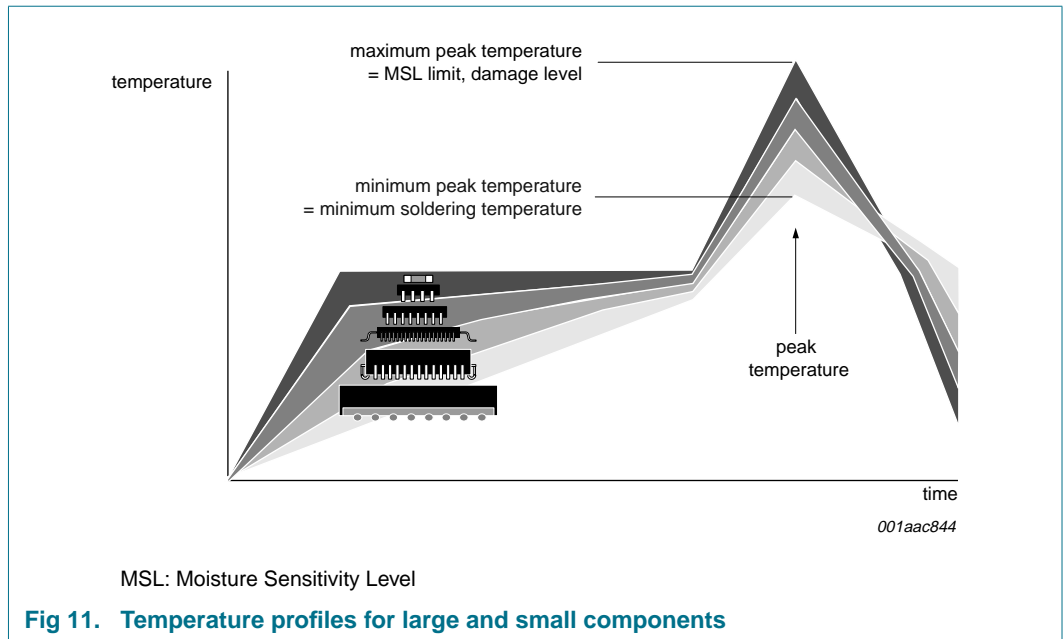
Package thickness (mm)	Package reflow temperature (°C)	
	Volume (mm <sup>3</sup> )	
	< 350	≥ 350
< 2.5	235	220
≥ 2.5	220	220

**Table 8. Lead-free process (from J-STD-020C)**

Package thickness (mm)	Package reflow temperature (°C)		
	Volume (mm <sup>3</sup> )		
	< 350	350 to 2000	> 2000
< 1.6	260	260	260
1.6 to 2.5	260	250	245
> 2.5	250	245	245

Moisture sensitivity precautions, as indicated on the packing, must be respected at all times.

Studies have shown that small packages reach higher temperatures during reflow soldering, see [Figure 11](#).



For further information on temperature profiles, refer to Application Note AN10365 “Surface mount reflow soldering description”.

## 14. Abbreviations

**Table 9. Abbreviations**

Acronym	Description
BiCMOS	Bipolar Complementary Metal-Oxide Semiconductor
CDM	Charged-Device Model
DUT	Device Under Test
ESD	ElectroStatic Discharge
HBM	Human Body Model
I <sup>2</sup> C-bus	Inter-Integrated Circuit bus
MM	Machine Model
RC	Resistor-Capacitor network
SMBus	System Management Bus

## 15. Revision history

**Table 10. Revision history**

Document ID	Release date	Data sheet status	Change notice	Supersedes
PCA9515_9	20090423	Product data sheet	-	PCA9519_8
Modifications:	<ul style="list-style-type: none"> <li>• The format of this data sheet has been redesigned to comply with the new identity guidelines of NXP Semiconductors.</li> <li>• Legal texts have been adapted to the new company name where appropriate.</li> <li>• <a href="#">Section 1 “General description”</a>: <ul style="list-style-type: none"> <li>– 4<sup>th</sup> paragraph: referenced part type numbers changed from “PCA951x” to “PCA951xA” (excludes PCA9515)</li> <li>– Added new 5<sup>th</sup> paragraph</li> </ul> </li> <li>• <a href="#">Table 5 “Static characteristics”</a>, sub-section “Input SCLn; input/output SDAn”: <ul style="list-style-type: none"> <li>– Symbol for parameter “input leakage current” changed from “I<sub>I</sub>” to “I<sub>LI</sub>”</li> <li>– Symbol/parameter changed from “I<sub>OH</sub>, output HIGH level leakage current” to “I<sub>LOH</sub>, HIGH-level output leakage current”</li> </ul> </li> <li>• Added soldering information</li> <li>• Added <a href="#">Section 14 “Abbreviations”</a></li> </ul>			
PCA9515_8 (9397 750 14097)	20040929	Product data sheet	-	PCA9515_7
PCA9515_7 (9397 750 12875)	20040624	Product data sheet	-	PCA9515_6
PCA9515_6 (9397 750 12294)	20031110	Product data	853-2223 30410 dated 2003 Oct 03	PCA9515_5
PCA9515_5 (9397 750 09814)	20020513	Product data	853-2223 28185 dated 2002 May 13	PCA9515_4
PCA9515_4 (9397 750 09512)	20020301	Product data	853-2223 27802	PCA9515_3
PCA9515_3 (9397 750 08127)	20010307	Product specification	853-2223 25782	PCA9515_2
PCA9515_2 (9397 750 07852)	20001201	Product specification	853-2223 25138	PCA9515_1
PCA9515_1 (9397 750 07757)	20001113	Product specification	853-2223 25005	-

## 16. Legal information

### 16.1 Data sheet status

Document status <sup>[1][2]</sup>	Product status <sup>[3]</sup>	Definition
Objective [short] data sheet	Development	This document contains data from the objective specification for product development.
Preliminary [short] data sheet	Qualification	This document contains data from the preliminary specification.
Product [short] data sheet	Production	This document contains the product specification.

[1] Please consult the most recently issued document before initiating or completing a design.

[2] The term 'short data sheet' is explained in section "Definitions".

[3] The product status of device(s) described in this document may have changed since this document was published and may differ in case of multiple devices. The latest product status information is available on the Internet at URL <http://www.nxp.com>.

### 16.2 Definitions

**Draft** — The document is a draft version only. The content is still under internal review and subject to formal approval, which may result in modifications or additions. NXP Semiconductors does not give any representations or warranties as to the accuracy or completeness of information included herein and shall have no liability for the consequences of use of such information.

**Short data sheet** — A short data sheet is an extract from a full data sheet with the same product type number(s) and title. A short data sheet is intended for quick reference only and should not be relied upon to contain detailed and full information. For detailed and full information see the relevant full data sheet, which is available on request via the local NXP Semiconductors sales office. In case of any inconsistency or conflict with the short data sheet, the full data sheet shall prevail.

### 16.3 Disclaimers

**General** — Information in this document is believed to be accurate and reliable. However, NXP Semiconductors does not give any representations or warranties, expressed or implied, as to the accuracy or completeness of such information and shall have no liability for the consequences of use of such information.

**Right to make changes** — NXP Semiconductors reserves the right to make changes to information published in this document, including without limitation specifications and product descriptions, at any time and without notice. This document supersedes and replaces all information supplied prior to the publication hereof.

**Suitability for use** — NXP Semiconductors products are not designed, authorized or warranted to be suitable for use in medical, military, aircraft, space or life support equipment, nor in applications where failure or malfunction of an NXP Semiconductors product can reasonably be expected to result in personal injury, death or severe property or environmental

damage. NXP Semiconductors accepts no liability for inclusion and/or use of NXP Semiconductors products in such equipment or applications and therefore such inclusion and/or use is at the customer's own risk.

**Applications** — Applications that are described herein for any of these products are for illustrative purposes only. NXP Semiconductors makes no representation or warranty that such applications will be suitable for the specified use without further testing or modification.

**Limiting values** — Stress above one or more limiting values (as defined in the Absolute Maximum Ratings System of IEC 60134) may cause permanent damage to the device. Limiting values are stress ratings only and operation of the device at these or any other conditions above those given in the Characteristics sections of this document is not implied. Exposure to limiting values for extended periods may affect device reliability.

**Terms and conditions of sale** — NXP Semiconductors products are sold subject to the general terms and conditions of commercial sale, as published at <http://www.nxp.com/profile/terms>, including those pertaining to warranty, intellectual property rights infringement and limitation of liability, unless explicitly otherwise agreed to in writing by NXP Semiconductors. In case of any inconsistency or conflict between information in this document and such terms and conditions, the latter will prevail.

**No offer to sell or license** — Nothing in this document may be interpreted or construed as an offer to sell products that is open for acceptance or the grant, conveyance or implication of any license under any copyrights, patents or other industrial or intellectual property rights.

**Export control** — This document as well as the item(s) described herein may be subject to export control regulations. Export might require a prior authorization from national authorities.

### 16.4 Trademarks

Notice: All referenced brands, product names, service names and trademarks are the property of their respective owners.

**I<sup>2</sup>C-bus** — logo is a trademark of NXP B.V.

## 17. Contact information

For more information, please visit: <http://www.nxp.com>

For sales office addresses, please send an email to: [salesaddresses@nxp.com](mailto:salesaddresses@nxp.com)

## 18. Contents

<b>1</b>	<b>General description</b> .....	<b>1</b>
<b>2</b>	<b>Features</b> .....	<b>1</b>
<b>3</b>	<b>Ordering information</b> .....	<b>2</b>
3.1	Ordering options .....	2
<b>4</b>	<b>Block diagram</b> .....	<b>2</b>
<b>5</b>	<b>Pinning information</b> .....	<b>3</b>
5.1	Pinning .....	3
5.2	Pin description .....	3
<b>6</b>	<b>Functional description</b> .....	<b>4</b>
6.1	Enable .....	4
6.2	I <sup>2</sup> C-bus systems .....	4
<b>7</b>	<b>Application design-in information</b> .....	<b>5</b>
<b>8</b>	<b>Limiting values</b> .....	<b>6</b>
<b>9</b>	<b>Static characteristics</b> .....	<b>7</b>
<b>10</b>	<b>Dynamic characteristics</b> .....	<b>8</b>
<b>11</b>	<b>Test information</b> .....	<b>8</b>
<b>12</b>	<b>Package outline</b> .....	<b>9</b>
<b>13</b>	<b>Soldering of SMD packages</b> .....	<b>11</b>
13.1	Introduction to soldering .....	11
13.2	Wave and reflow soldering .....	11
13.3	Wave soldering .....	11
13.4	Reflow soldering .....	12
<b>14</b>	<b>Abbreviations</b> .....	<b>13</b>
<b>15</b>	<b>Revision history</b> .....	<b>14</b>
<b>16</b>	<b>Legal information</b> .....	<b>15</b>
16.1	Data sheet status .....	15
16.2	Definitions .....	15
16.3	Disclaimers .....	15
16.4	Trademarks .....	15
<b>17</b>	<b>Contact information</b> .....	<b>15</b>
<b>18</b>	<b>Contents</b> .....	<b>16</b>

Please be aware that important notices concerning this document and the product(s) described herein, have been included in section 'Legal information'.



© NXP B.V. 2009.

All rights reserved.

For more information, please visit: <http://www.nxp.com>

For sales office addresses, please send an email to: [salesaddresses@nxp.com](mailto:salesaddresses@nxp.com)

Date of release: 23 April 2009

Document identifier: PCA9515\_9