

Data Sheet

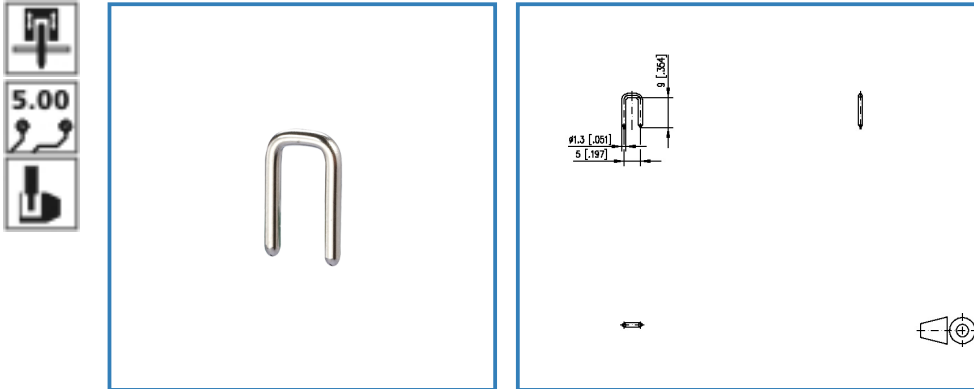
711047

Page 1/3

P/N

711047

Illustration



see enlarged drawing at the end of the document

Product specification

- The jumper may be used for all terminal blocks with centerline 5.00 mm / 0.197 inches and 5.08 mm / 0.200 inches

Data Sheet

711047

Page 2/3

P/N

711047

Technical Data



METZ CONNECT GmbH

Im Tal 2 | 78176 Blumberg | Germany | www.metz-connect.com

Phone +49 7702 533-0 | Fax +49 7702 533-433

Montageanleitung / Mounting instruction siehe / see www.metz-connect.com

Members of METZ CONNECT



Data Sheet

711047

Page 3/3

P/N

711047

Illustration

Drawing

