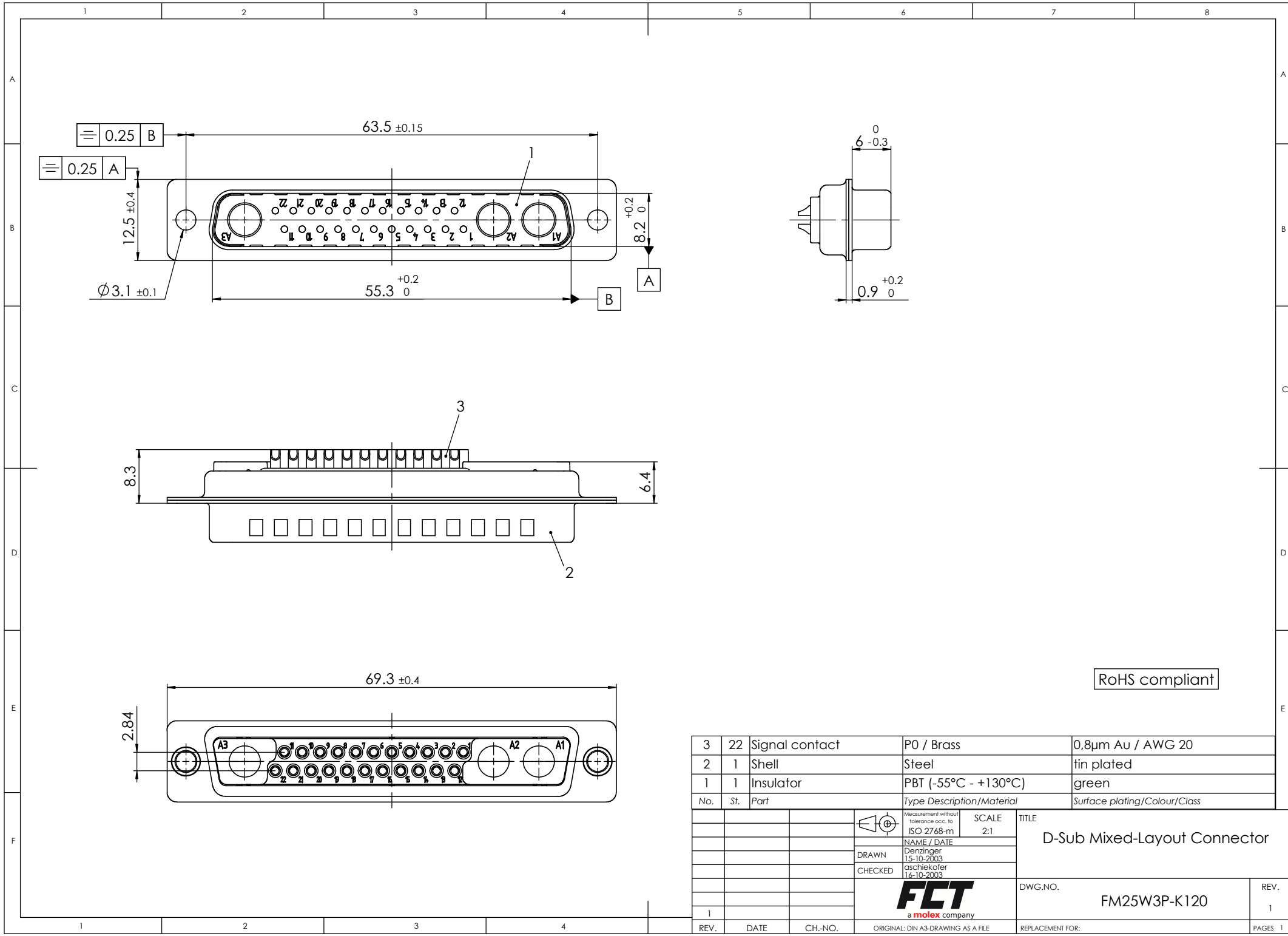


COMMENT: ALL RIGHTS ARE RESERVED BY US FOR THIS DRAWING. WITHOUT OUR PRIOR CONSENT, IT IS NOT ALLOWED TO REPRODUCE, COPY, TRANSMIT OR OTHERWISE DISSEMINATE THIS DRAWING OR ANY PART THEREOF. AND IT ALSO MAY NOT BE IMPROPERLY USED BY THE RECEIVER, OR A THIRD PARTY.



RoHS compliant

3	22	Signal contact	P0 / Brass	0,8µm Au / AWG 20
2	1	Shell	Steel	tin plated
1	1	Insulator	PBT (-55°C - +130°C)	green
No.	St.	Part	Type Description / Material	Surface plating / Colour / Class

				SCALE	TITLE
				2:1	
		NAME / DATE		D-Sub Mixed-Layout Connector	
		DRAWN			
		CHECKED			
				DWG.NO.	REV.
1				FM25W3P-K120	1
REV.	DATE	CH.-NO.	ORIGINAL: DIN A3-DRAWING AS A FILE	REPLACEMENT FOR:	PAGES 1