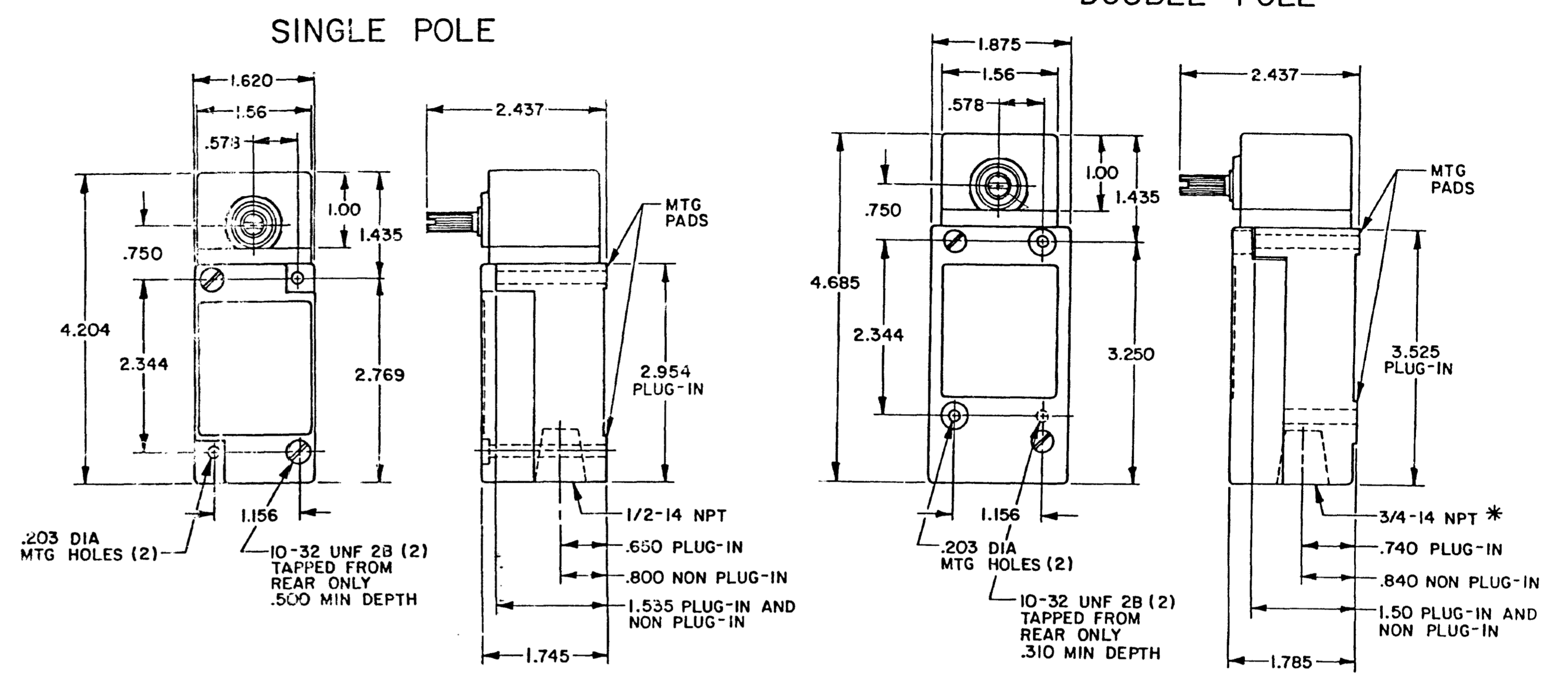


OPERATING CHARACTERISTICS	LSA MOMENTARY		LSR MOMENTARY LOW TORQUE		LSN MAINTAINED	LSP MOMENTARY LOW PRETRAVEL AND DIFF. TRAVEL		LSH MOMENTARY LOW PRETRAVEL AND LOW TORQUE	
	60°	70°	60°	70°	40°	3°	4°	3°	4°
PRETRAVEL(MAX)	15°	15°	15°	15°	65°	9°	9°	9°	9°
OVERTRAVEL(MIN)	60°	60°	60°	60°	20°	66°	66°	66°	66°
DIFFERENTIAL TRAVEL(MAX)	SINGLE POLE 5°	DOUBLE POLE 7°	SINGLE POLE 5°	DOUBLE POLE 7°	40°	SINGLE POLE 3°	DOUBLE POLE 4°	SINGLE POLE 3°	DOUBLE POLE 4°
TOTAL TRAVEL (REF)	75°	75°	75°	75°	90°	75°	75°	75°	75°
OPERATING TORQUE(MAX)	4 IN. LBS		1.7 IN. LBS		4 IN. LBS	4 IN. LBS		1.7 IN. LBS	
FULL TRAVEL TORQUE(MAX)	4 IN. LBS		1.7 IN. LBS			4 IN. LBS		1.7 IN. LBS	
OPERATING CHARACTERISTICS	LSU LOW PRETRAVEL		LSL SEQUENCE DOUBLE POLE ONLY	LSM CENTER NEUTRAL DOUBLE POLE ONLY	LST MOMENTARY	LSS GRAVITY RETURN			
	5°	70°	1ST STEP 15° 2ND STEP 10° ADD'L	18°	15°	NOT APPLICABLE			
PRETRAVEL(MAX)	5°	70°		18°	15°	NOT APPLICABLE			
OVERTRAVEL(MIN)	70°	70°	48°	57°	60°	NOT APPLICABLE			
DIFFERENTIAL TRAVEL(MAX)	SINGLE POLE 5°	DOUBLE POLE 4°	5°	10°	5°	12°			
TOTAL TRAVEL (REF)	75°	75°	75°	75°	75°	360°			
OPERATING TORQUE(MAX)	4 IN. LBS		4 IN. LBS	4 IN. LBS	12 IN-OZ	5 IN-OZ			
FULL TRAVEL TORQUE(MAX)	4 IN. LBS		4 IN. LBS	4 IN. LBS	12 IN-OZ	5 IN-OZ			

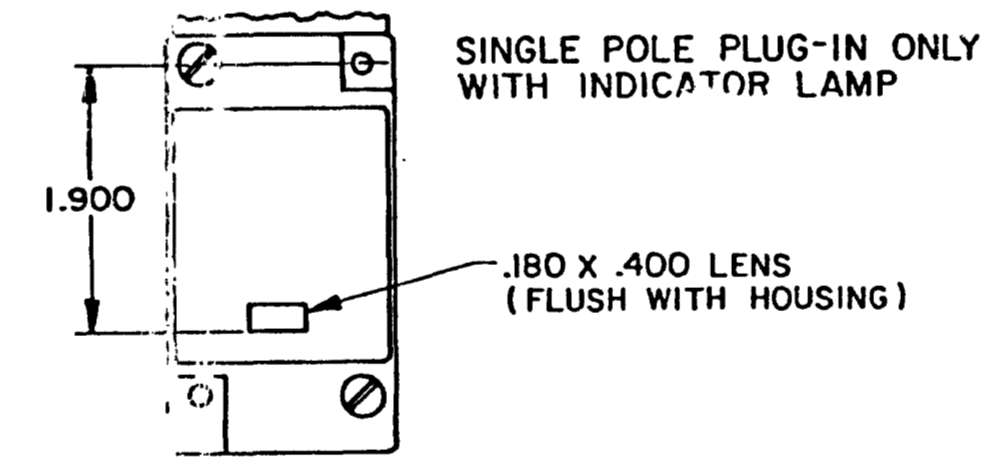
SIDE ROTARY



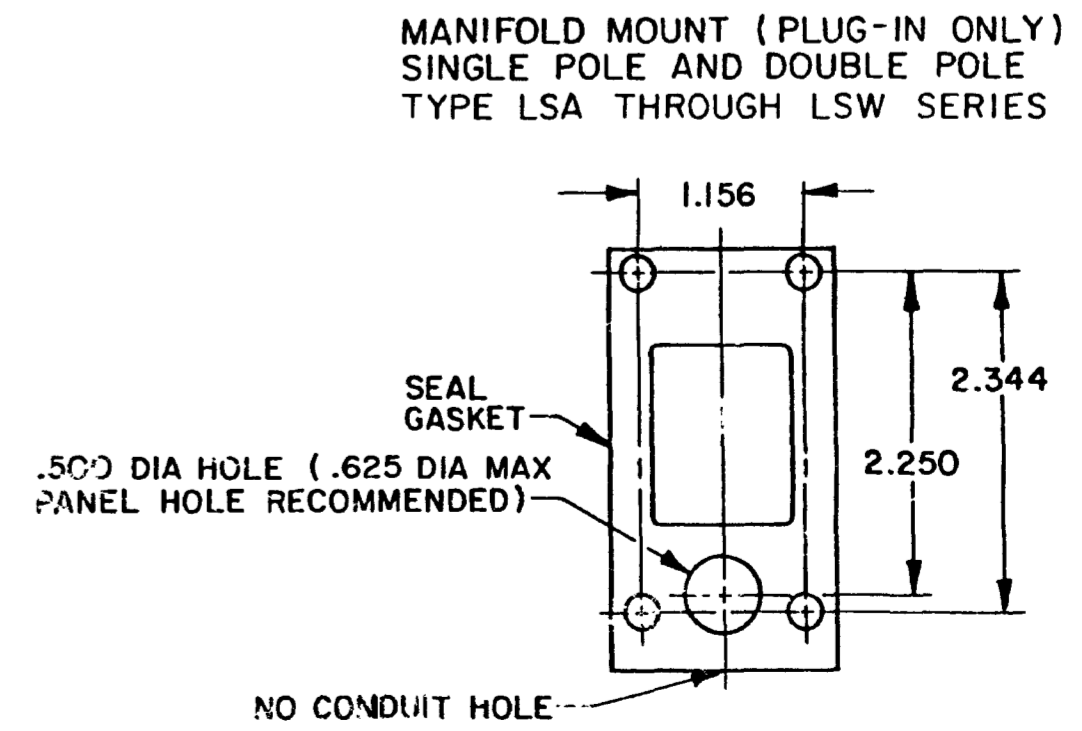
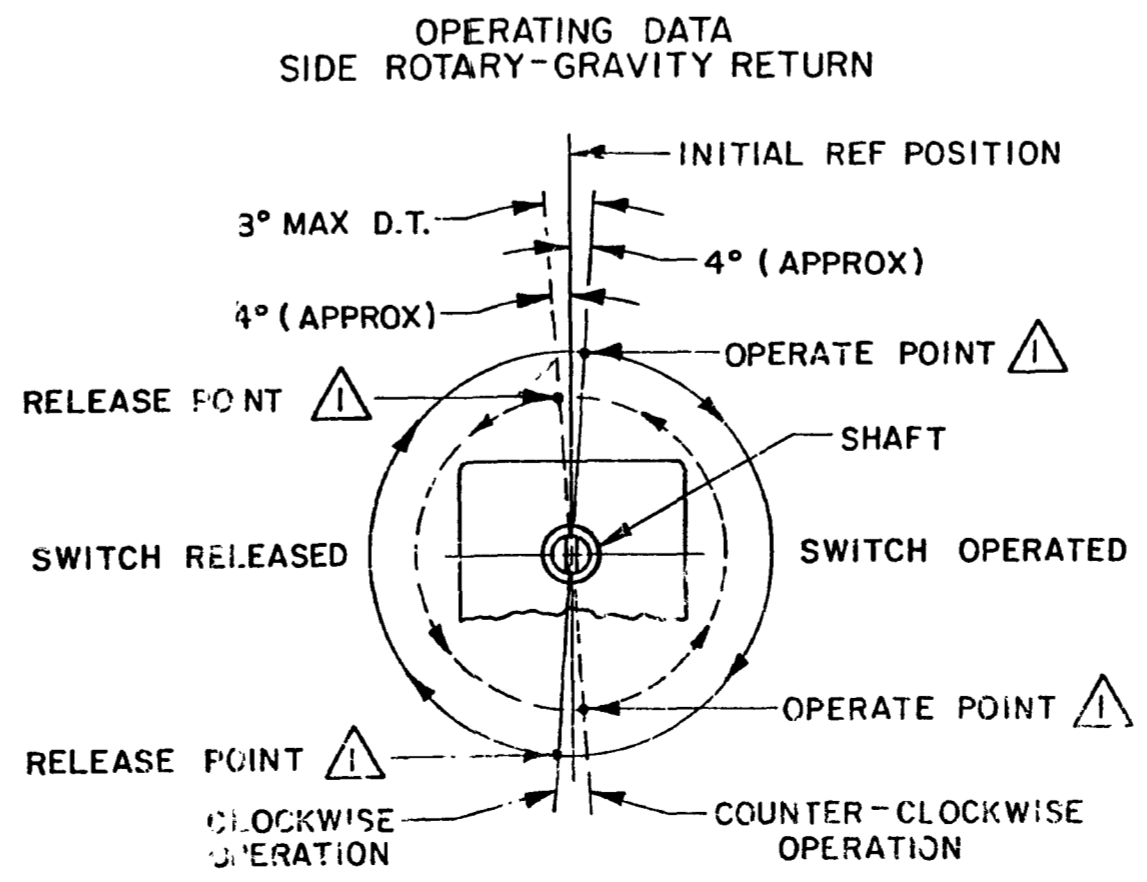
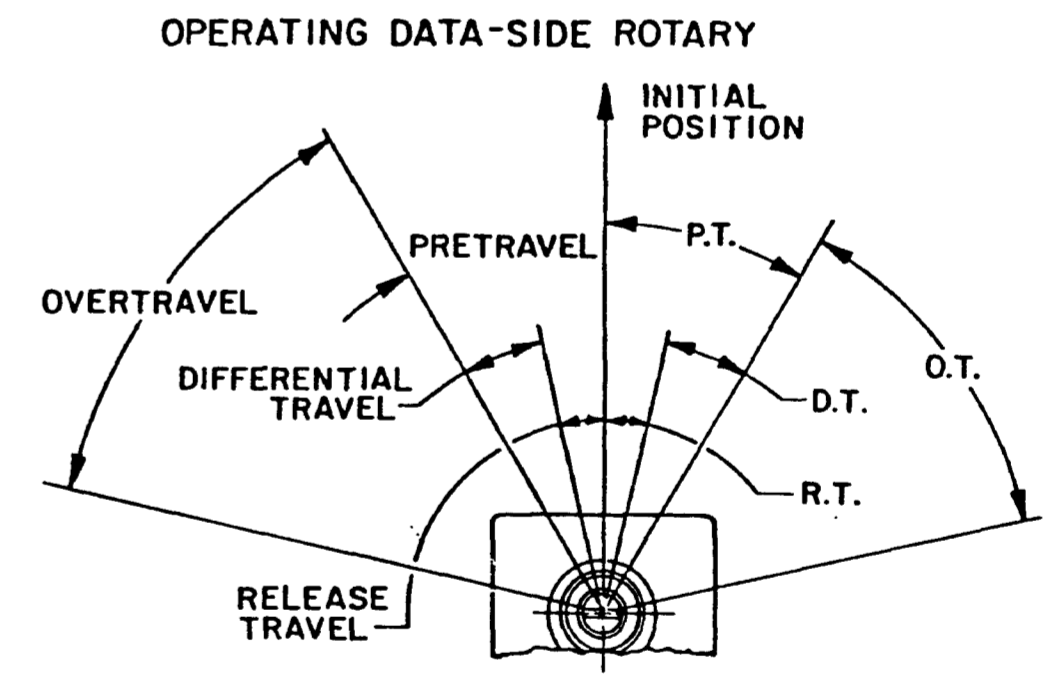
TYPE: LSA1, LSH1, LSN1, LSP1, LSR1
 LSA3, LSH3, LSN3, LSP3, LSR3
 LSS1, LST1

TYPE: LSA2, LSH2, LSM2, LSN2, LSP2, LSR2
 LSA4, LSH4, LSM4, LSN4, LSP4, LSR4

*LSA6, LSH6, LSM6, LSN6, LSP6, LSR6
 LSA7, LSH7, LSM7, LSN7, LSP7, LSR7 HAVE
 1/2-14 NPT CONDUIT HOLE



120 LAMP VOLTAGE - TYPE LSA5, LSH5, LSN5, LSP5, LSR5
 240 LAMP VOLTAGE - TYPE LSA8, LSH8, LSN8, LSP8, LSR8



NOTE
 OPERATE AND RELEASE POINTS WILL EXCHANGE LOCATIONS IF SHAFT IS ROTATED 180°

THIS DRAWING COVERS A PROPRIETARY ITEM AND IS THE PROPERTY OF MICRO SWITCH A DIVISION OF HONEYWELL. THIS DRAWING IS NOT TO BE COPIED OR USED WITHOUT THE APPROVAL OF MICRO SWITCH.

MICRO SWITCH a Honeywell Division
 FED. MFG. CODE 91929

SWITCH - ENCLOSED

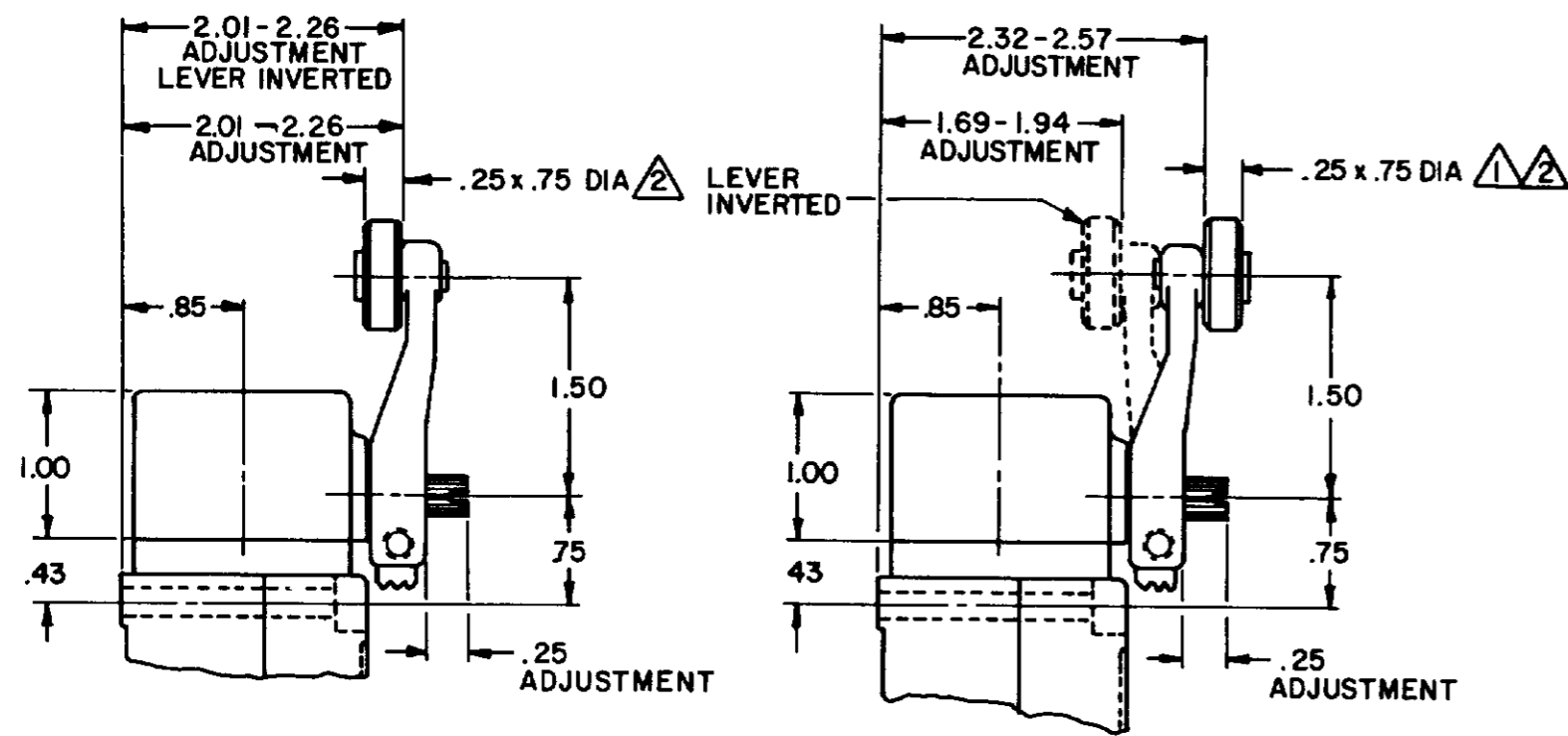
LSA-LSW SERIES CHART 1

SCALE: NONE
 DO NOT SCALE PRINT
 UNLESS OTHERWISE SPECIFIED TOLERANCES ARE:
 ONE PLACE (.0) ±.030
 TWO PLACES (.00) ±.015
 THREE PLACES (.000) ±.005
 ANGLES ±
 WEIGHT

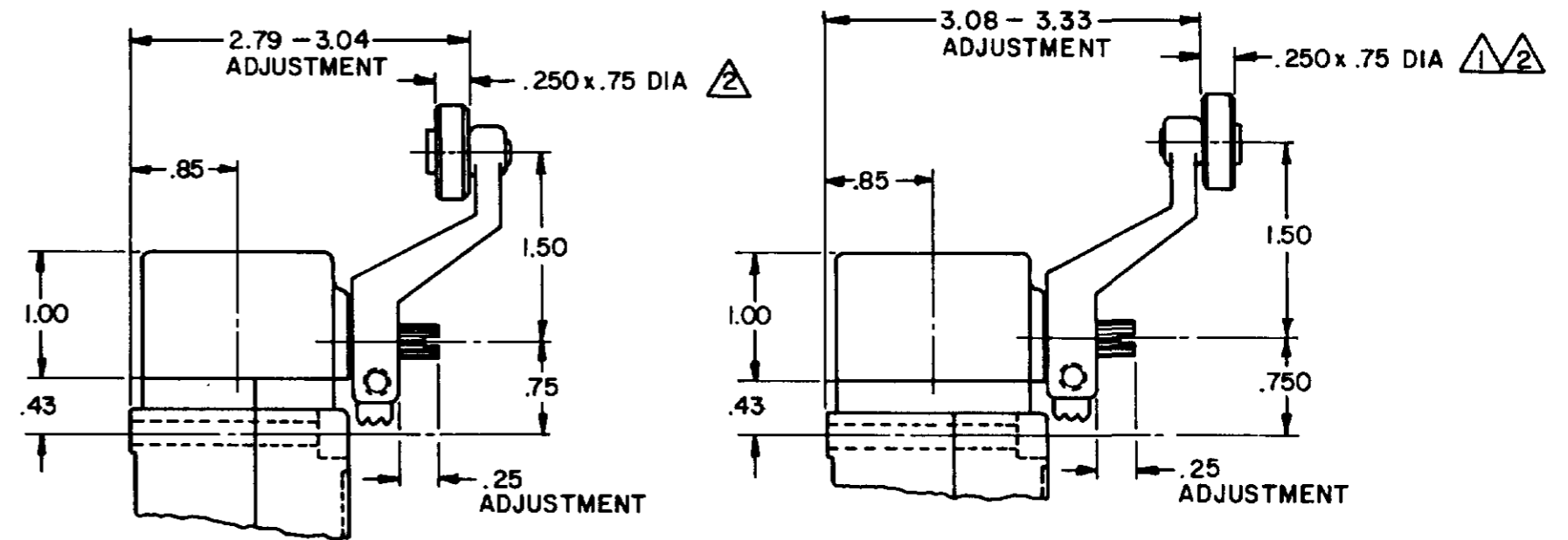
PAGE 1 OF 10

CATALOG LISTING LSA-LSW SERIES CHART 1
 ISSUE 12
 DRAWN BY MAM
 CHECKED BY JAF
 DATE 15 JUN 94
 REVISIONS:
 L 0031958
 B 201004
 C 201748
 D 202198
 E 204871
 F 206851
 G 206763
 H 207179
 J 207474
 K 208083
 R 0006874
 11AUG04
 PSR 10JUL07
 RELEASE NO CO-78498
 REPRESENTS LSA-LSW SERIES

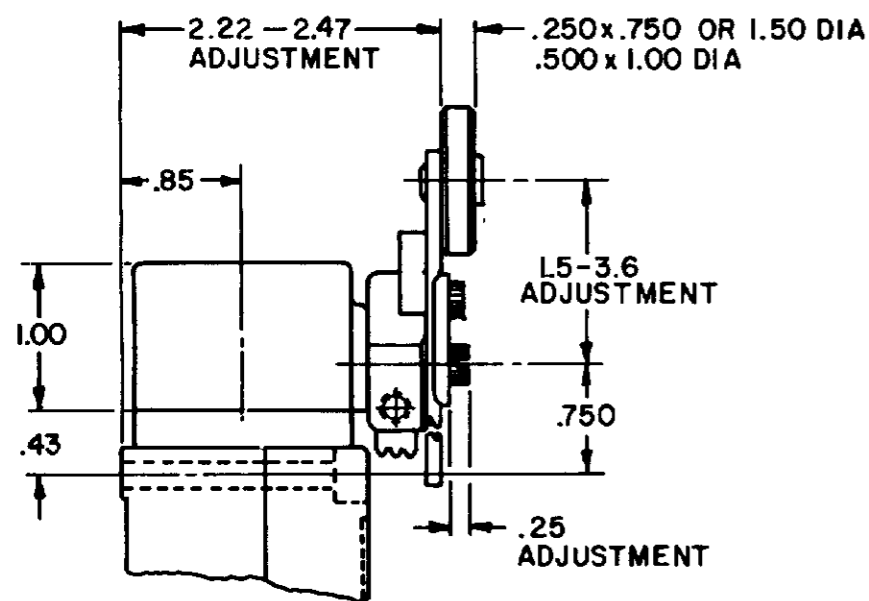
SIDE ROTARY CAM TRACKING



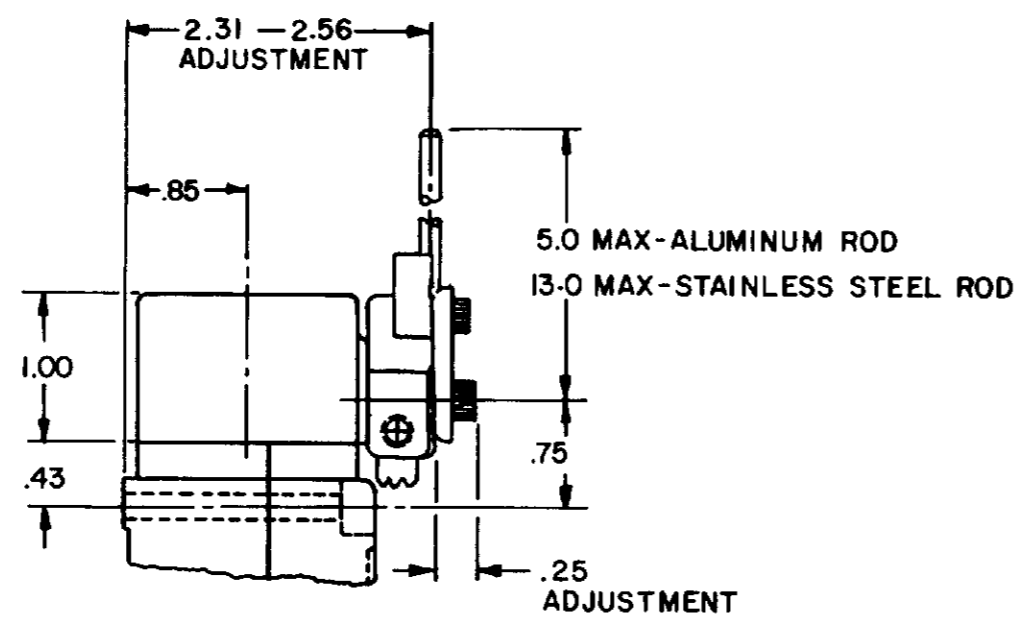
LSZ51 TYPE LEVERS



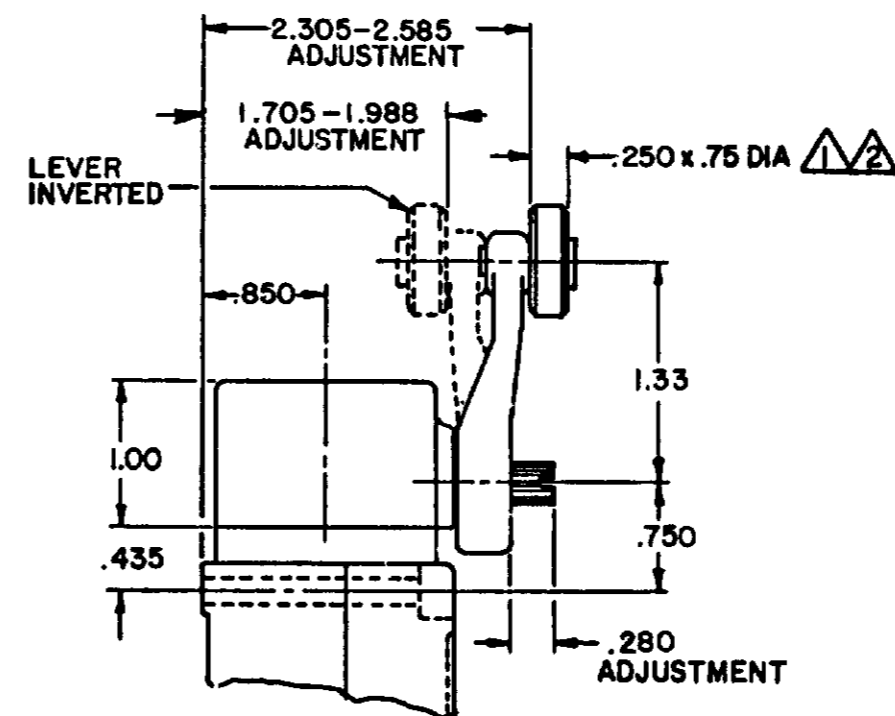
LSZ55 TYPE LEVERS



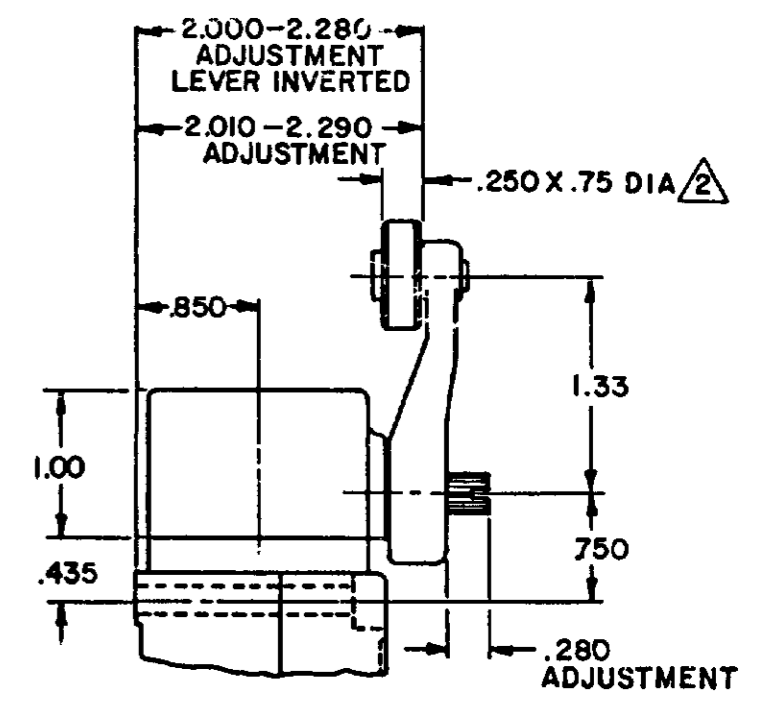
LSZ52 TYPE LEVER



LSZ54 TYPE LEVER



OPEN MOUNTED ROLLER



CLOSED MOUNTED ROLLER

LSZ59 TYPE LEVERS

NOTES

- ① ALSO AVAILABLE IN Ø.250 X 1.500 NYLON, BUT LEVER CANNOT BE INVERTED
- ② FOR ADDITIONAL ROLLER WIDTHS AND/OR DIAMETERS REFER TO "M" DRAWING
- 3 - FOR ADDITIONAL TYPES OF ROLLERS AND LEVERS REFER TO LSZ CHART 1 "M" DRAWING

CATALOG LISTING LSA-LSW SERIES CHART 1
 ISSUE 12
 PSR 10JUL07 RELEASE NO. CO-78498 REPLACES LSA-LSW SERIES
 CHECK 11AUG04
 REVISIONS
 L 0031956
 BS 10JUL07
 B 201004
 C SL 10AUG00
 C 201748
 C SL 17NOV00
 D 202198
 C SL 23JAN01
 E 204871
 C SL FEB 02
 F 206581
 GLH 14OCT02
 G 206763
 C SL 31OCT02
 H 207179
 GLH 14JAN03
 J 207474
 SLH 18FEB03
 K 0006871
 RR 11AUG04
 DRAWN MAM 15 JUN 94
 CHECK JAF 11 JUL 94
 RASTER

THIS DRAWING COVERS A PROPRIETARY ITEM AND IS THE PROPERTY OF MICRO SWITCH, A DIVISION OF HONEYWELL. THIS DRAWING IS NOT TO BE COPIED OR USED WITHOUT THE APPROVAL OF MICRO SWITCH.		PAGE 2 OF 10
MICRO SWITCH a Honeywell Division FED MFG CODE 91929	SWITCH - ENCLOSED	CATALOG LISTING LSA-LSW SERIES CHART 1
THIRD ANGLE PROJECTION SCALE NONE DO NOT SCALE PRINT UNLESS OTHERWISE SPECIFIED TOLERANCES ARE: ONE PLACE (0) ±.030 TWO PLACES (.00) ±.015 THREE PLACES (.000) ±.005 ANGLES ± WEIGHT		WEIGHT

ISSUE 12 PSR 10JUL07 RELEASE NO CO-78498 REPLACES LSA-LSW SERIES

REV. S I O N S
 L 0031958
 1 JUL 07
 B 201004
 10 AUG 00
 C 201748
 17 NOV 00
 D 202198
 23 JAN 01
 E 204871
 6 FEB 02
 F 206581
 14 OCT 02
 G 206763
 31 OCT 02
 H 207179
 14 JAN 03
 J 207474
 18 FEB 03
 K 0006871

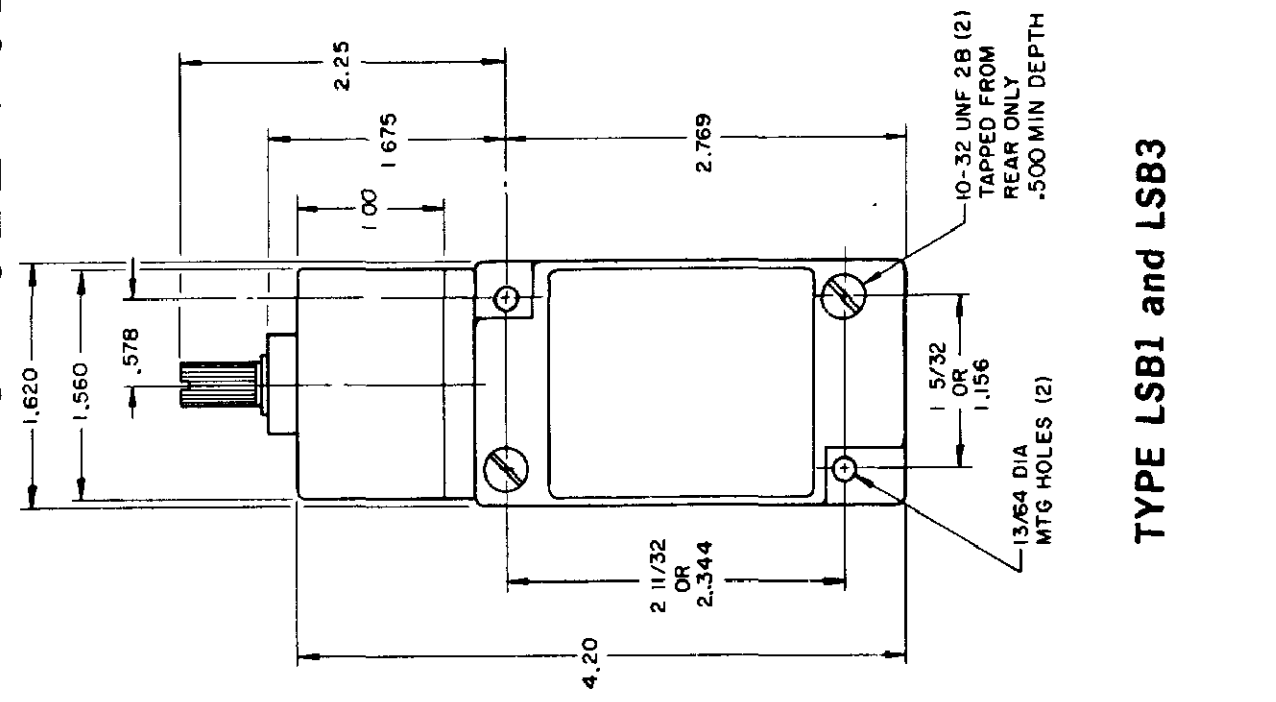
REV. S I O N S
 L 0031958
 1 JUL 07
 B 201004
 10 AUG 00
 C 201748
 17 NOV 00
 D 202198
 23 JAN 01
 E 204871
 6 FEB 02
 F 206581
 14 OCT 02
 G 206763
 31 OCT 02
 H 207179
 14 JAN 03
 J 207474
 18 FEB 03
 K 0006871

MAM 15 JUN 94 CHECK JAF
 1 JUL 94 CHECK AK
 11AUG04 CHECK

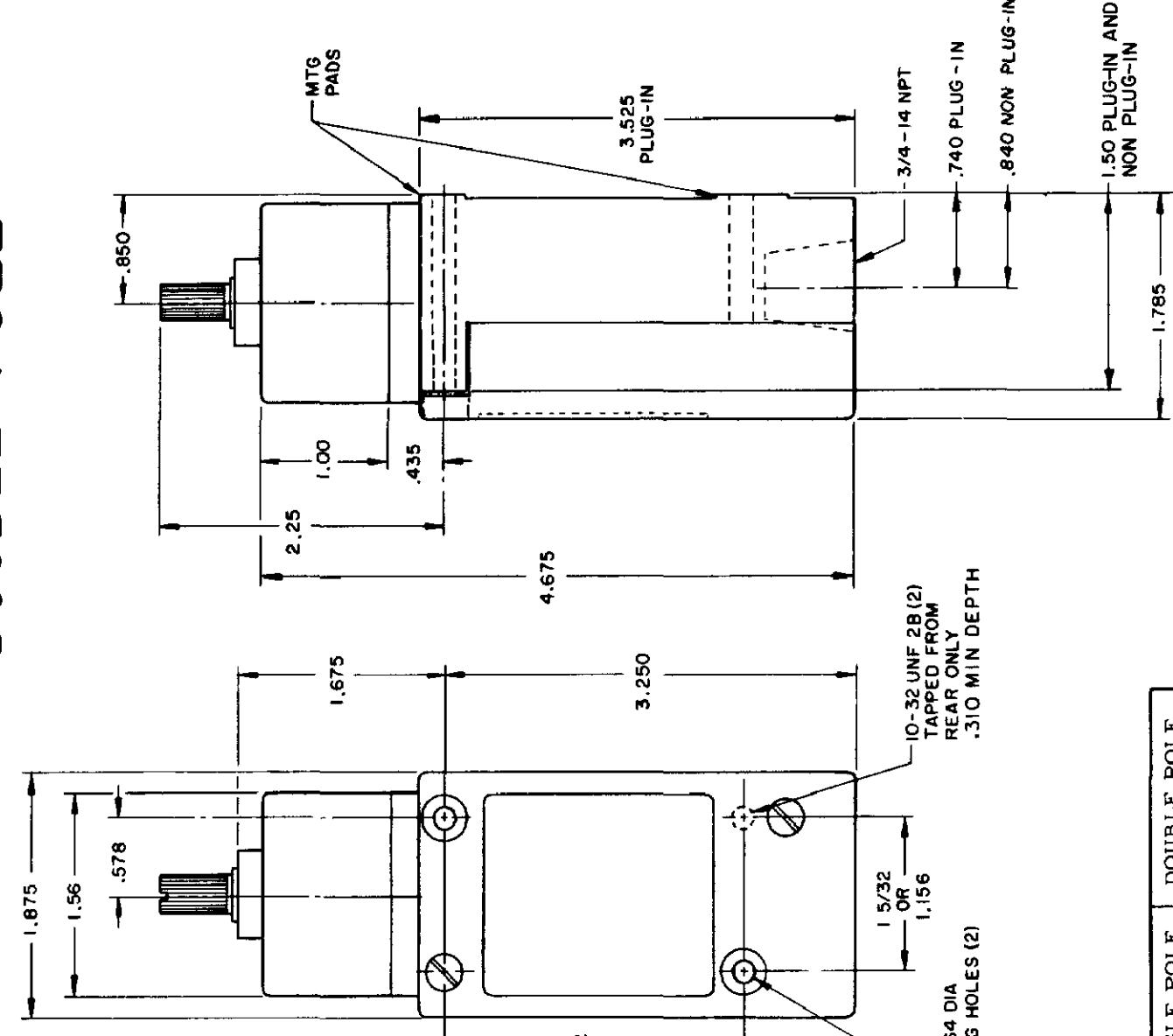
TOP ROTARY

SINGLE POLE

DOUBLE POLE



TYPE LSB1 and LSB3



TYPE LSB2 and LSB4
 LSB6 and LSB7 have 1/2 - 14 NPT CONDUIT HOLE

	SINGLE POLE	DOUBLE POLE
PRETRAVEL MAX	25°	25°
OVERTRAVEL MIN	110°	110°
DIFFERENTIAL TRAVEL MAX	10°	12°
OPERATING TORQUE MAX	2.5 IN. LBS	2.5 IN. LBS
TOTAL TRAVEL (REF)	135°	135°

ELECTRICAL RATINGS

A.C. VOLTAGE	AMPS AT 35 POWER FACTOR			
	SINGL POLE		DOUBLE POLE	
	MAKE	BREAK	MAKE	BREAK
120	60	6	30	3
240	30	3	15	1.5
480	15	1.5	7.5	7.5
600	12	1.2	6	6

D.C. VOLTAGE	MAKE & BREAK	
	INDUCTIVE	RESISTIVE
120	0.25	0.80
240	0.15	0.40

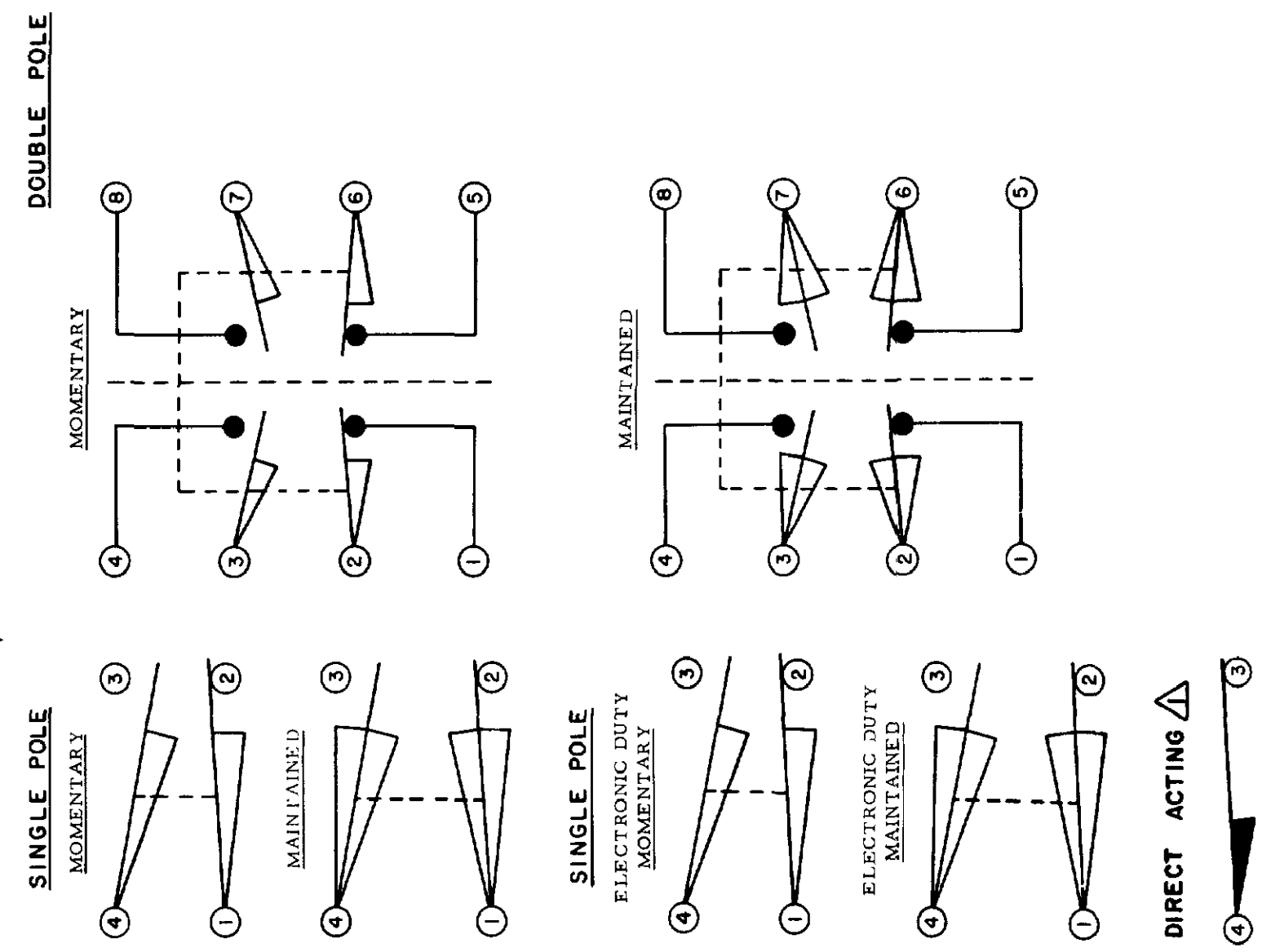
ELECTRONIC DUTY BASIC SWITCH
 10 AMP CONT.

VOLTAGE	MAKE AND BREAK AMPS
5 AC OR DC MIN	01 AMP MIN
600 AC	720 VA
240 DC	30 WATT

DIRECT ACTING (ALSO RATED AT A.C. 10 AMP CONT.)

D.C. VOLTAGE	MAKE AND BREAK AMPS	
	INDUCTIVE	RESISTIVE
30	4.2	4.2
120	1.1	1.1
240	.55	.55

WIRING BASIC SWITCH
 (SAME POLARITY MUST BE OBSERVED FOR EACH POLE)



NOTES
 Δ DIFFERENTIAL TRAVEL ON ALL OPERATING CHARACTERISTICS NOT APPLICABLE

RASTER

DRAWN

MAM 15 JUN 94

11 JUL 94

11 AUG 04

10 JUL 07

CO-78498

REPLACES LSA-LSW SERIES

ISSUE

12

CATALOG LISTING

LSA-LSW SERIES CHART 1

PAGE 4 OF 10

PSR

10 JUL 07

RELEASE NO

CO-78498

REPLACES

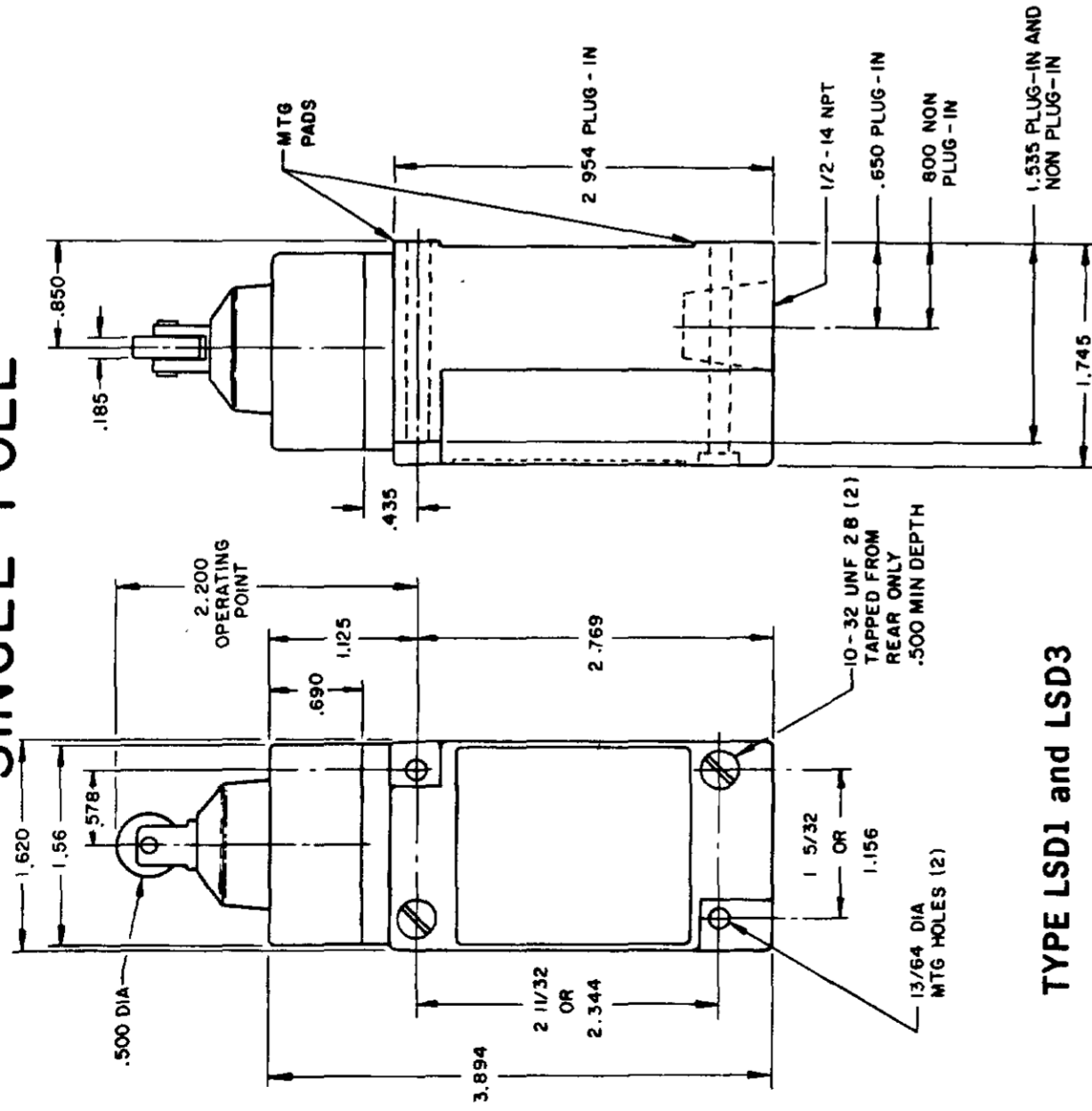
LSA-LSW SERIES

REV	DATE	BY	CHKD	DESCRIPTION
L	0031956			
B	10 JUL 07			
B	201004			
C	10 AUG 00			
C	201748			
D	202198			
E	204871			
F	206581			
G	206763			
H	207178			
J	207474			
K	0006871			

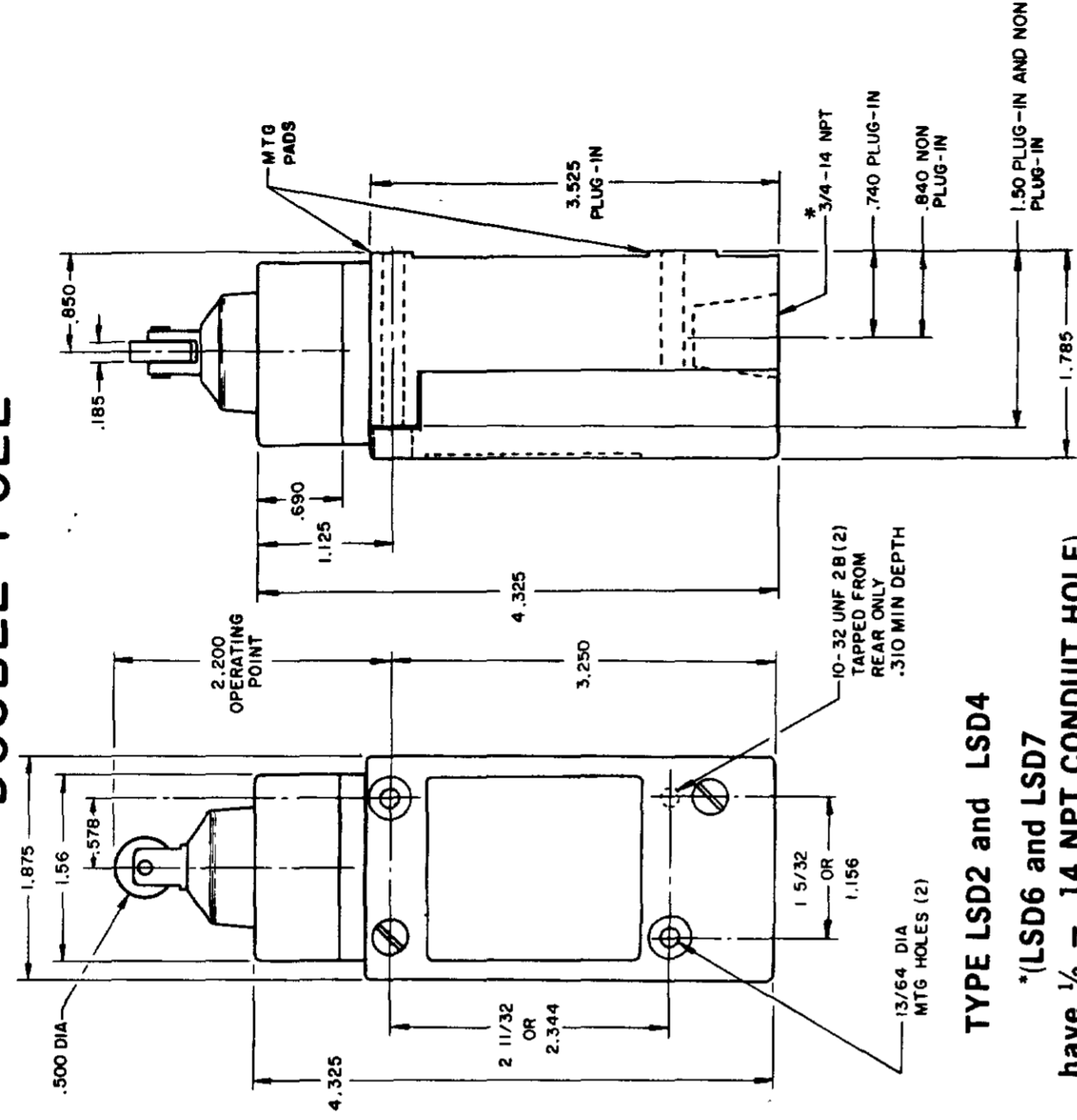
PLUNGER TYPE TOP

SINGLE POLE

DOUBLE POLE

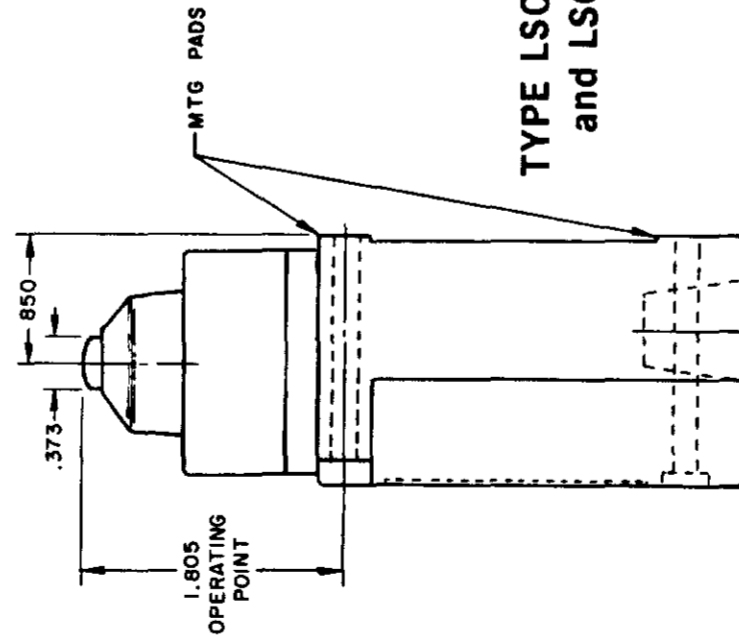


TYPE LSD1 and LSD3

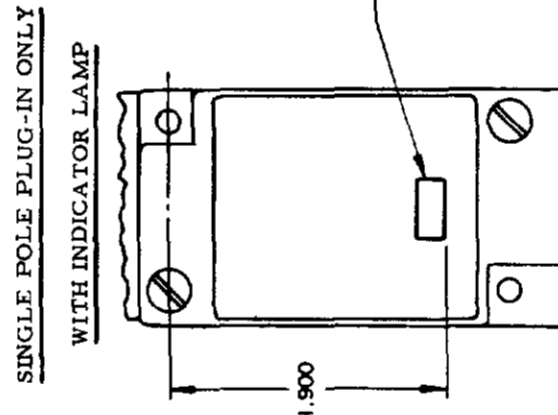


TYPE LSD2 and LSD4

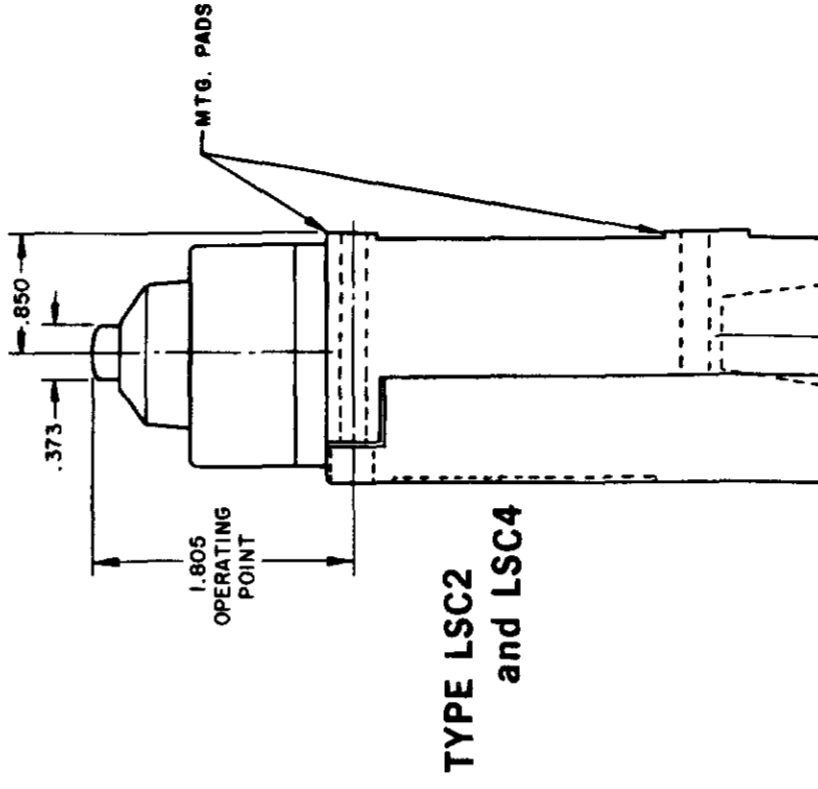
*(LSD6 and LSD7 have 1/2 - 14 NPT CONDUIT HOLE)



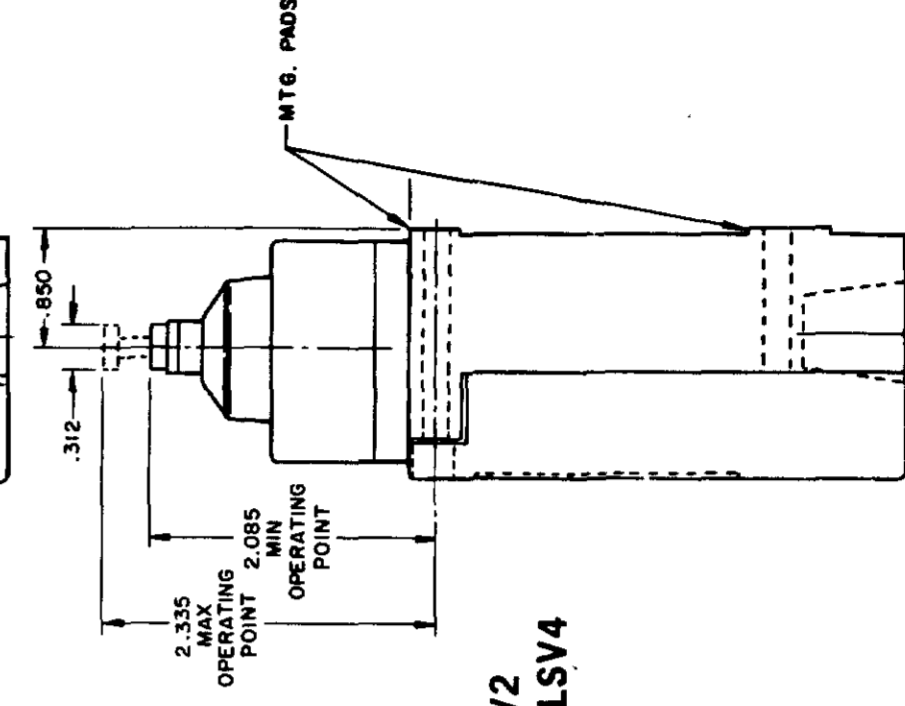
TYPE LSC1 and LSC3



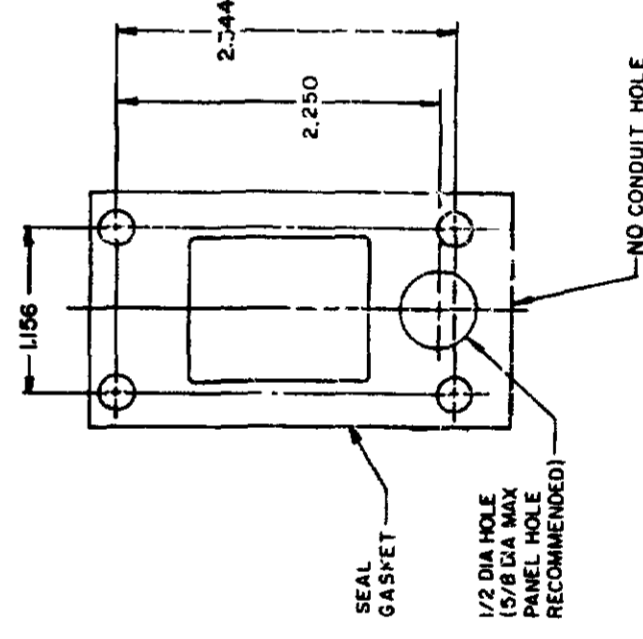
120 LAMP VOLTAGE - TYPE LSC5, LSD5 or LSV5
240 LAMP VOLTAGE - TYPE LSC8, LSD8 or LSV8



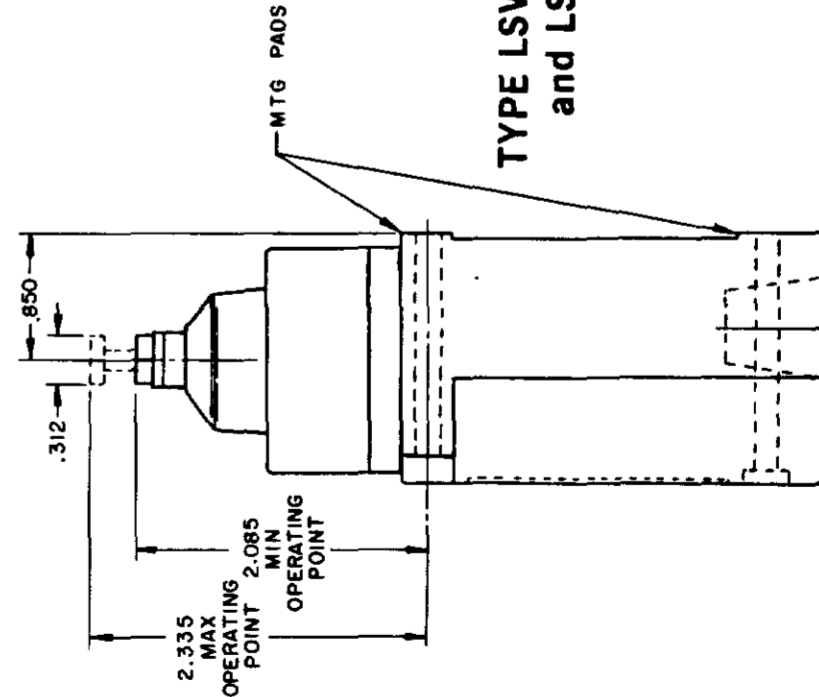
TYPE LSC2 and LSC4



TYPE LSV2 and LSV4



MANIFOLD MOUNT (PLUG-IN ONLY)
SINGLE POLE AND DOUBLE POLE
TYPE LSA THROUGH LSW SERIES



TYPE LSV1 and LSV3

THIS DRAWING COVERS A PROPRIETARY ITEM AND IS THE PROPERTY OF MICRO SWITCH, A DIVISION OF HONEYWELL. THIS DRAWING IS NOT TO BE COPIED OR USED WITHOUT THE APPROVAL OF MICRO SWITCH.

MICRO SWITCH
a Honeywell Division

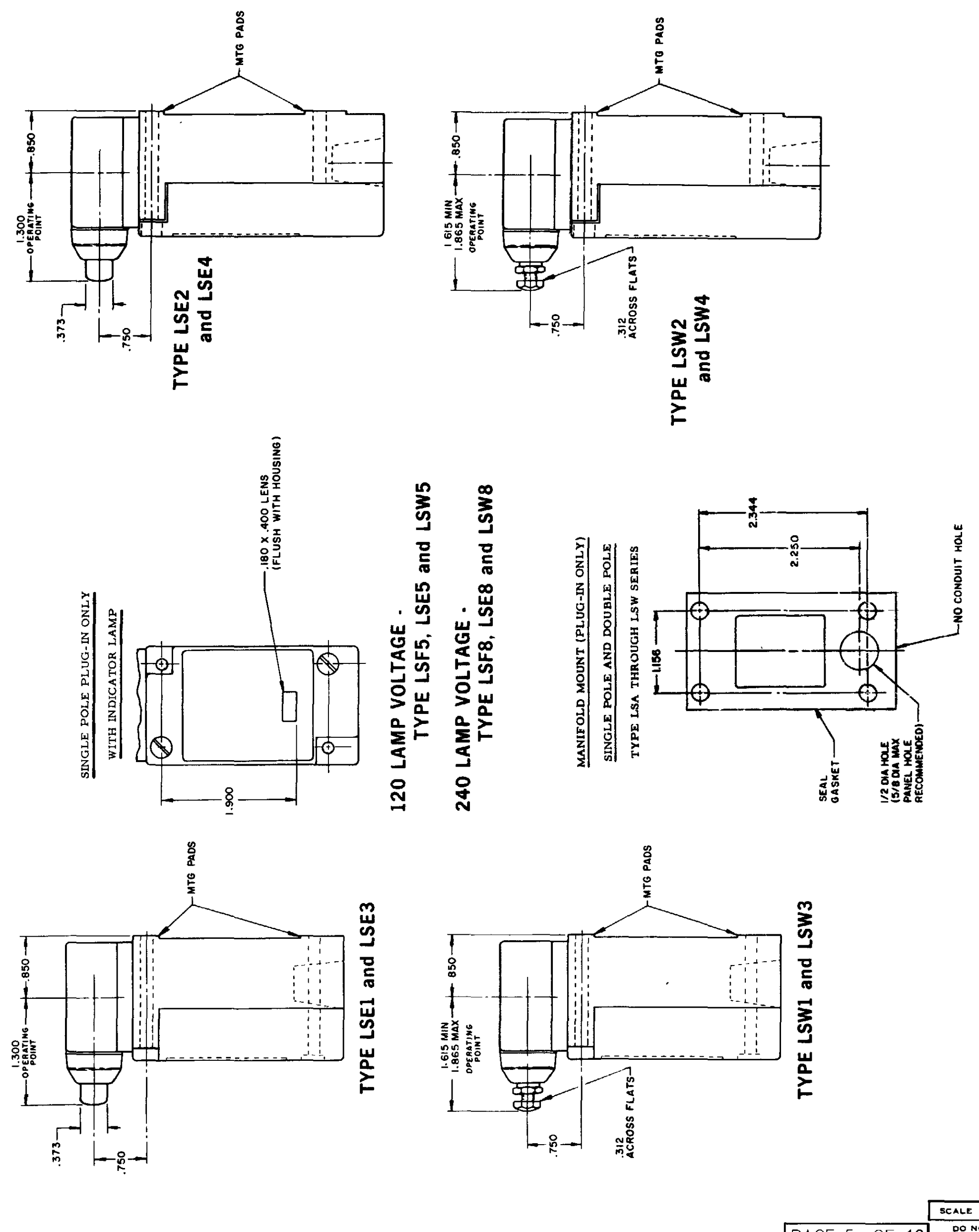
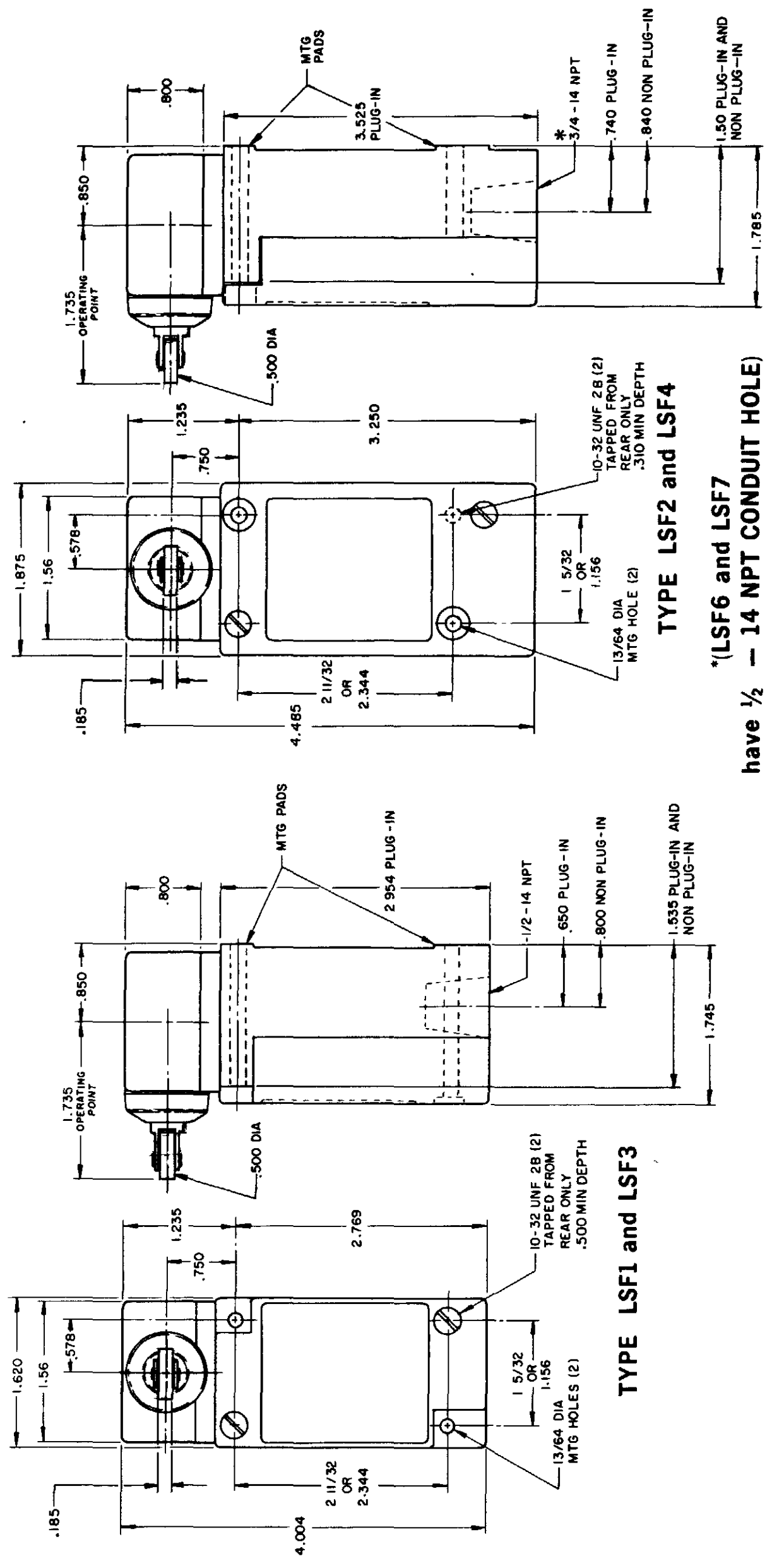
FED MFG CODE 91929

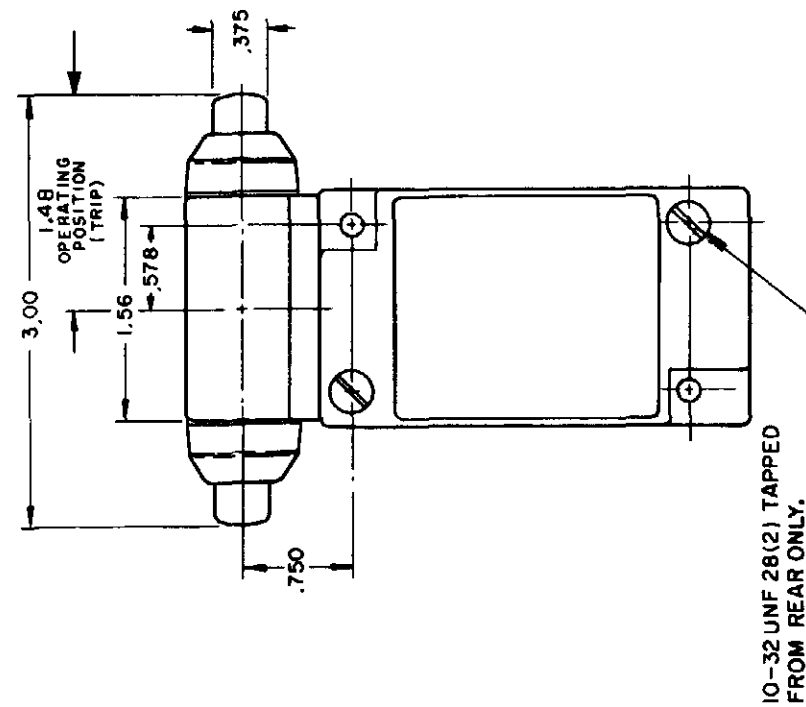
SWITCH - ENCLOSED

CATALOG LISTING
LSA-LSW SERIES
CHART 1

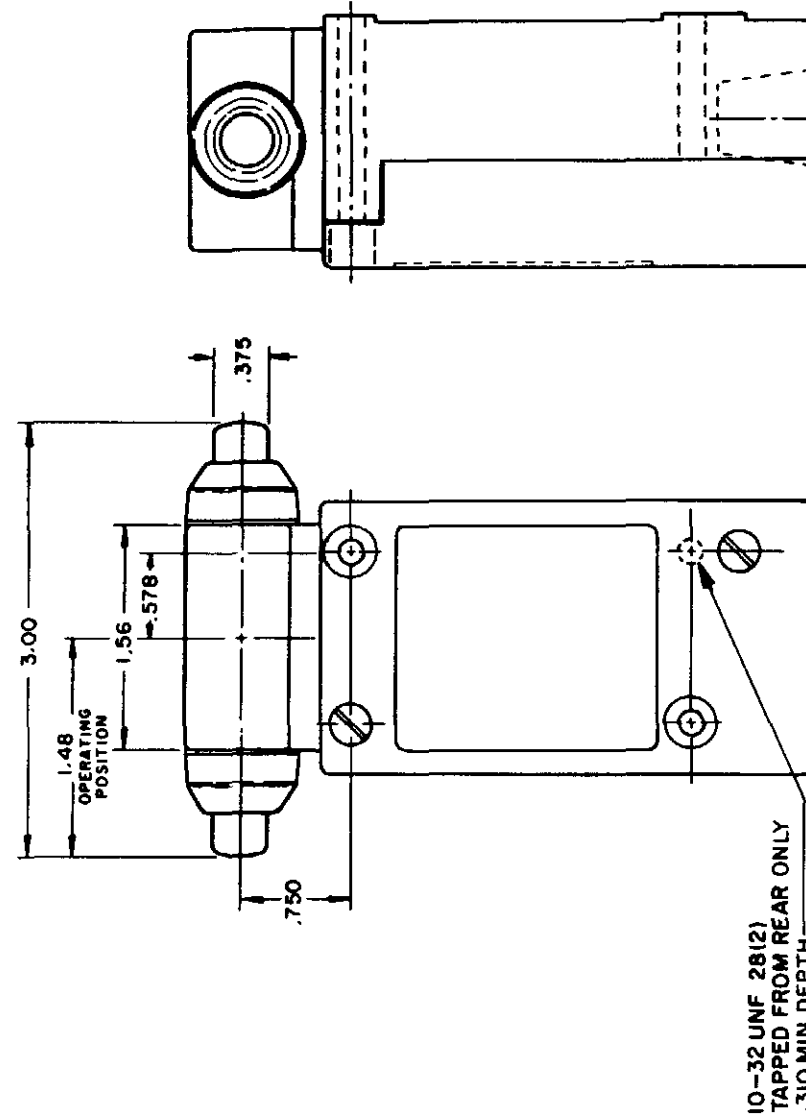
RASTER	15 JUN 94	CHECK	JAF
DRAWN	11 JUL 94	CHECK	AK
MAM	11 AUG 04	CHECK	AK
REV	11 AUG 04	CHECK	AK
1	11 AUG 04	CHECK	AK
2	11 AUG 04	CHECK	AK
3	11 AUG 04	CHECK	AK
4	11 AUG 04	CHECK	AK
5	11 AUG 04	CHECK	AK
6	11 AUG 04	CHECK	AK
7	11 AUG 04	CHECK	AK
8	11 AUG 04	CHECK	AK
9	11 AUG 04	CHECK	AK
10	11 AUG 04	CHECK	AK
11	11 AUG 04	CHECK	AK
12	11 AUG 04	CHECK	AK
13	11 AUG 04	CHECK	AK
14	11 AUG 04	CHECK	AK
15	11 AUG 04	CHECK	AK
16	11 AUG 04	CHECK	AK
17	11 AUG 04	CHECK	AK
18	11 AUG 04	CHECK	AK
19	11 AUG 04	CHECK	AK
20	11 AUG 04	CHECK	AK
21	11 AUG 04	CHECK	AK
22	11 AUG 04	CHECK	AK
23	11 AUG 04	CHECK	AK
24	11 AUG 04	CHECK	AK
25	11 AUG 04	CHECK	AK
26	11 AUG 04	CHECK	AK
27	11 AUG 04	CHECK	AK
28	11 AUG 04	CHECK	AK
29	11 AUG 04	CHECK	AK
30	11 AUG 04	CHECK	AK
31	11 AUG 04	CHECK	AK
32	11 AUG 04	CHECK	AK
33	11 AUG 04	CHECK	AK
34	11 AUG 04	CHECK	AK
35	11 AUG 04	CHECK	AK
36	11 AUG 04	CHECK	AK
37	11 AUG 04	CHECK	AK
38	11 AUG 04	CHECK	AK
39	11 AUG 04	CHECK	AK
40	11 AUG 04	CHECK	AK
41	11 AUG 04	CHECK	AK
42	11 AUG 04	CHECK	AK
43	11 AUG 04	CHECK	AK
44	11 AUG 04	CHECK	AK
45	11 AUG 04	CHECK	AK
46	11 AUG 04	CHECK	AK
47	11 AUG 04	CHECK	AK
48	11 AUG 04	CHECK	AK
49	11 AUG 04	CHECK	AK
50	11 AUG 04	CHECK	AK
51	11 AUG 04	CHECK	AK
52	11 AUG 04	CHECK	AK
53	11 AUG 04	CHECK	AK
54	11 AUG 04	CHECK	AK
55	11 AUG 04	CHECK	AK
56	11 AUG 04	CHECK	AK
57	11 AUG 04	CHECK	AK
58	11 AUG 04	CHECK	AK
59	11 AUG 04	CHECK	AK
60	11 AUG 04	CHECK	AK
61	11 AUG 04	CHECK	AK
62	11 AUG 04	CHECK	AK
63	11 AUG 04	CHECK	AK
64	11 AUG 04	CHECK	AK
65	11 AUG 04	CHECK	AK
66	11 AUG 04	CHECK	AK
67	11 AUG 04	CHECK	AK
68	11 AUG 04	CHECK	AK
69	11 AUG 04	CHECK	AK
70	11 AUG 04	CHECK	AK
71	11 AUG 04	CHECK	AK
72	11 AUG 04	CHECK	AK
73	11 AUG 04	CHECK	AK
74	11 AUG 04	CHECK	AK
75	11 AUG 04	CHECK	AK
76	11 AUG 04	CHECK	AK
77	11 AUG 04	CHECK	AK
78	11 AUG 04	CHECK	AK
79	11 AUG 04	CHECK	AK
80	11 AUG 04	CHECK	AK
81	11 AUG 04	CHECK	AK
82	11 AUG 04	CHECK	AK
83	11 AUG 04	CHECK	AK
84	11 AUG 04	CHECK	AK
85	11 AUG 04	CHECK	AK
86	11 AUG 04	CHECK	AK
87	11 AUG 04	CHECK	AK
88	11 AUG 04	CHECK	AK
89	11 AUG 04	CHECK	AK
90	11 AUG 04	CHECK	AK
91	11 AUG 04	CHECK	AK
92	11 AUG 04	CHECK	AK
93	11 AUG 04	CHECK	AK
94	11 AUG 04	CHECK	AK
95	11 AUG 04	CHECK	AK
96	11 AUG 04	CHECK	AK
97	11 AUG 04	CHECK	AK
98	11 AUG 04	CHECK	AK
99	11 AUG 04	CHECK	AK
100	11 AUG 04	CHECK	AK

SIDE PLUNGER TYPE
DOUBLE POLE
SINGLE POLE





TYPE LSG1 and LSG3



TYPE LSG2 and LSG4

INITIAL POSITION (FREE POSITION) } PRETRAVEL
 OPERATING POINT } DIFFERENTIAL TRAVEL
 FULL TRAVEL } OVERTRAVEL

TOP PLUNGER TYPES

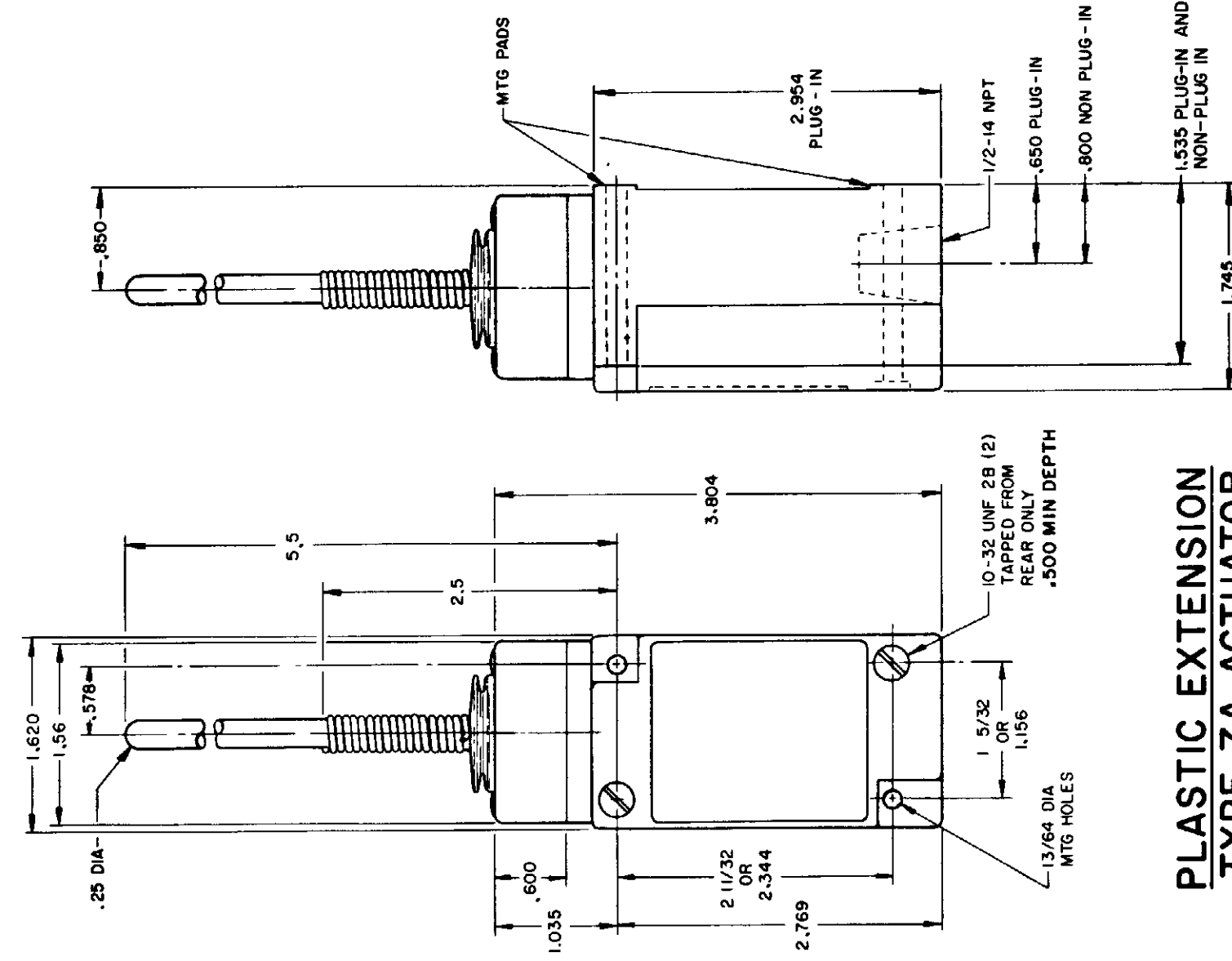
CHARACTERISTICS	LSC PLUNGER		LSD ROLLER PLUNGER		LSV ADJ PLUNGER		SEQUENCE BASIC	
	OPERATING POINT GIVEN IN RELATION TO TOP MOUNTING HOLE		OPERATING POINT GIVEN IN RELATION TO CENTER OF HEAD		OPERATING POINT GIVEN IN RELATION TO TOP MOUNTING HOLE		OPERATING POINT GIVEN IN RELATION TO CENTER OF HEAD	
PRETRAVEL (MAX)	.070		.070		.070		LSC	LSD
DIFFERENTIAL TRAVEL (MAX)	SINGLE POLE .015 DOUBLE POLE .020		SINGLE POLE .015 DOUBLE POLE .020		SINGLE POLE .015 DOUBLE POLE .020		1ST STEP .070 2ND STEP .016 MIN ADD'L	LSV
OVERTRAVEL (MIN)	.190		.190		.190		.015 EACH STEP	
OPERATING FORCE (MAX)	4 LBS		4 LBS		4 LBS		.170	
OPERATING POINT FORCE (MAX)	1.805 ± .030		2.200 ± .040		2.085 MIN 2.335 MAX		1ST STEP 1.815±.030 2.210±.040 2.095 MIN / 2.345 MAX	
FULL OVERTRAVEL	7 LBS		7 LBS		7 LBS		7 LBS	

SIDE PLUNGER TYPES

CHARACTERISTICS	LSE PLUNGER		LSF ROLLER PLUNGER		LSW ADJ PLUNGER		SEQUENCE BASIC	
	OPERATING POINT GIVEN IN RELATION TO TOP MOUNTING HOLE		OPERATING POINT GIVEN IN RELATION TO CENTER OF HEAD		OPERATING POINT GIVEN IN RELATION TO TOP MOUNTING HOLE		OPERATING POINT GIVEN IN RELATION TO CENTER OF HEAD	
PRETRAVEL (MAX)	.100		.100		.170		LSE	LSF
DIFFERENTIAL TRAVEL (MAX)	.045		.045		.090		1ST STEP .100 2ND STEP .020 MIN ADD'L	LSW
OVERTRAVEL (MIN)	.190		.190		.080		.025 EACH STEP	
OPERATING FORCE (MAX)	6 LBS		6 LBS		10 LBS		.170	
OPERATING POINT FORCE (MAX)	1.300 ± .030		1.735 ± .040		1.480 ± .030		1ST STEP 1.310±.030 1.745±.040 1.625 MIN / 1.875 MAX	
FULL OVERTRAVEL	6 LBS		6 LBS		10 LBS		6 LBS	

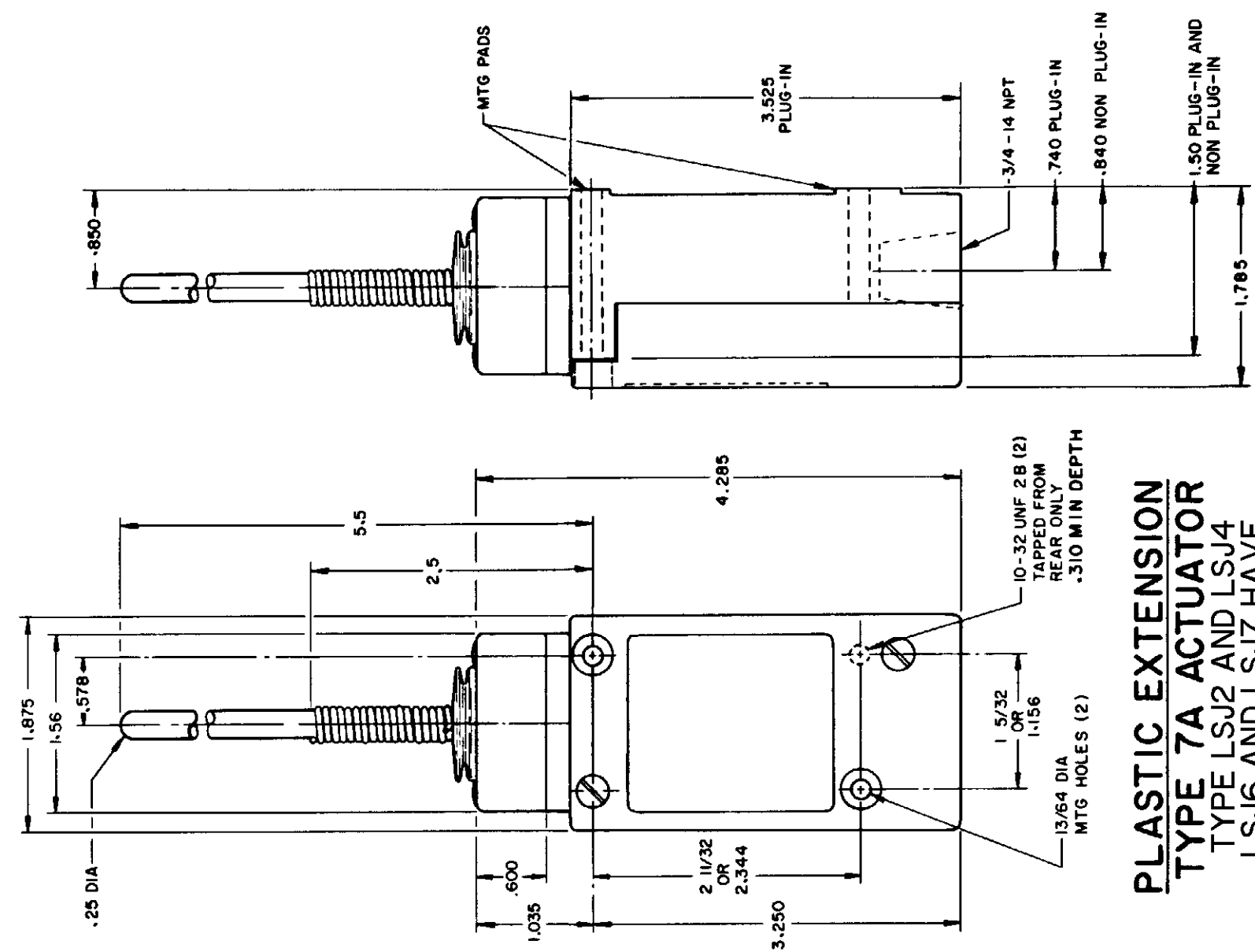
THIS DRAWING COVERS A PROPRIETARY ITEM AND IS THE PROPERTY OF MICRO SWITCH, A DIVISION OF HONEYWELL. THIS DRAWING IS NOT TO BE COPIED OR USED WITHOUT THE APPROVAL OF MICRO SWITCH.
MICRO SWITCH
 a Honeywell Division
 FED MFG CODE 91929
SWITCH - ENCLOSED
 CATALOG LISTING
LSA-LSW SERIES
CHART 1
 SCALE NONE
 DO NOT SCALE PRINT
 DIMENSIONS ARE IN INCHES
TOLERANCES
 ONE PLACE (.0)
 TWO PLACE (.00)
 THREE PLACE (.000)
 ANGLES
 WEIGHT

WOBBLE STICK
SINGLE POLE

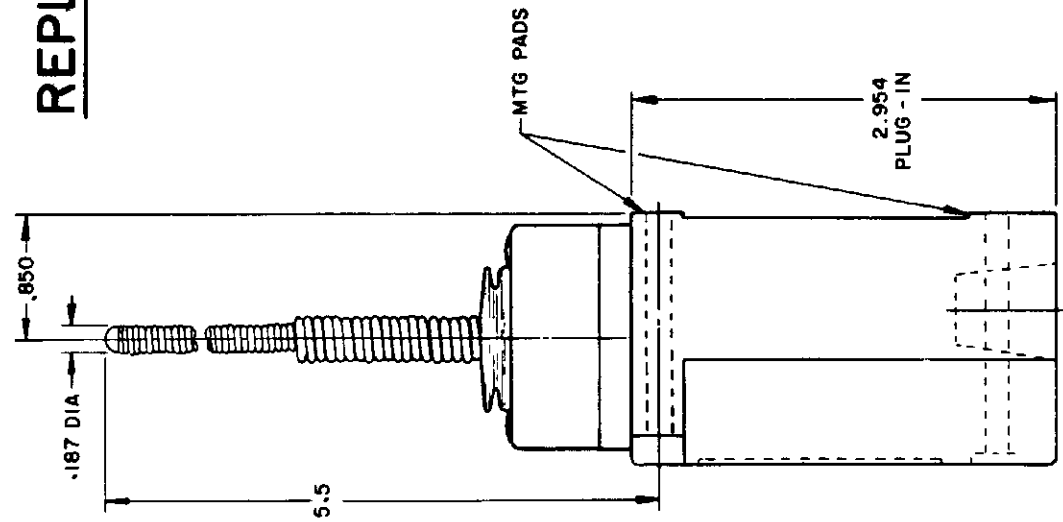


PLASTIC EXTENSION
TYPE 7A ACTUATOR
 TYPE LSJ1 AND LSJ3

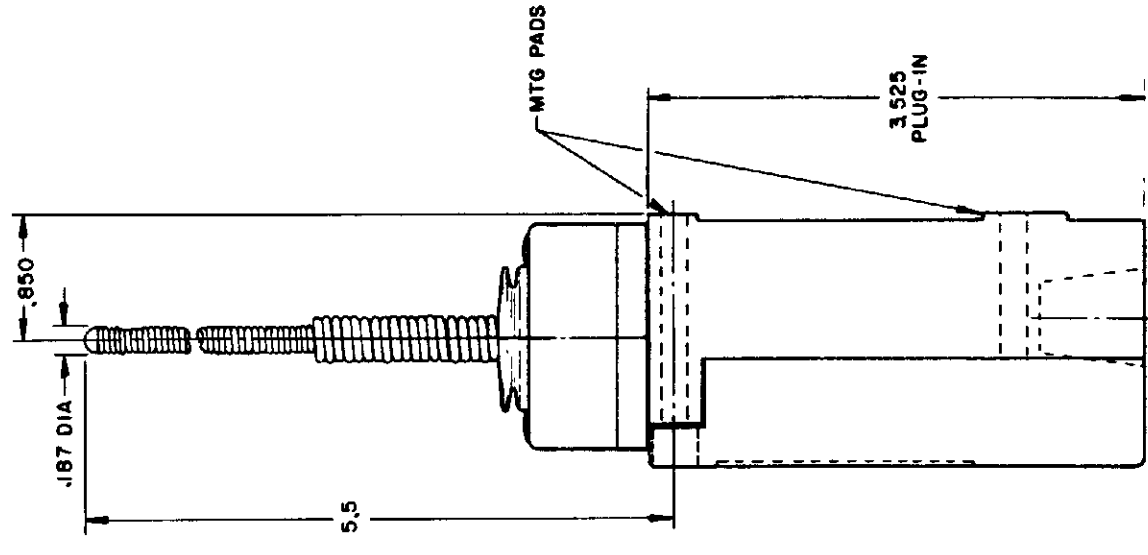
DOUBLE POLE



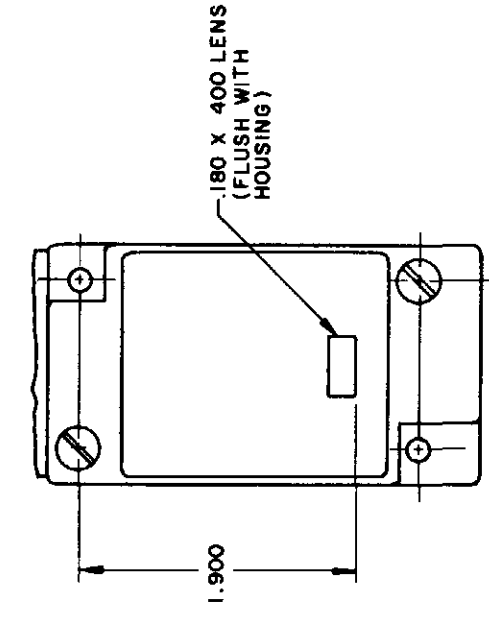
PLASTIC EXTENSION
TYPE 7A ACTUATOR
 TYPE LSJ2 AND LSJ4
 LSJ6 AND LSJ7 HAVE
 1/2 - 14 NPT CONDUIT HOLE



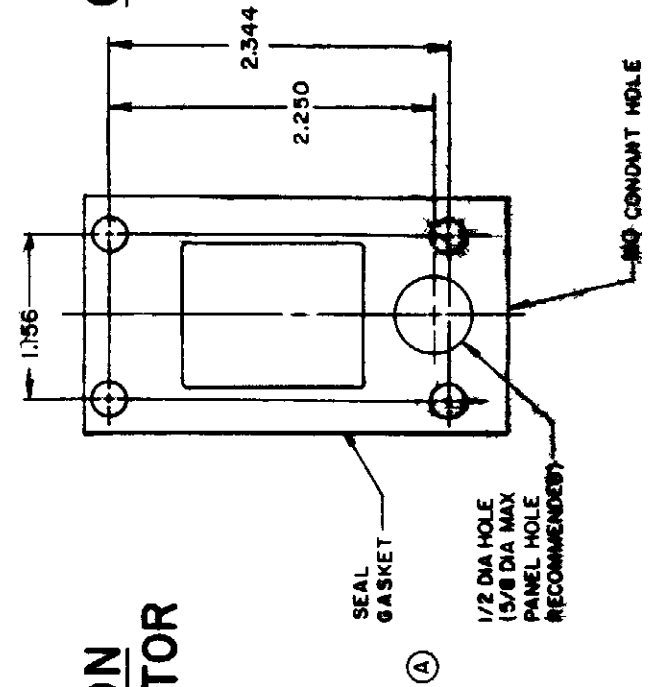
REPLACEMENT ACTUATOR
LSZ-4009



REPLACEMENT ACTUATOR
LSZ-4011



120 LAMP VOLTAGE TYPE LSJ5
 240 LAMP VOLTAGE TYPE LSJ8
 24 LED VOLTAGE TYPE LSJ9



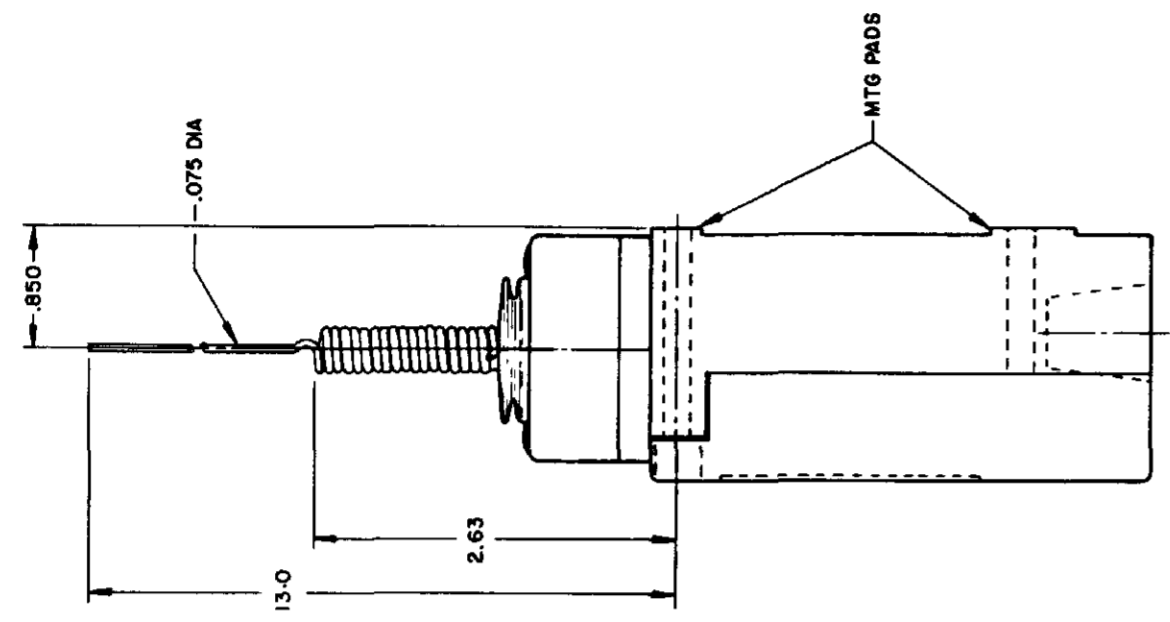
CABLE EXTENSION
TYPE 7N ACTUATOR

CABLE EXTENSION
TYPE 7N ACTUATOR

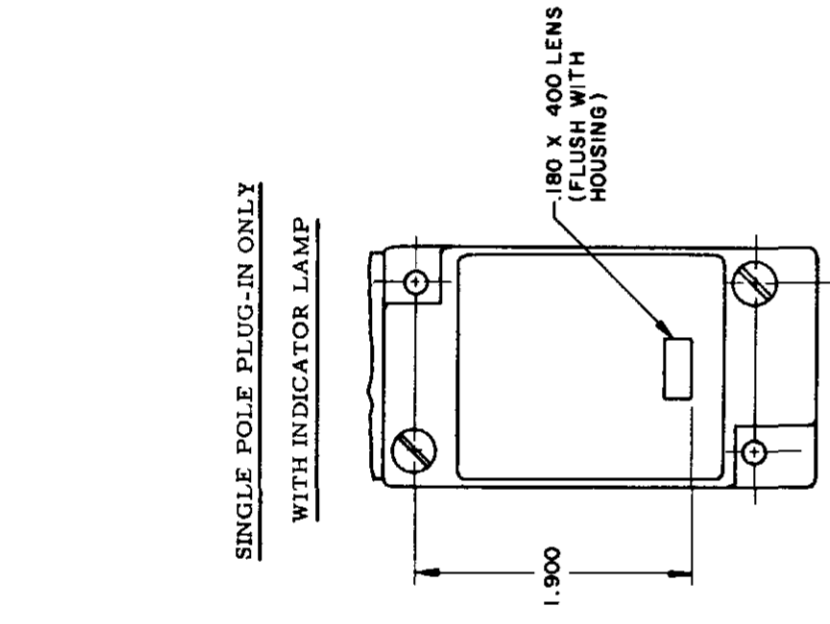
MANIFOLD MOUNT (PLUG-IN ONLY)
 SINGLE POLE AND DOUBLE POLE
 TYPE LSA THROUGH LSW SERIES

REPLACEMENT ACTUATOR
LSZ-4011

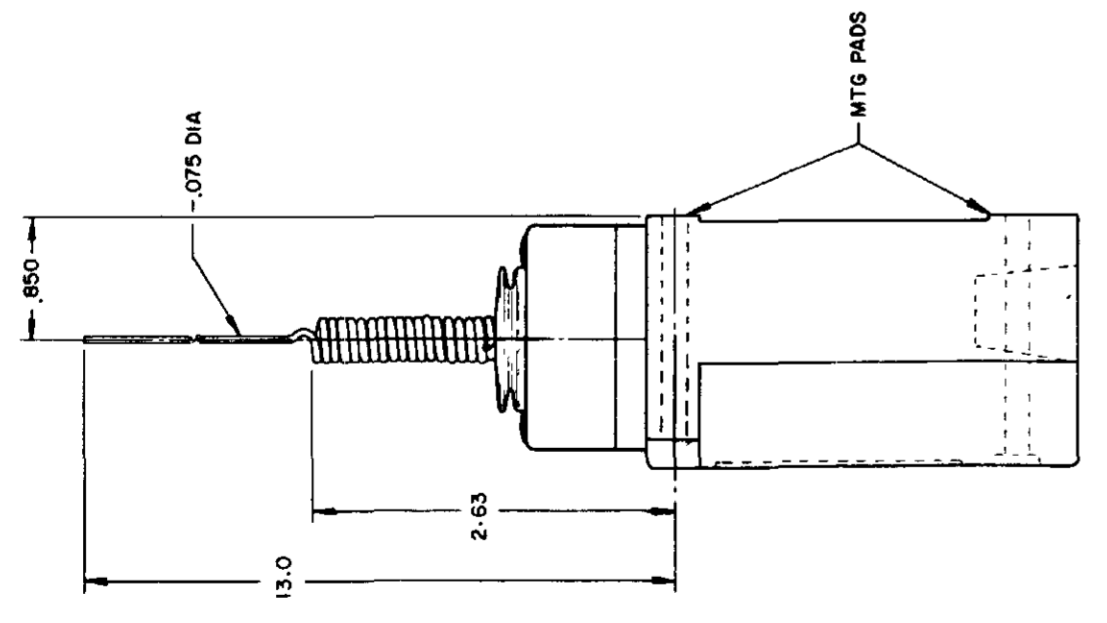
ISSUE **12** CATALOG LISTING **LSA-LSW SERIES CHART 1** PAGE 8 OF 10
 DRAWN MAM 15 JUN 94 CHECK JAF 11 JUL 94
 REVISIONS: L 0031956 BS 10 JUL 07 B 201004 C.S.I. 10 AUG 00 C 201748 C.S.I. 17 OCT 00 D 202198 C.S.I. 23 JAN 01 E 204871 G.J.W. FEB 02 F 206581 G.L.H. 14 OCT 02 G 206763 C.S.I. 31 OCT 02 H 207179 G.L.H. 14 JAN 03 J 207474 G.L.H. 18 FEB 03 K 0006871 KR 11 AUG 04
 PSR 10 JUL 07 RELEASE NO. CO-78498 REPLACES LSA-LSW SERIES



WIRE EXTENSION TYPE 7M ACTUATOR
 TYPE LSJ2 and LSJ4
 LSJ6 and LSJ7 have 1/2 - 14 NPT CONDUIT HOLE



120 LAMP VOLTAGE TYPE LSJ5
240 LAMP VOLTAGE TYPE LSJ8

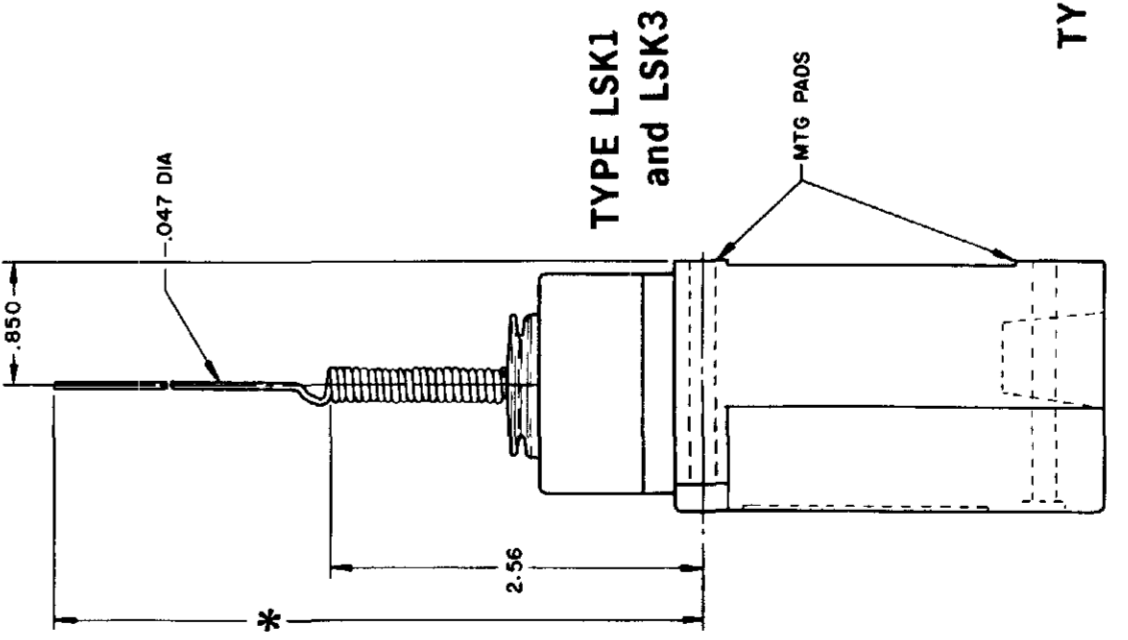


WIRE EXTENSION TYPE 7M ACTUATOR
 TYPE LSJ1 and LSJ3

REPLACEMENT ACTUATOR - LSZ 4010

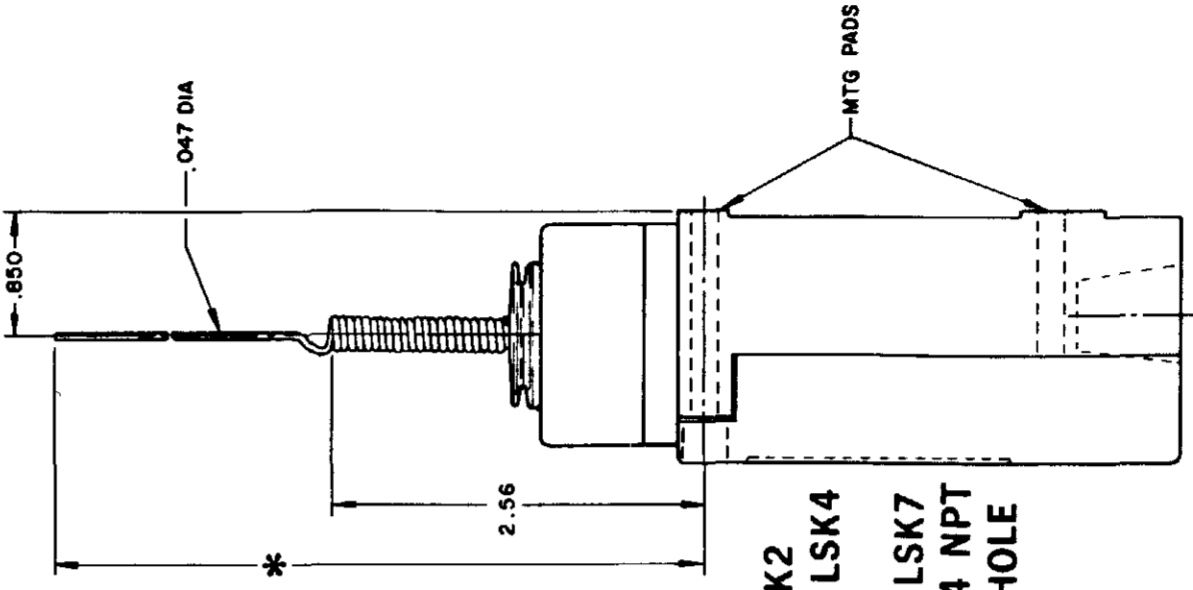
CAT WHISKER

SINGLE POLE



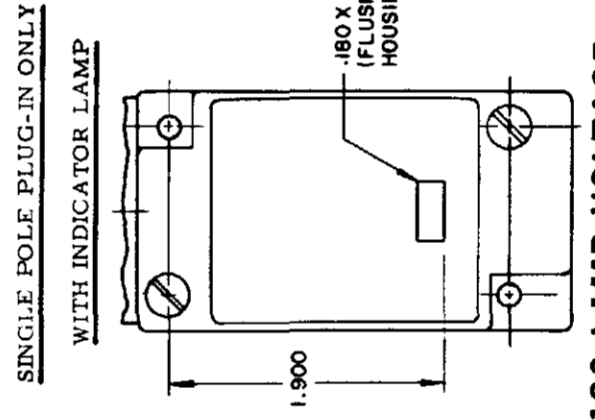
*** WIRE EXTENSION REPLACEMENT ACTUATOR**
 TYPE 8A ACTUATOR 5.5 IN.-LSZ 4012
 TYPE 8B ACTUATOR 7.5 IN.-LSZ 4013
 TYPE 8C COIL ACTUATOR 5.5 IN.-LSZ 4014
 ACTUATOR 9.5 IN. - LSZ4036

DOUBLE POLE



TYPE LSK2 and LSK4
LSK6 and LSK7
 have 1/2 - 14 NPT CONDUIT HOLE

WIRE EXTENSION
 *TYPE 8A ACTUATOR 5.5 IN.
 TYPE 8B ACTUATOR 7.5 IN.
 TYPE 8C ACTUATOR 5.5 IN.
 TYPE 8D ROD ACTUATOR 5.5 IN.



120 LAMP VOLTAGE
TYPE LSK5 - CAT WHISKER TYPE LSB5 - TOP ROTARY
240 LAMP VOLTAGE
TYPE LSK8 - CAT WHISKER TYPE LSB8 - TOP ROTARY

SCALE NONE
 DO NOT SCALE PRINT

PRETRAVEL (APPROX) IN. RADIUS	CAT. WHISKER		WOBBLE STICK	
	5/16" WIRE	7/16" WIRE	ROD	CABLE
2	2	4.5	1.0	1.5
OPERATING FORCE-OZ (MAX)	7.0	5.0	3.0	10.0
			7.0	5.0

THIS DRAWING COVERS A PROPRIETARY ITEM AND IS THE PROPERTY OF MICRO SWITCH A DIVISION OF HONEYWELL THIS DRAWING IS NOT TO BE COPIED OR USED WITHOUT THE APPROVAL OF MICRO SWITCH

MICRO SWITCH a Honeywell Division
 FED MFG CODE 91929

SWITCH - ENCLOSED

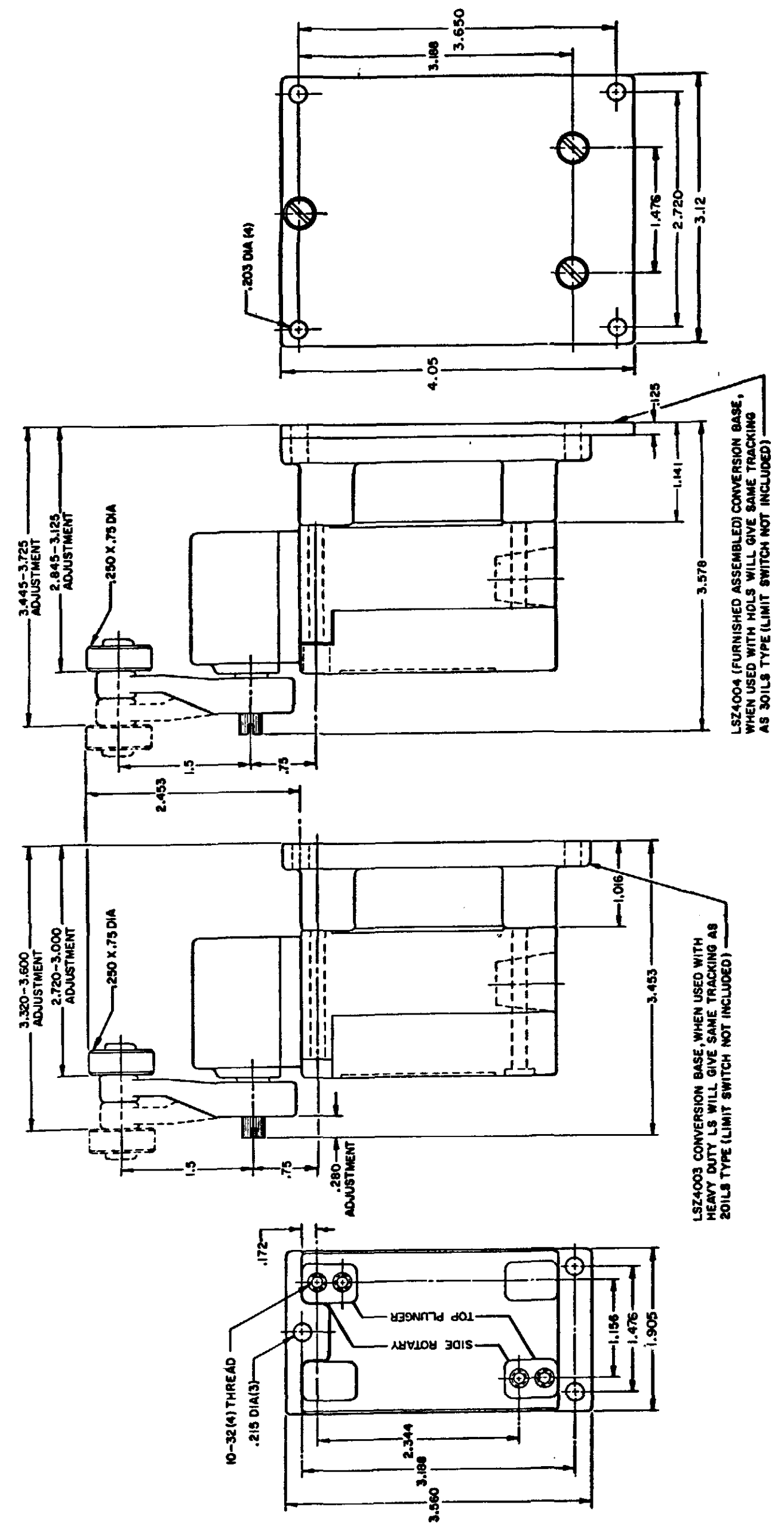
CATALOG LISTING
LSA-LSW SERIES CHART 1

ISSUE	12	PSR	10JUL07	RELEASE NO	CO-78498	REPLACES	LSA-LSW SERIES
CATALOG LISTING	LSA-LSW SERIES CHART 1						
REVISIONS	PAGE 9 OF 10						
L	0031956	BS	10JUL07	11AUG04	AK	11AUG04	11JUN 94
B	201004	CS	10AUG00	AK	11AUG04	AK	11JUN 94
C	201748	CS	23JAN01	AK	11AUG04	AK	11JUN 94
D	202198	CS	23JAN01	AK	11AUG04	AK	11JUN 94
E	204871	CS	23JAN01	AK	11AUG04	AK	11JUN 94
F	206581	CS	23JAN01	AK	11AUG04	AK	11JUN 94
G	206763	CS	23JAN01	AK	11AUG04	AK	11JUN 94
H	207179	CS	23JAN01	AK	11AUG04	AK	11JUN 94
J	207474	CS	23JAN01	AK	11AUG04	AK	11JUN 94
K	0006871	CS	23JAN01	AK	11AUG04	AK	11JUN 94

CONVERSION BASES

SINGLE POLE (SIDE ROTARY) LSZ 4003

DOUBLE POLE (SIDE ROTARY) LSZ 4004

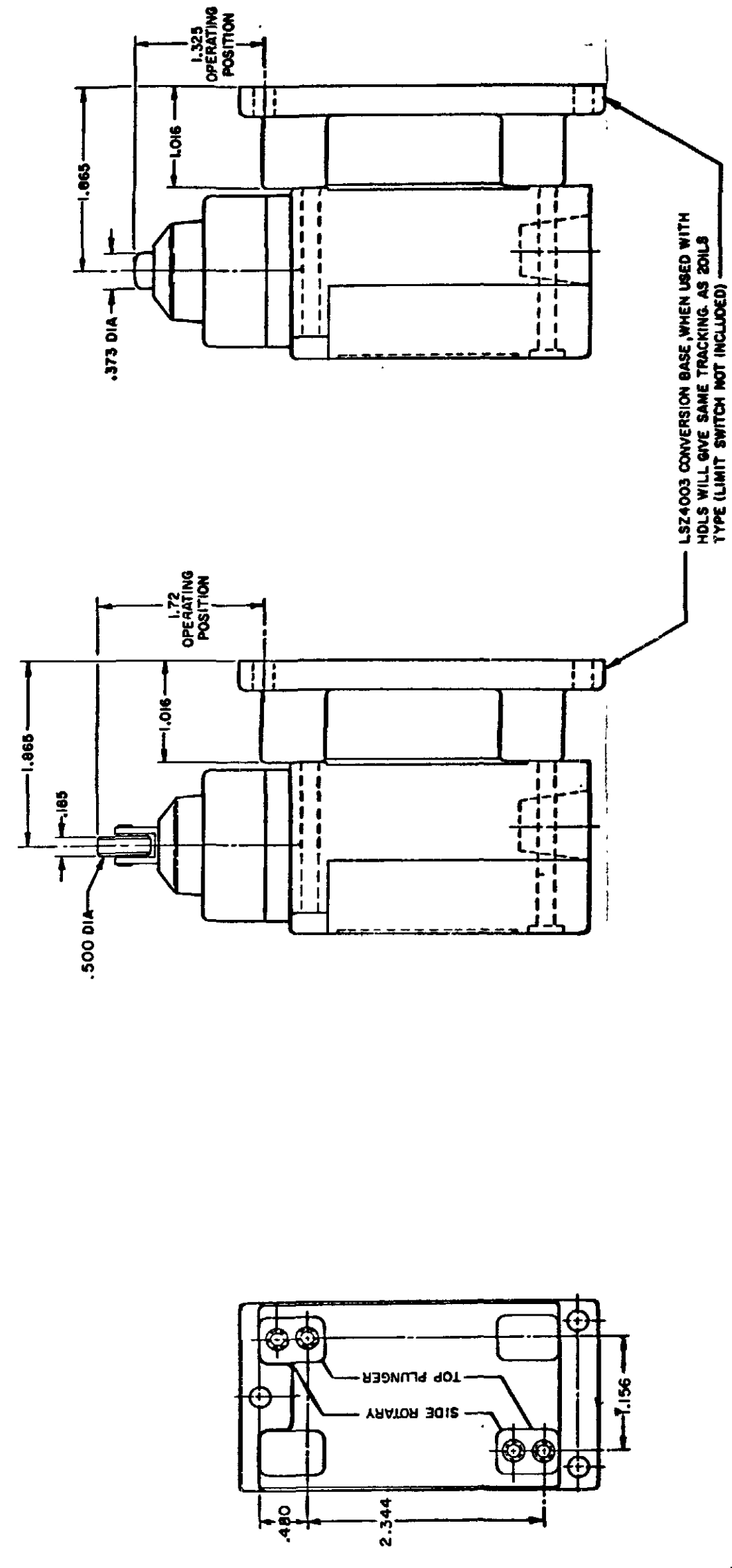


LSZ4004 (FURNISHED ASSEMBLED) CONVERSION BASE, WHEN USED WITH HOLDS WILL GIVE SAME TRACKING AS 301LS TYPE (LIMIT SWITCH NOT INCLUDED)

LSZ4003 CONVERSION BASE WHEN USED WITH HEAVY DUTY LS WILL GIVE SAME TRACKING AS 201LS TYPE (LIMIT SWITCH NOT INCLUDED)

NOTE
SEE OTHER PAGES OF LSA-LSW
(M) DRAWING FOR DIMENSION OF LIMITS

SINGLE POLE TOP PLUNGER LSZ 4003



NOTE
SEE OTHER PAGES OF LSA-LSW
(M) DRAWING FOR DIMENSION OF LIMIT SWITCH

THIS DRAWING COVERS A PROPRIETARY ITEM AND IS THE PROPERTY OF MICRO SWITCH, A DIVISION OF HONEYWELL. THIS DRAWING IS NOT TO BE COPIED OR USED WITHOUT THE APPROVAL OF MICRO SWITCH.

MICRO SWITCH
a Honeywell Division

SWITCH - ENCLOSED

CATALOG LISTING
LSA-LSW SERIES
CHART 1

SCALE FULL
DO NOT SCALE PRINT

PAGE 9 OF 10

HEAD TYPE	CELLULUBE	DETERGENT	5 STAR	ASTM #1	ASTM #2	ASTM #3	ASTM #4	HOUGHTON SAFE 271	HOUGHTON SAFE 820	HOUGHTON SAFE 1010, 1055	MINERAL OIL	PETR. OIL CRUDE	SILICON GR & OIL	SUNSAFE	BEER	STODDARD SOLV.	CHLORINATED SOLVENTS	CITRIC ACID	D-ESTER SYN. LUBRICANTS	OZONE	HYDRAUL	PROGUARD	PETRO. BASE HYDRAULIC OIL	LARD OIL	SILICATE ESTERS
LSA	4	1	1	1	1	2	1	4	1	1	1	1	1	1	4	1	2	4	4	4	4	1	1	2	
LSB	4	1	1	1	1	2	1	4	1	1	1	1	1	1	4	1	2	4	4	4	4	1	1	2	
LSC	4	2	2	1	2	4	4	2	4	2	2	1	2	1	2	4	1	4	3	4	4	2	2	2	
LSD	4	2	2	1	2	4	4	2	4	2	2	1	2	1	2	4	1	4	3	4	4	2	2	2	
LSE	4	2	2	1	2	4	4	2	4	2	2	1	2	1	2	4	1	4	3	4	4	2	2	2	
LSF	4	2	2	1	2	4	4	2	4	2	2	1	2	1	2	4	1	4	2	4	4	2	2	2	
LSG	4	2	2	1	2	4	4	2	4	2	2	1	2	1	2	4	1	4	3	4	4	2	2	2	
LSH	4	1	1	1	1	2	1	4	1	1	1	1	1	1	4	1	2	4	4	4	4	1	1	2	
LSJ	4	2	2	1	2	4	4	2	4	2	2	1	2	1	2	4	1	4	3	4	4	2	2	2	
LSK	4	2	2	1	2	4	4	2	4	2	2	1	2	1	2	4	1	4	3	4	4	2	2	2	
LSL	4	1	1	1	1	2	1	4	1	1	1	1	1	1	4	1	2	4	4	4	4	1	1	2	
LSM	4	1	1	1	1	2	1	4	1	1	1	1	1	1	4	1	2	4	4	4	4	1	1	2	
LSN	4	1	1	1	1	2	1	4	1	1	1	1	1	1	4	1	2	4	4	4	4	1	1	2	
LSP	4	1	1	1	1	2	1	4	1	1	1	1	1	1	4	1	2	4	4	4	4	1	1	2	
LSR	4	1	1	1	1	2	1	4	1	1	1	1	1	1	4	1	2	4	4	4	4	1	1	2	
LSV	4	2	2	1	2	4	4	2	4	2	2	1	2	1	2	4	1	4	3	4	4	2	2	2	
LSW	4	2	2	1	2	4	4	2	4	2	2	1	2	1	2	4	1	4	2	4	4	2	2	2	
LST	UNSEALED DEVICE, INTENDED TO MEET NEMA 1 ONLY																								
LSS	UNSEALED DEVICE, INTENDED TO MEET NEMA 1 ONLY																								

CODE: 1 SATISFACTORY 2 FAIR 3 DOUBTFUL 4 UNSATISFACTORY

TYPES	LOW LIMIT	HIGH LIMIT
LSA	+10°F	+250°F
LSB	+30°F	+250°F
LSC	+10°F	+200°F
LSD	+10°F	+200°F
LSE	+10°F	+200°F
LSF	+10°F	+200°F
LSG	+30°F	+200°F
LSH	+30°F	+250°F
LSJ	+10°F	+200°F
LSK	+10°F	+200°F
LSL	+10°F	+250°F
LSM	+30°F	+250°F
LSN	+30°F	+250°F
LSP	+10°F	+250°F
LSR	+30°F	+250°F
LSV	+10°F	+200°F
LSW	+10°F	+200°F
LST	+30 F	+170°F
LSS	+30°F	+170°F

CATALOG LISTING
M LSA-LSW SERIES CHART 1
 PAGE 10 OF 10
 ISSUE 12
 PSR 10JUL07
 CHECK 11AUG04
 REVISIONS:
 L 0031956 BS 10JUL07
 B 201004 CS 10 AUG 00
 C 201748 CS 17 NOV 00
 D 202198 CS 23 JAN 01
 E 204871 G J W FEB 02
 F 206581 GLH 14 OCT 02
 G 206783 CS 31 OCT 02
 H 207179 GLH 14 JAN 03
 J 207474 TSM 18 FEB 03
 K 0006871 KR 11AUG04
 DRAWN MAM 15 JUN 94
 CHECK JAF 11 JUL 94
 RASTER

THIS DRAWING COVERS A PROPRIETARY ITEM AND IS THE PROPERTY OF MICRO SWITCH A DIVISION OF HONEYWELL THIS DRAWING IS NOT TO BE COPIED OR USED WITHOUT THE APPROVAL OF MICRO SWITCH

MICRO SWITCH
a Honeywell Division

SWITCH - ENCLOSED

LSA-LSW SERIES
CHART 1

FED. MFG. CODE 91929