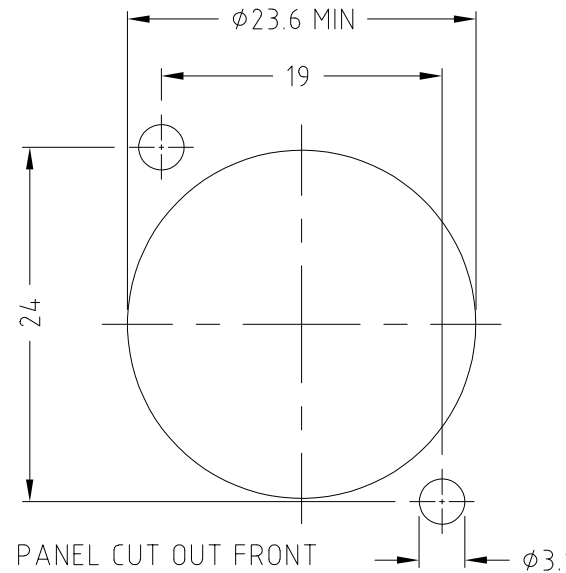
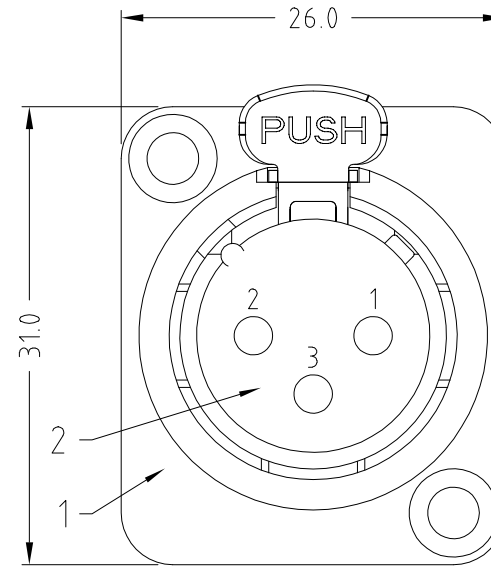
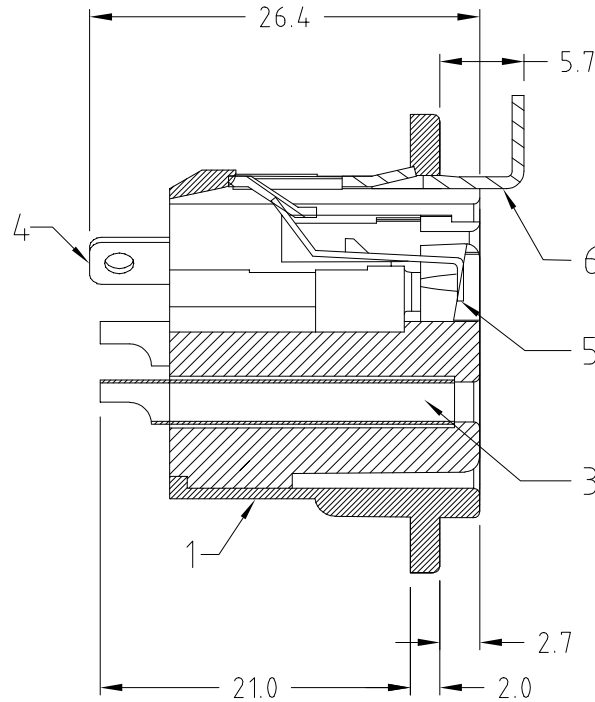
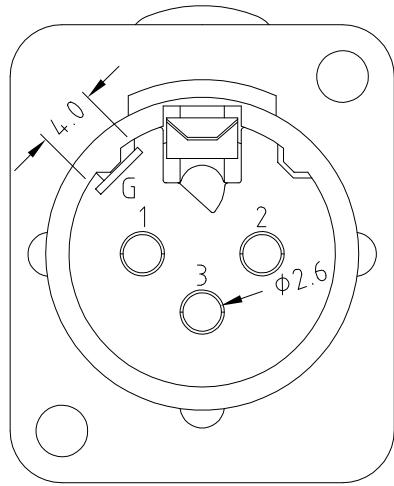


ISS.	AMEND	DATE
1	ISSUED	27/09/18
2	AMEND MATERIAL	16/11/18



**NOTE**

Contact Resistance:  $\approx 7m\Omega$   
 Insulation Resistance:  $\approx 5000M\Omega$   
 Withstand Voltage: 1400V  
 Durability (Mating / Unmating):  $\approx 2000$   
 Insertion and Extraction Force: 10-80N

ITEM	DESCRIPTION	MATERIAL	FINISH
1	FRAME	ZINC ALLOY	BLACK NICKEL
2	INSERT	PBT	BLACK
3	CONTACT (3x)	BRASS	GOLD PLATE
4	GROUND	BRASS	SILVER PLATE
5	SPRING	SPRING STEEL	-
6	LATCH	SPRING STEEL	NICKEL PLATE

**RoHS**  
**COMPLIANT**

**TOLERANCE**  
 NO DEC. PLACE  $\pm$   
 1 DEC. PLACE  $\pm$   
 2 DEC. PLACE  $\pm$   
 HOLE  $\phi \pm$   
 ANGLES  $\pm$   
 UNLESS OTHERWISE STATED

DO NOT SCALE

**Cliff Electronic Components Ltd.**

76 Holmethorpe Avenue, Holmethorpe Industrial Estate,  
 Redhill, Surrey, RH1 2PF, England, UK  
 Tel: 01737-771375 Fax: 01737-766012 Website: www.cliffuk.co.uk

THE CONTENTS OF THIS DOCUMENT MUST NOT BE COPIED OR DISCLOSED TO A 3rd PARTY WITHOUT WRITTEN PERMISSION OF CLIFF UK. © 2018

DIMENSIONS IN MILLIMETERS UNLESS OTHERWISE STATED. WORK TO DIMENSIONS. REMOVE ALL BURRS. IF IN DOUBT ASK.

3rd ANGLE PROJECTION:

MATERIAL: SEE TABLE

FINISH: BLACK - SEE TABLE

DRAWN: T.J.O.

APPROVED: D.P.J.

TITLE: XLR SKT FEMALE 3DCF/BM LATCH (BLACK)

DRWG. No. **FC61900**

FORM: A4DRWGH