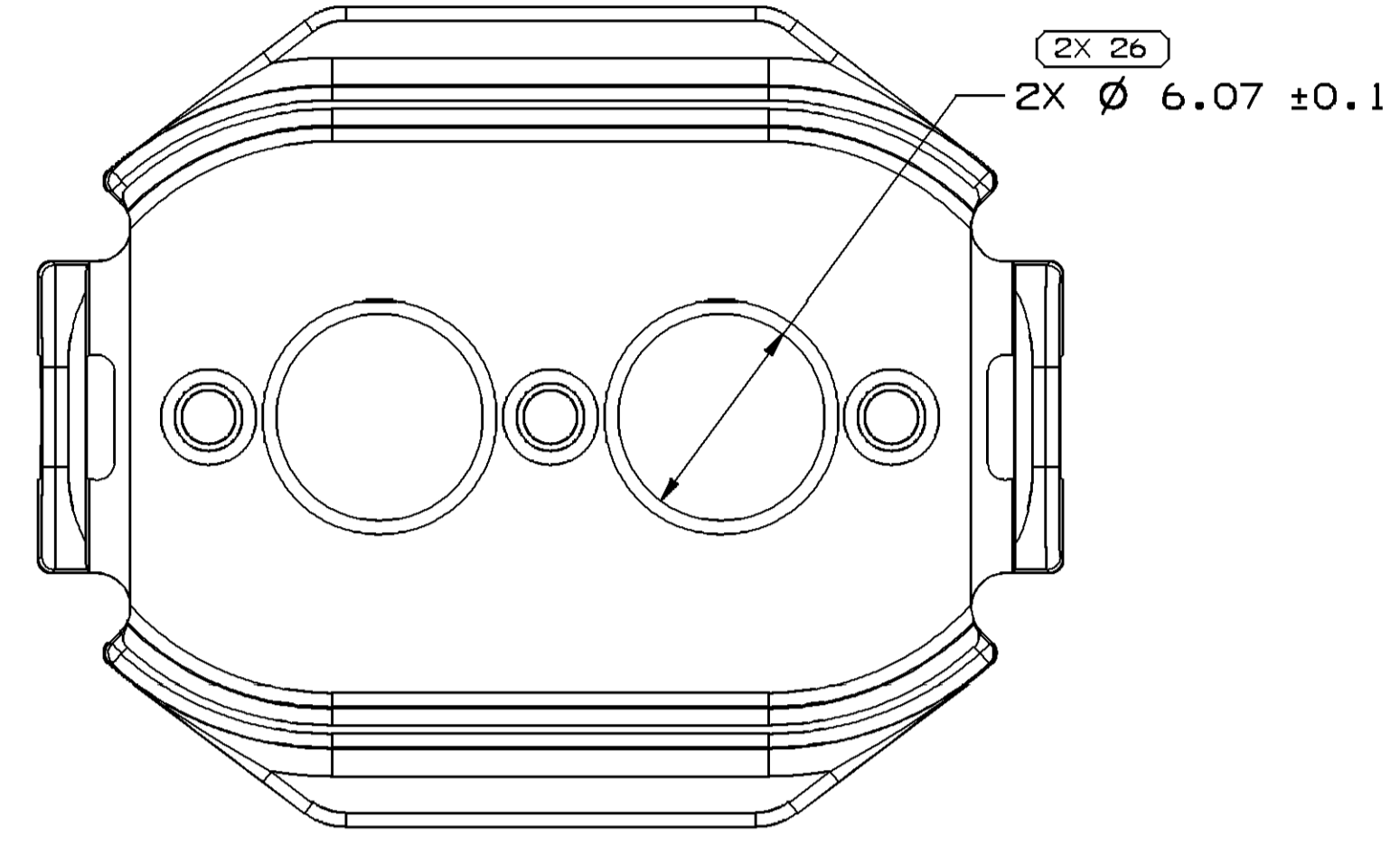
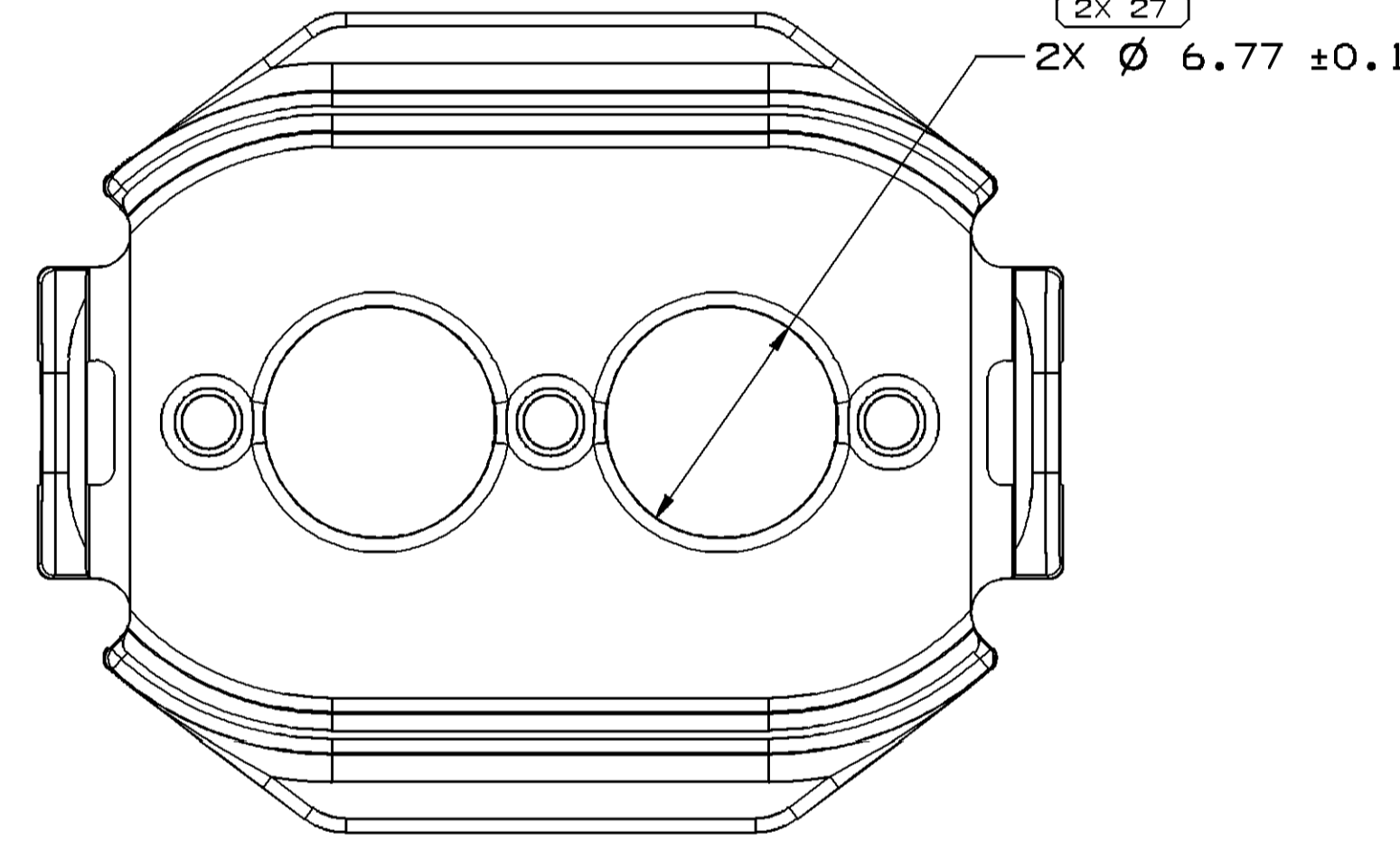


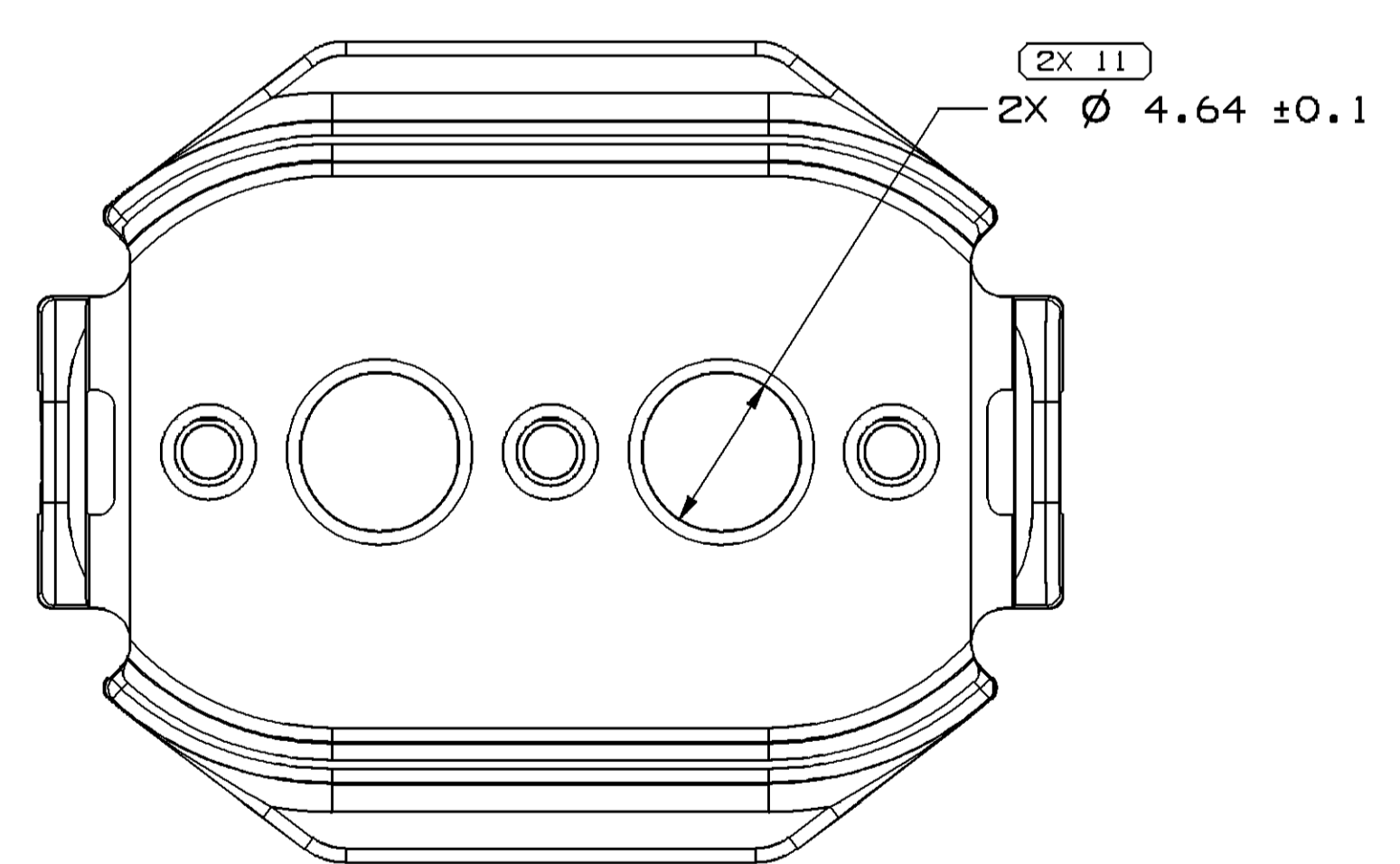
TYPE 106
SAME AS TYPE 101
EXCEPT AS SHOWN



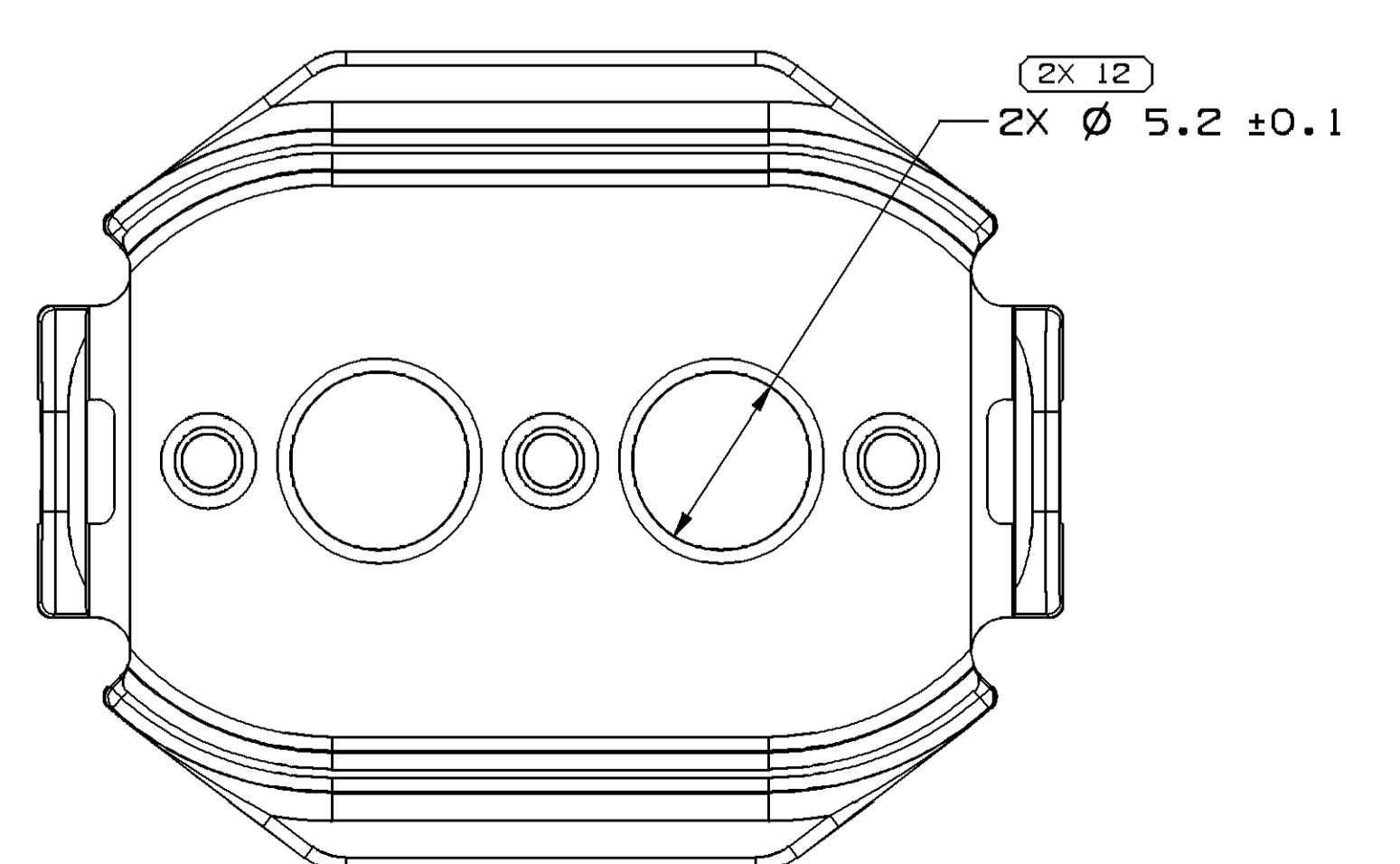
TYPE 105
SAME AS TYPE 101
EXCEPT AS SHOWN



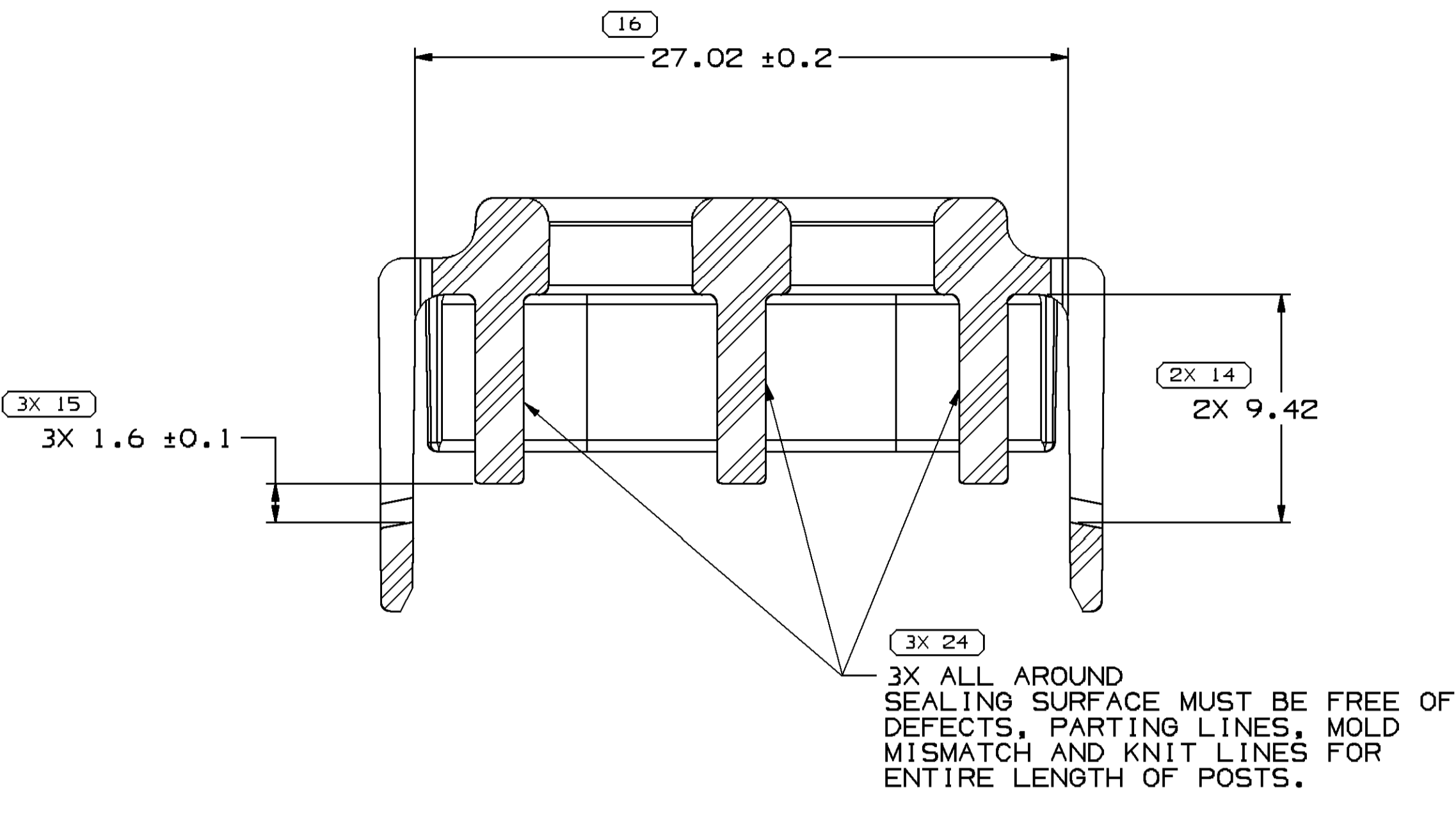
TYPE 104
SAME AS TYPE 101
EXCEPT AS SHOWN



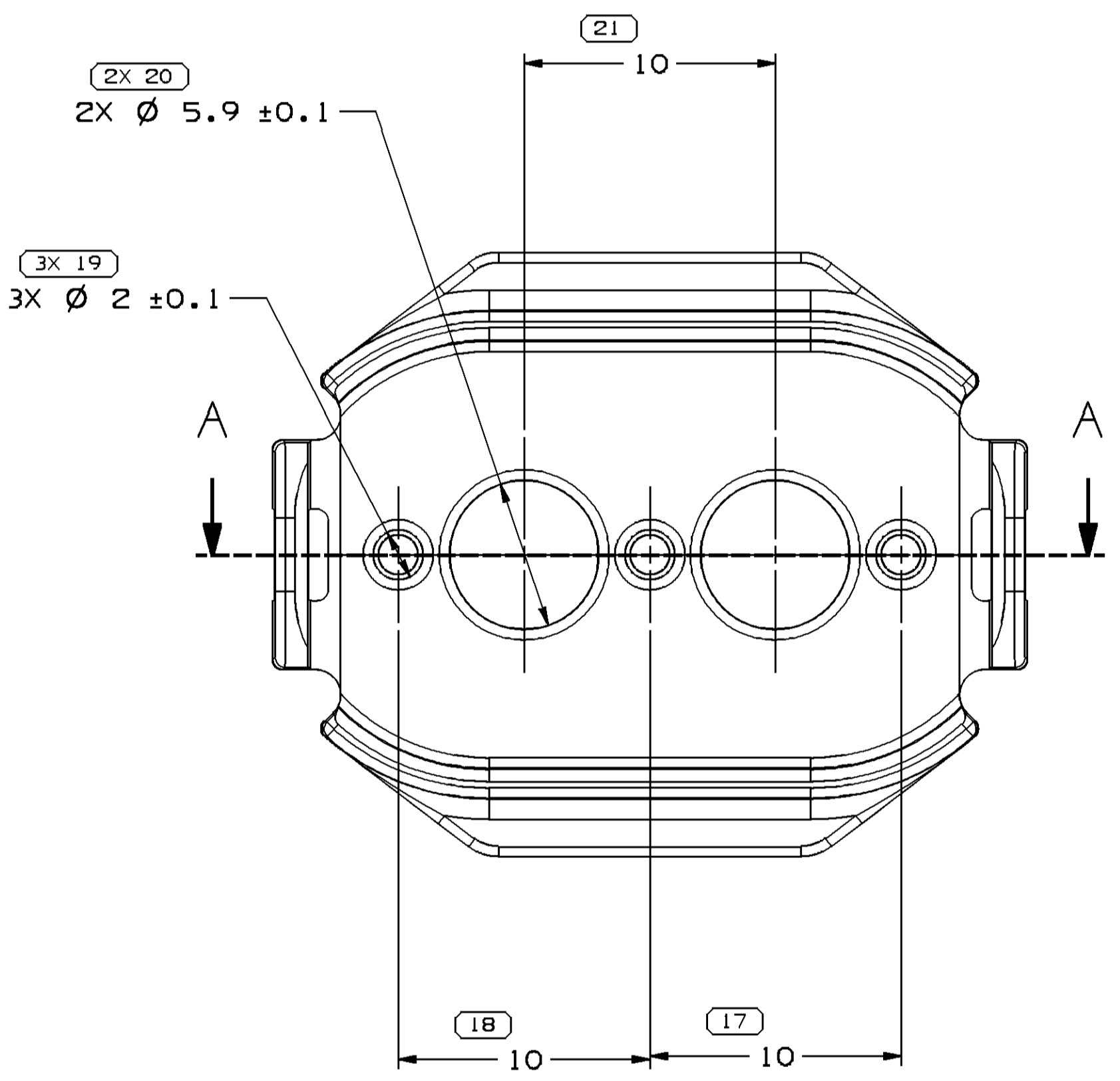
TYPE 103
SAME AS TYPE 101
EXCEPT AS SHOWN



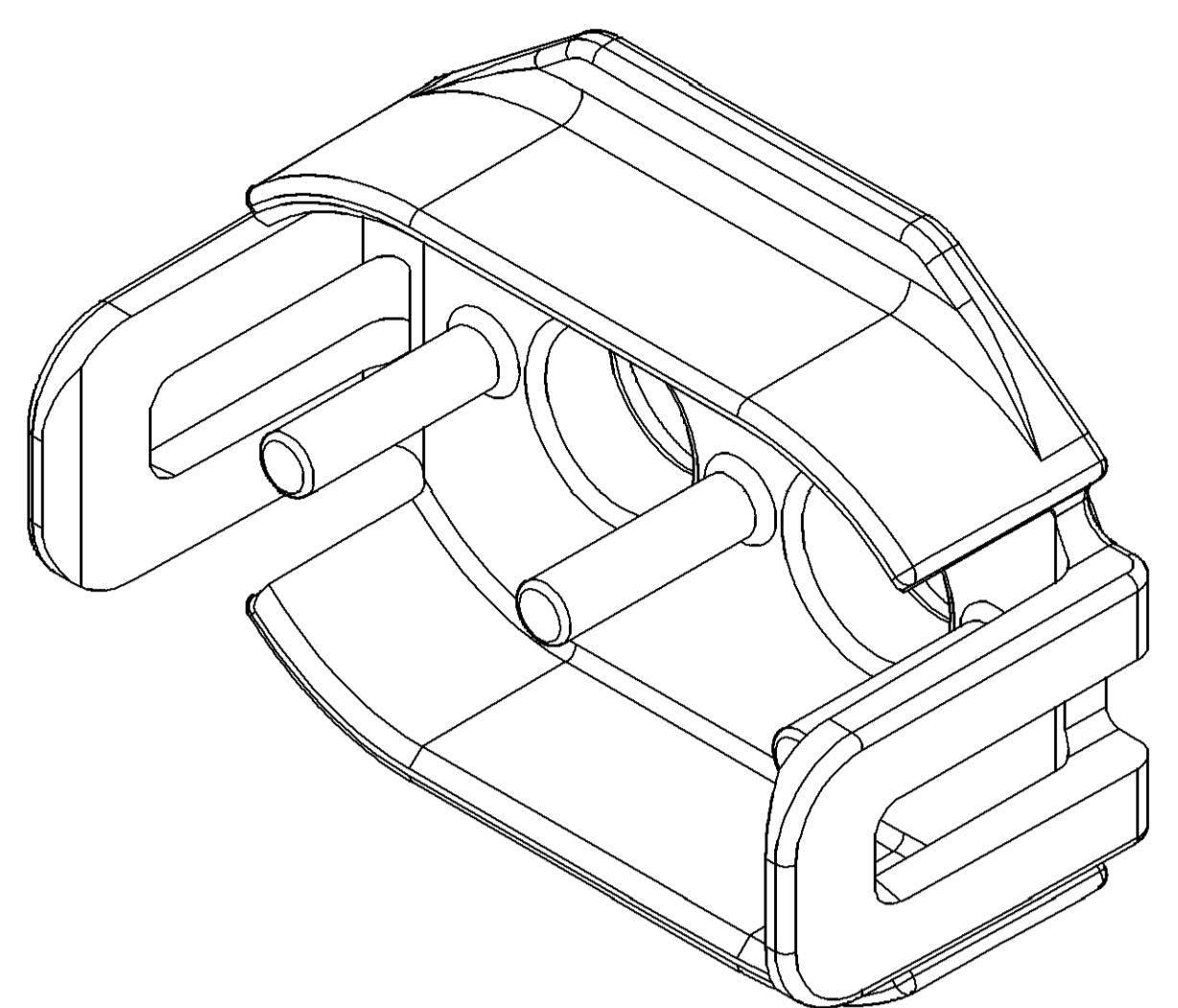
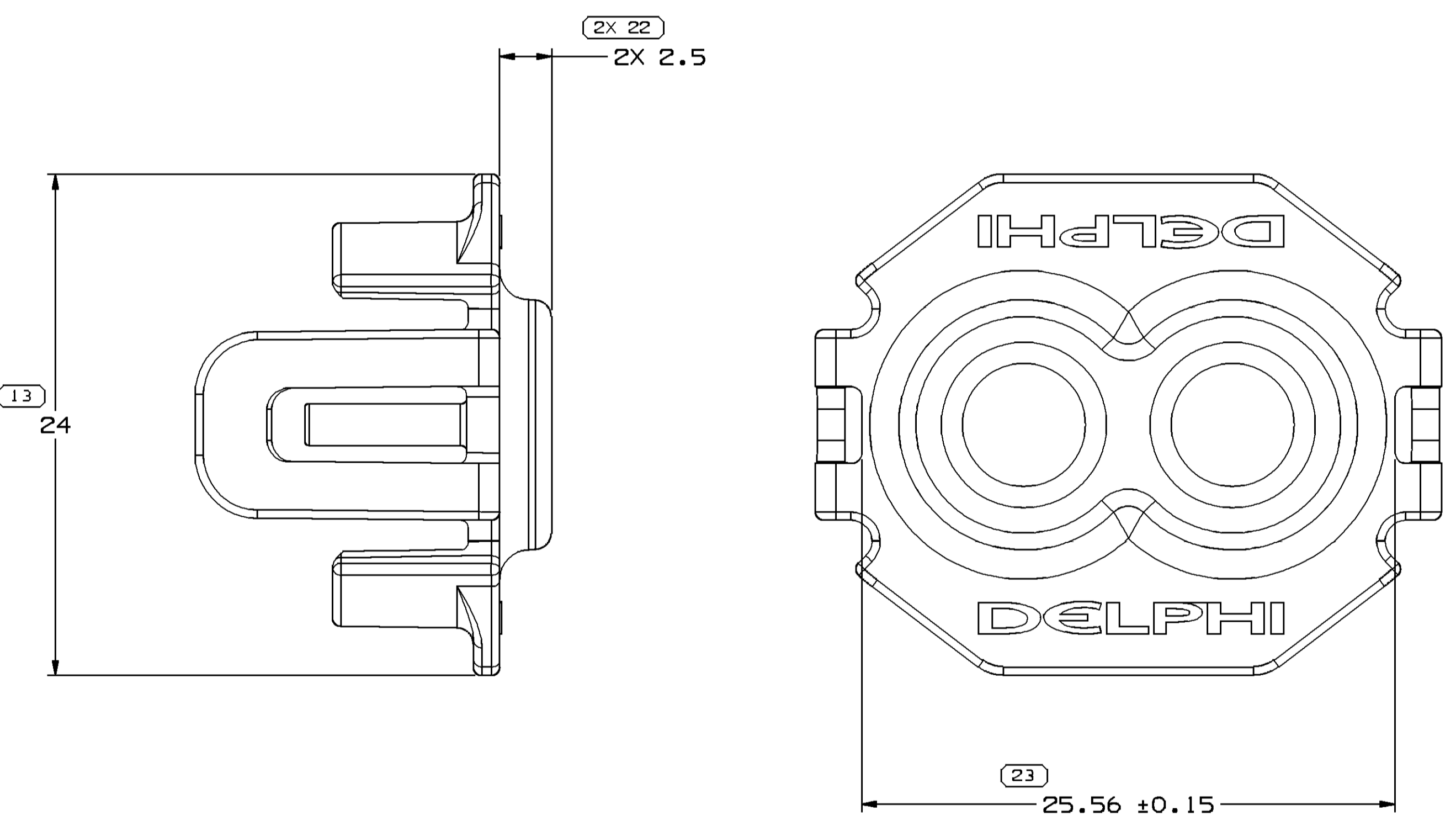
TYPE 102
SAME AS TYPE 101
EXCEPT AS SHOWN



SECTION A - A



TYPE 101



SYMBOL DEFINITION			TOTAL NO OF INSPECTIONS REQUIRED	
A	DIMENSION WITHOUT AN INSPECTION REPORT SYMBOL DOES NOT REQUIRE INSPECTION. IT MAY BE CONTROLLED ON THE INDIVIDUAL COMPONENT DRAWING.		31	
		LAST NO. USED	27	

MISSING SYMBOLS			
DATE	STG	REV	1-10

REVISION HISTORY					
DATE	STG	REV	N/P	ZONE	DESCRIPTION
02.JN10	R	01	-	-	ALL PARTS-CREATED PART DRAWING
15.JN10	R	02	-	-	ALL PARTS-PROCESS SENSITIVE DIMENSION WAS DIM 16
22.JL10	R	03	-	-	UPDATED PDM ATTRIBUTES
17.ND10	R	04	-	-	ALL PARTS-DIM 15 WAS 2.2, ADDED MATERIAL 2 PLACES & ADDED DIMS 23-24. REMOVED SEAL SURFACE NOTE.
05.AU11	R	05	-	-	ADDED TYPES 104-106 & DIMS 25-27. TYPES 101, 102 & 103-RELOCATED DIM 16.
14.MR12	R	06	-	-	ALL PARTS-DIM 16 WAS 27.02 ± 0.18.
25.JN12	R	07	-	-	ALL PARTS-ADDED APPLICABLE CABLE SEAL TO CHART.

PART NUMBER	REV	N/P	TYPE	MATERIAL SPECIFICATION	VOL (CM³)	CABLE OD RANGE	SHIELDED, JACKETED CABLE SIZE	APPLICABLE CABLE SEAL OR EQUIVALENT
13888073	01	AB	106	POLYESTER COMPOUND RED	1.915	5.5 - 5	3 MM² (ISO)	13887974
13888072	01	AB	105	POLYESTER COMPOUND GRN	1.892	5.8 - 5.3	4 MM² (ISO)	13887973
13888071	01	AB	104	POLYESTER COMPOUND NAT	1.831	6.5 - 6	5 MM² (ISO)	13887943
13824780	03	AB	103	POLYESTER COMPOUND GRA	1.986	4.37 - 4.17	2 MM² (SAE)	13824776
13824779	03	AB	102	POLYESTER COMPOUND ORANGE	1.953	4.93 - 4.73	3 MM² (SAE)	13824775
13824778	03	AB	101	POLYESTER COMPOUND BLK	1.902	5.66 - 5.4	5 MM² (SAE)	13824774

- NOTES
- UNLESS OTHERWISE SPECIFIED AND/OR INDICATED: DIMENSIONS ARE TO FACE OF VIEW SHOWN AND AUTOMATICALLY ROUNDED BY COMPUTER FOR INSPECTION (SEE MATH MODEL FOR PRECISE DIMENSIONS). FOR ALL OTHER DIMENSIONS NOT SHOWN BUT REQUIRED FOR TOOL BUILD, SEE MATH MODEL FOR PRECISE TOOL PATH DATA.
 - PARTS SHOWN ON THIS DRAWING ACCEPT ASSEMBLIES SHOWN ON TAXI 13830164.
 - (1.5)X(0.1) DELPHI CORPORATE BRAND TO BE LOCATED ON ANY EXTERIOR SURFACE, PREFERABLY VISIBLE AT FINAL ASSEMBLY.

DIMENSIONAL RANGE (MM)	TOLERANCE UNLESS OTHERWISE SPECIFIED	ANGULAR TOLERANCE
FROM > 0 TO > 20	±0.15	±2°
> 20 TO > 30	±0.2	±2°
> 30 TO > 40	±0.3	±2°
> 40 TO > 50	±0.4	±2°
> 50 TO > 60	±0.5	±2°
> 60 TO > 70	±0.6	±2°
> 70 TO > 80	±0.7	±2°
> 80 TO > 90	±0.8	±2°
> 90 TO > 100	±0.9	±2°
> 100 TO > 150	±1.0	±2°
> 150 TO > 200	±1.2	±2°
> 200 TO > 250	±1.5	±2°
> 250 TO > 300	±1.8	±2°
> 300 TO > 400	±2.0	±2°

DELPHI
DELPHI PACKARD ELECTRICAL/ELECTRONIC ARCHITECTURE
WARREN, OH
COPYRIGHT 2010 DELPHI CORPORATION AND/OR ITS AFFILIATES. ALL RIGHTS RESERVED.
THIS DRAWING IS THE PROPERTY OF DELPHI CORPORATION. THE REPRODUCTION, DISTRIBUTION AND UTILIZATION OF THIS DOCUMENT OR ITS RELATED CAD DATA AS WELL AS COMMISSION OF ANY CONTENT TO OTHERS, WITHOUT EXPRESS AUTHORIZATION IS PROHIBITED.

DATE: 02.JN10
OR: L. JONES
APV02: L. JONES
APV03: N. LIPTAK
APV04:

SUBSTANCES OF CONCERN AND RECYCLED CONTENT PER DELPHI (0944901)

DRAWING NUMBER: 13830200

SIZE: A0 SCALE: 5:1 FRAME NO: 1 OF 1 SHEET NO: 1 OF 1 STG: R 07