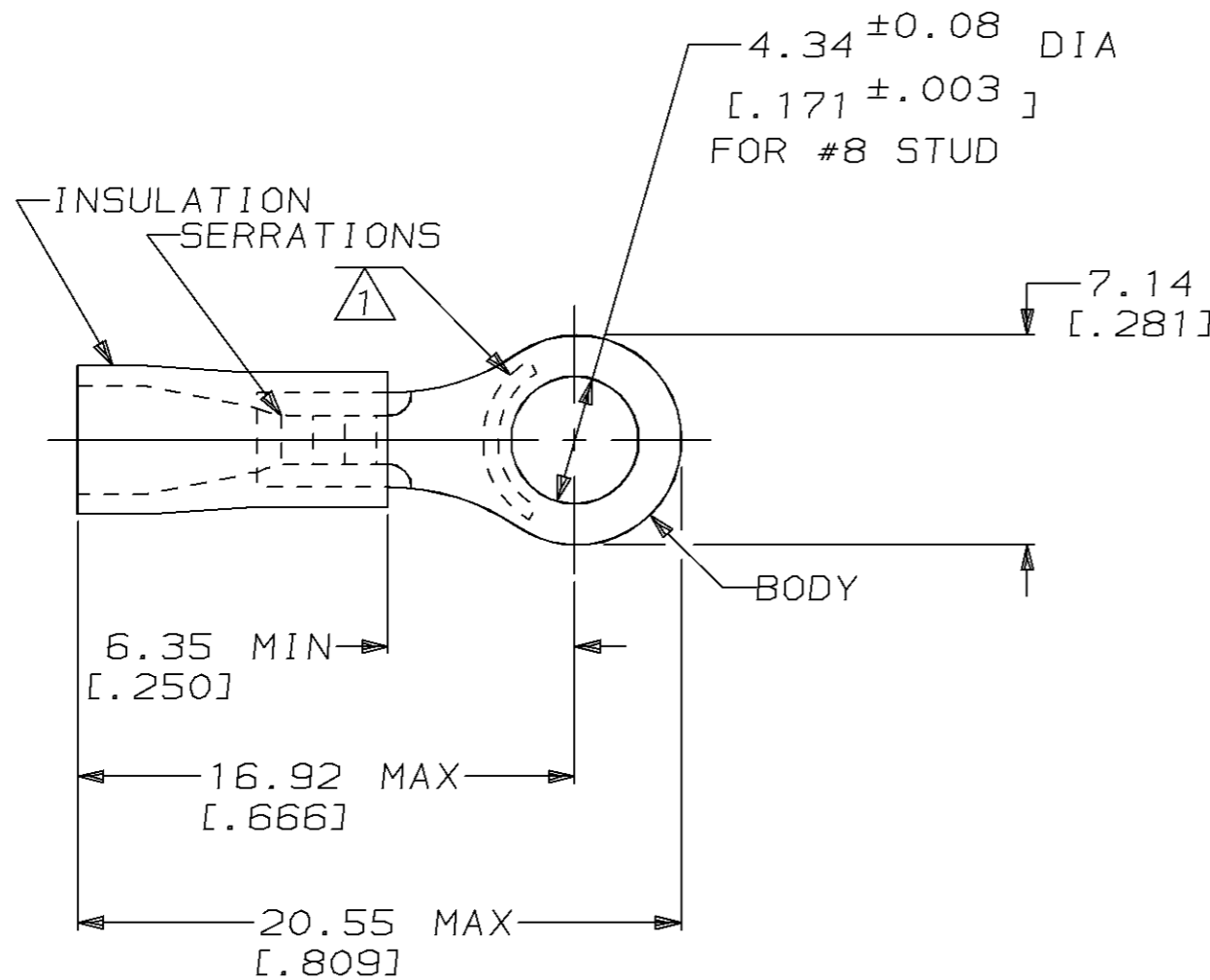


THIS DRAWING IS UNPUBLISHED. RELEASED FOR PUBLICATION, 19 .
 © COPYRIGHT 19 BY AMP INCORPORATED. ALL INTERNATIONAL RIGHTS RESERVED.

LOC	DIST	P	F	REVISIONS				
G	14			ZONE	LTR	DESCRIPTION	DATE	APPD
					J	REV / 0720-0953-96	18JUN96	MLE BB

AMP WIRE RANGE	UL Listed	SR LR7189 Certified
22-16 AWG SOLID OR STRANDED	22-16 AWG SOLID OR STRANDED	22-16 AWG SOLID OR STRANDED



- ① STAMP AMP 22-18* APPROX AS SHOWN
22-16 TERMINALS ARE STAMPED 22-18 IN
ACCORDANCE WITH MILITARY SPEC MIL-T-7928
COMMERCIAL WIRE RANGE IS 22-16
- 2 WIRE INSULATION DIA: 2.67-3.56 [.105-.140]
- 3 TONGUE MATERIAL THK: 0.79±0.05 [.031±.002]
- ④ SUPERSEDED BY 8-34145-1

QUANTITY	PACKAGE TYPE	PART NO
50	LOOSE PC, BAG	8-34145-5 ④
5	LOOSE PC, BLS	8-34145-4
100	LOOSE PC, BOX	8-34145-1
5000	ON TAPE, REEL	2-34145-1
1000	LOOSE PIECE	34145

AMP INCORPORATED CUSTOMER SERVICE SYSTEMS		MAX RECOMMENDED OPERATING TEMPERATURE: 90°C [194°F]	DO NOT SCALE PRINT, UNLESS SPECIFIED DIMENSIONS IN mm [INCHES] TOLERANCES ON: 2 PLC DEC ± 0.20 [.008] 3 PLC DEC ± - ANGLES ± -	DR 08/06/92 DK SCHRUM	AMP AMP Incorporated Harrisburg, PA 17105-3608
		VOLTAGE RATING: 600V MAX 1000V (FIXTURE OR SIGNS)		CHK 11/10/92 RE HERSEY	
FOR ADDITIONAL PRODUCT INFORMATION OR COPIES OF DRAWINGS AND TECHNICAL DOCUMENTS	PRODUCT INFORMATION CENTER 1-800-522-6752	CIRCULAR MIL AREA: 0.26-1.65mm² [509-3,260]	MATERIAL COPPER PER ASTM B-152 PVC, COLOR, RED	APPD 11/10/92 ML ELLIS	NAME TERMINAL, RING TONGUE, PLASTI-GRIP™ WIRE SIZE, 22-16 AWG
FOR APPLICATION TOOLING INFORMATION	TOOLING ASSISTANCE CENTER 1-800-722-1111	THIS DRAWING IS A CONTROLLED DOCUMENT FOR AMP INCORPORATED. IT IS SUBJECT TO CHANGE AND THE CONTROLLING ENGINEERING ORGANIZATION SHOULD BE CONTACTED FOR THE LATEST REVISION.	FINISH TIN PLATE PER MIL-T-10727	APPD 11/10/92 M BARNABA	
FOR ORDER ENTRY	1-800-526-5142				PRODUCT SPEC UL 486A
				APPLICATION SPEC -	SCALE 4:1 SHEET 1 OF 1
				WEIGHT -	