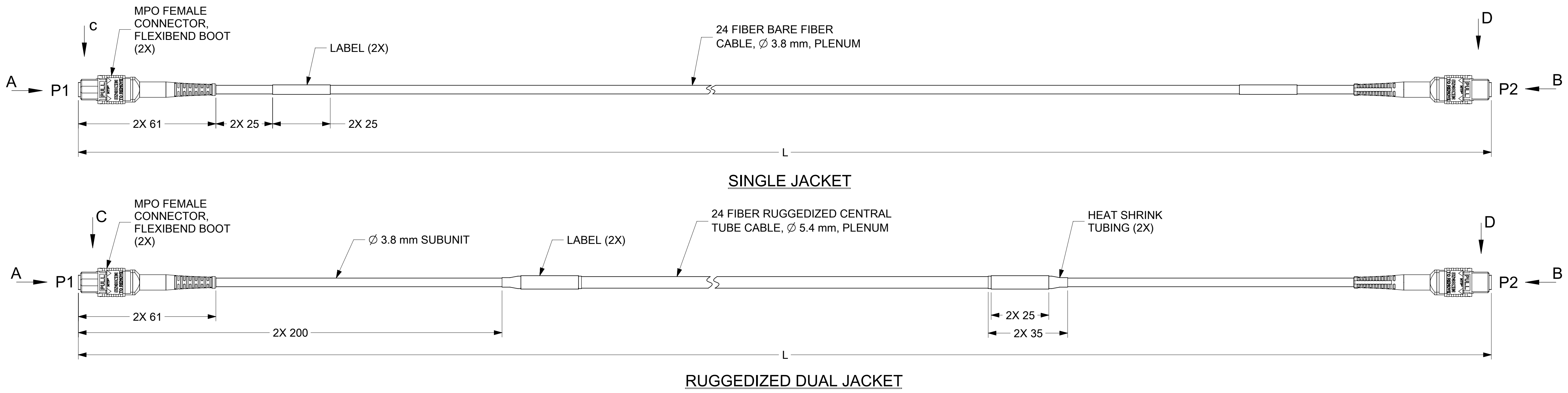
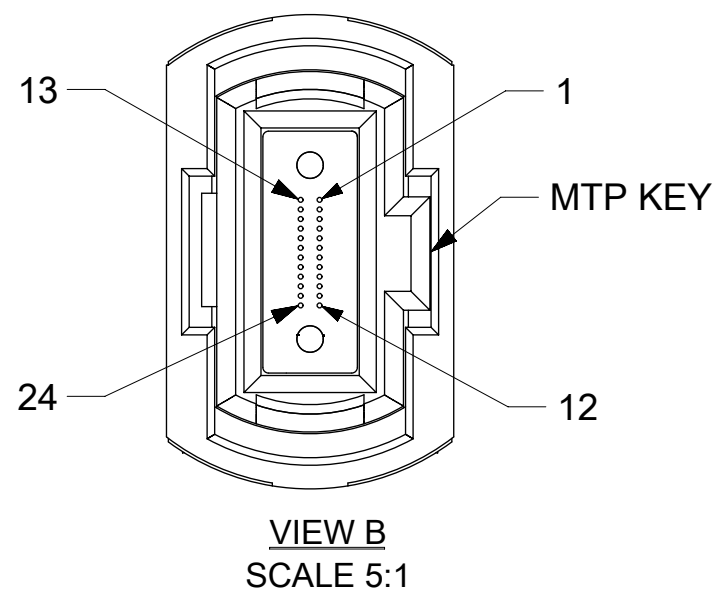
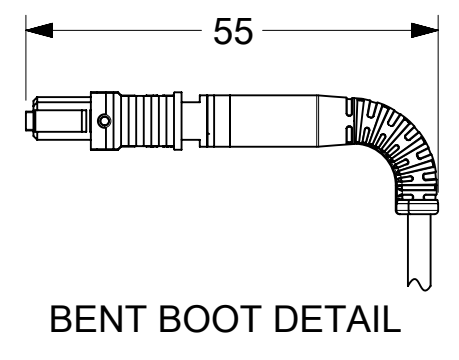
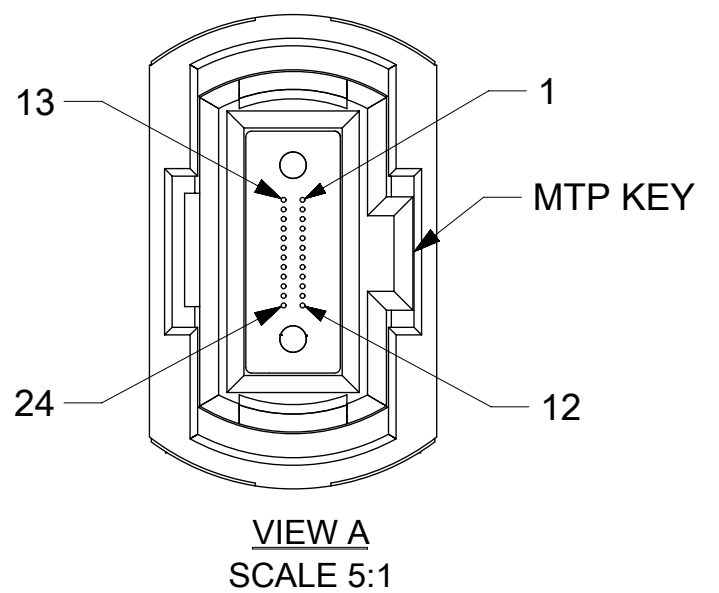


TRUNK CABLE P/N	OVERALL LENGTH, L (m)	CABLE TYPE	FIBER TYPE	CONNECTOR/CABLE COLOR	INSERTION LOSS	RETURN LOSS
1062250085	1.0 +0.2 / -0	SINGLE JACKET	MM 50/125 μm OM3 BIF	AQUA / AQUA	0.5 dB @ 850 nm	---
1062250086	3.0 +0.2 / -0					
1062250087	5.0 +0.2 / -0					
1062250037	10.0 +0.2 / -0					
1062250088	15.0 +0.3 / -0					
1062250038	25.0 +0.5 / -0	RUGGEDIZED DUAL JACKET				
1062250039	50.0 +1.0 / -0					
1062250040	100.0 +2.0 / -0	SINGLE JACKET	MM 50/125 μm OM4 BIF			
1062250089	1.0 +0.2 / -0					
1062250090	3.0 +0.2 / -0					
1062250091	5.0 +0.2 / -0					
1062250041	10.0 +0.2 / -0					
1062250092	15.0 +0.3 / -0	RUGGEDIZED DUAL JACKET				
1062250042	25.0 +0.5 / -0					
1062250043	50.0 +1.0 / -0	SINGLE JACKET	SM 9/125 μm OS2 ITU-T G.657.A1 BIF	YELLOW / YELLOW	0.5 dB @ 1550 nm	- 50 dB @ 1550 nm
1062250044	100.0 +2.0 / -0					
1062250093	1.0 +0.2 / -0					
1062250094	3.0 +0.2 / -0					
1062250095	5.0 +0.2 / -0					
1062250045	10.0 +0.2 / -0	RUGGEDIZED DUAL JACKET				
1062250096	15.0 +0.3 / -0					
1062250046	25.0 +0.5 / -0					
1062250047	50.0 +1.0 / -0					
1062250048	100.0 +2.0 / -0					

CONNECTIONS	
FROM	TO
P1-1 THRU P1-12	P2-13 THRU P2-24
P1-13 THRU P1-24	P2-1 THRU P2-12



- NOTES:
1. ENDCAPS ARE NOT SHOWN BUT INLCUDED.
 2. LABEL IS PRINTED WITH MOLEX P/N AND SERIAL NUMBER.
 3. FOR DETAILED PRODUCT SPECIFICATION SEE DOCUMENT 1062250000 ES.
 4. CABLE CONSTRUCTION:
 - L < 25 meters - SINGLE JACKET CABLE
 - L ≥ 25 meters - RUGGEDIZED CENTRAL TUBE CABLE
 5. INSERTION LOSS TEST DATA IS PROVIDED WITH EACH SHIPMENT.
 6. PACKAGING:
 - L < 50 meters - INDIVIDUALLY COILED AND BAGGED
 - L ≥ 50 meters - SHIPPED ON SPOOLS



THIS DRAWING CONTAINS INFORMATION THAT IS PROPRIETARY TO MOLEX ELECTRONIC TECHNOLOGIES, LLC AND SHOULD NOT BE USED WITHOUT WRITTEN PERMISSION

DIMENSION UNITS	SCALE	CURRENT REV DESC:	
mm	1:1		
GENERAL TOLERANCES (UNLESS SPECIFIED)		EC NO: 707629	
ANGULAR TOL	± °	DRWN: IGUMIN	2022/05/17
4 PLACES	±	CHK'D: GGANCHANOK	2022/05/25
3 PLACES	±	APPR: GGANCHANOK	2022/05/25
2 PLACES	±	INITIAL REVISION:	
1 PLACE	±	DRWN: IGUMIN	2017/03/13
0 PLACES	±	APPR: IGUMIN	2017/03/21
DRAFT WHERE APPLICABLE MUST REMAIN WITHIN DIMENSIONS	THIRD ANGLE PROJECTION	DRAWING	SERIES
		D-SIZE	106225
DOCUMENT NUMBER		DOC TYPE	DOC PART
1062250037		PSD	000
MATERIAL NUMBER		CUSTOMER	SHEET NUMBER
SEE TABLE			1 OF 1