

# Spezifikation für Freigabe / specification for release

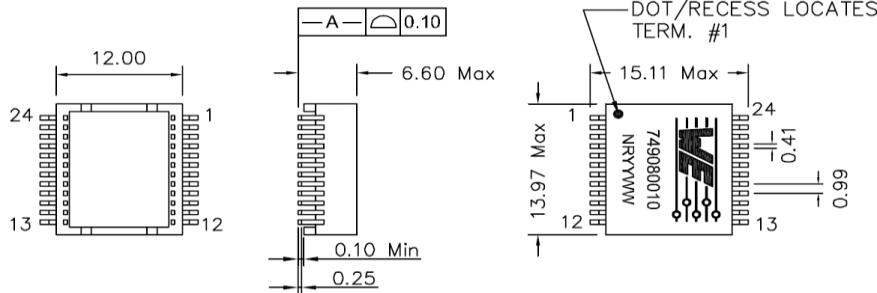
Kunde / customer :  
 Artikelnummer / part number : **749080010**  
 Bezeichnung : **LAN-Übertrager WE-LAN 2.5G/5G**  
 description : **LAN-Transformer WE-LAN 2.5G/5G**



DATUM / DATE : 2017-07-04

## A Mechanische Abmessungen / dimensions :

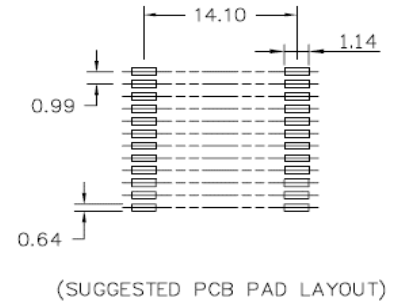
**2.5G/5G BaseT**



## B Elektrische Eigenschaften / electrical properties :

Eigenschaften / properties	Testbedingungen / test conditions		Wert / value	Einheit / unit	tol.
Induktivität / Inductance	100kHz / 100mV @ 8mA DC-Bias	OCL	200	µH	min.
Übersetzungsverhältnis / Turns ratio	100kHz / 100mV	TR	1:1		±2%
Insertion Loss	100kHz-1MHz	IL	-3,0	dB	max.
	1MHz-250MHz		-1,3		
Return Loss	1MHz-40MHz	RL	-18,0	dB	min.
	40MHz-100MHz		-13,0		
	100MHz-200MHz		-10,0		
	200MHz-250MHz		-9,0		
Common to Differential Mode Rejection	1MHz-250MHz	CDMR	-30,0	dB	min.
Crosstalk	1MHz-100MHz	CT	-40,0	dB	min.
	100MHz-250MHz		-30,0		

## C Lötpad / soldering spec. :



## D Prüfgeräte / test equipment :

Agilent E5071C

## E Testbedingungen / test conditions :

Luftfeuchtigkeit / Humidity: 33%  
 Umgebungstemperatur / Temperature: +25°C

## F Werkstoffe & Zulassungen / material & approvals :

Basismaterial / Base material: Ferrit / Ferrite  
 Draht / Wire: 0UEW/Y 180  
 Kontaktmaterial / Contact plating: Cu-Ni-Sn  
 Gehäuse / Case: UL94V-0  
 Verguss / Potting: UL94V-0

## G Eigenschaften / general specifications :

Betriebstemp. / operating temperature: -40°C - +85°C  
 Hochspannungsprüfung / Hipot test: 1500Vrms 1min.  
 Feuchteempfindlichkeit: MSL 1 / Humidity class: MSL 1

Freigabe erteilt / general release:	<b>Kunde / customer</b>		
.....	.....		
Datum / date	Unterschrift / signature		
	<b>Würth Elektronik</b>		
.....	.....	JaB	Version 01
Geprüft / checked	Kontrolliert / approved	JaB	Preliminary
		Name	Änderung / modification
			Datum / date

### Würth Elektronik eiSos GmbH & Co.KG

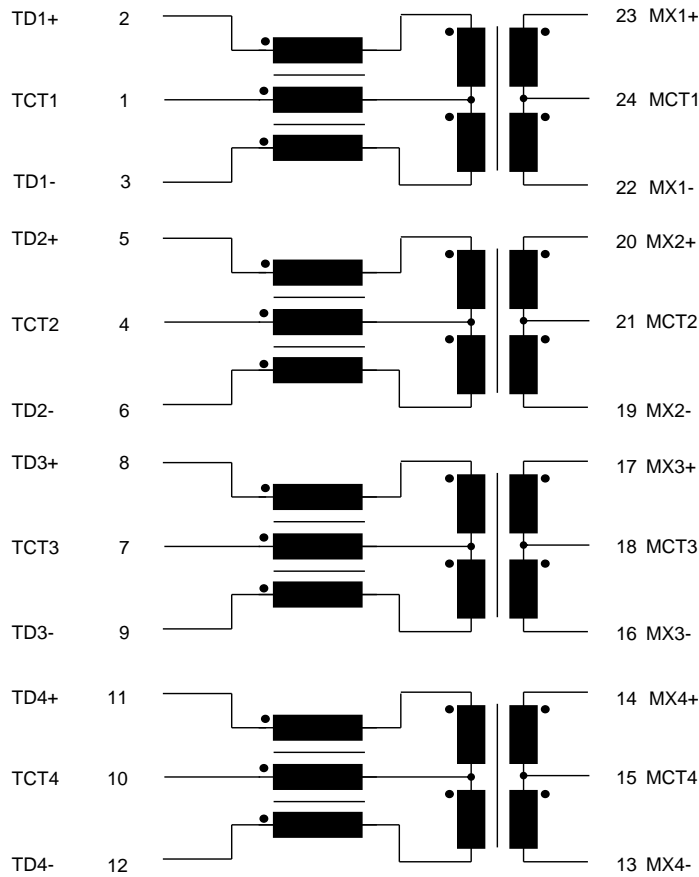
D-74638 Waldenburg · Max-Eyth-Straße 1 - 3 · Germany · Telefon (+49) (0) 7942 - 945 - 0 · Telefax (+49) (0) 7942 - 945 - 400  
<http://www.we-online.com>

# Spezifikation für Freigabe / specification for release

Kunde / customer :  
 Artikelnummer / part number : **749080010**  
 Bezeichnung : **LAN-Übertrager WE-LAN 2.5G/5G**  
 description : **LAN-Transformer WE-LAN 2.5G/5G**



## H Schaltbild / Schematics :



Freigabe erteilt / general release:

	<b>Kunde / customer</b>		
Datum / date	Unterschrift / signature		
	<b>Würth Elektronik</b>		
		JaB	Version 01
Geprüft / checked	Kontrolliert / approved	JaB	Preliminary
		Name	Änderung / modification
			Datum / date

This electronic component has been designed and developed for usage in general electronic equipment. Before incorporating this component into any equipment where higher safety and reliability is especially required or if there is the possibility of direct damage or injury to human body, for example in the range of aerospace, aviation, nuclear control, submarine, transportation, (automotive control, train control, ship control), transportation signal, disaster prevention, medical, public information network etc, Würth Elektronik eiSos GmbH must be informed before the design-in stage. In addition, sufficient reliability evaluation checks for safety must be performed on every electronic component which is used in electrical circuits that require high safety and reliability functions or performance.

### Würth Elektronik eiSos GmbH & Co.KG

D-74638 Waldenburg · Max-Eyth-Straße 1 - 3 · Germany · Telefon (+49) (0) 7942 - 945 - 0 · Telefax (+49) (0) 7942 - 945 - 400  
<http://www.we-online.com>

# Spezifikation für Freigabe / specification for release

Kunde / customer :  
 Artikelnummer / part number : **749080010**  
 Bezeichnung : **LAN-Übertrager WE-LAN 2.5G/5G**  
 description : **LAN-Transformer WE-LAN 2.5G/5G**

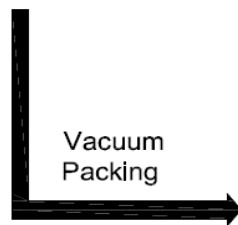
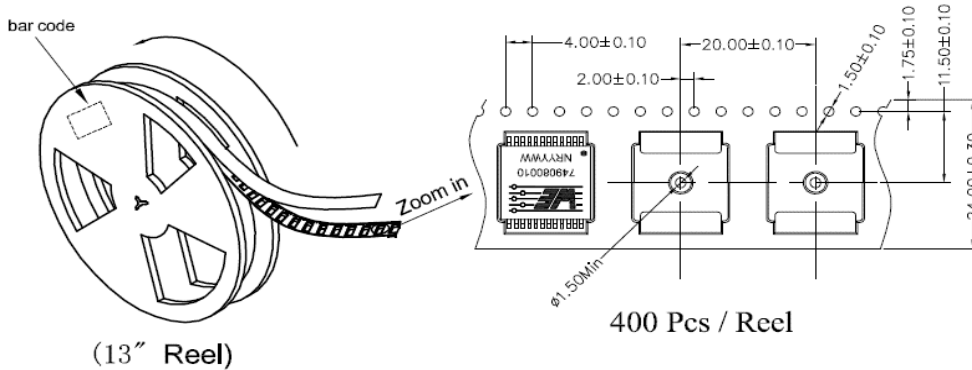


DATUM / DATE : 2017-07-04

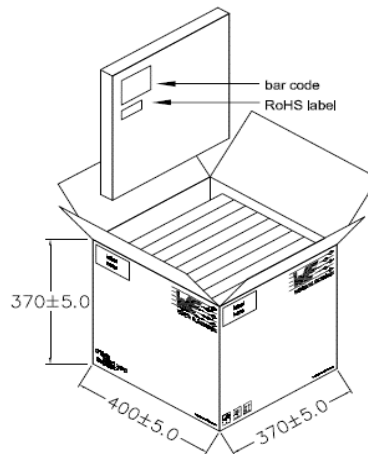
**I Rollenspezifikation / tape and reel specification :**

Gurtspezifikation / Tape specification:

**PACKAGING(Tape & Reel)**



**Outside Carton**



**PACKING QUANTITY:**

400pcs Finished Goods / Reel  
 10 Reels (4000pcs Finished Goods) / Carton

Freigabe erteilt / general release:	<b>Kunde / customer</b>			
Datum / date	Unterschrift / signature			
	<b>Würth Elektronik</b>			
Geprüft / checked	Kontrolliert / approved	JaB	Version 01	2017-04-07
		JaB	Preliminary	2016-10-17
		Name	<b>Änderung / modification</b>	Datum / date

This electronic component has been designed and developed for usage in general electronic equipment. Before incorporating this component into any equipment where higher safety and reliability is especially required or if there is the possibility of direct damage or injury to human body, for example in the range of aerospace, aviation, nuclear control, submarine, transportation, (automotive control, train control, ship control), transportation signal, disaster prevention, medical, public information network etc, Würth Elektronik eiSos GmbH must be informed before the design-in stage. In addition, sufficient reliability evaluation checks for safety must be performed on every electronic component which is used in electrical circuits that require high safety and reliability functions or performance.

**Würth Elektronik eiSos GmbH & Co.KG**

D-74638 Waldenburg · Max-Eyth-Straße 1 - 3 · Germany · Telefon (+49) (0) 7942 - 945 - 0 · Telefax (+49) (0) 7942 - 945 - 400  
<http://www.we-online.com>

# Mouser Electronics

Authorized Distributor

Click to View Pricing, Inventory, Delivery & Lifecycle Information:

[Wurth Elektronik:](#)

[749080010](#)