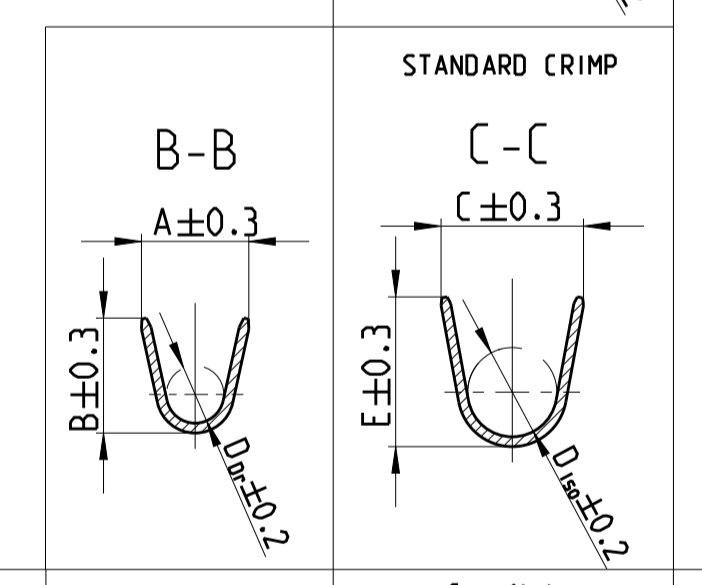
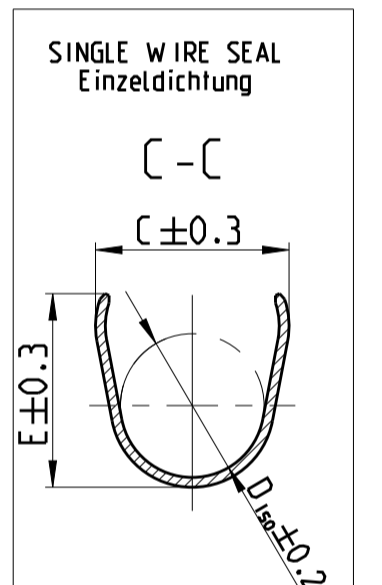
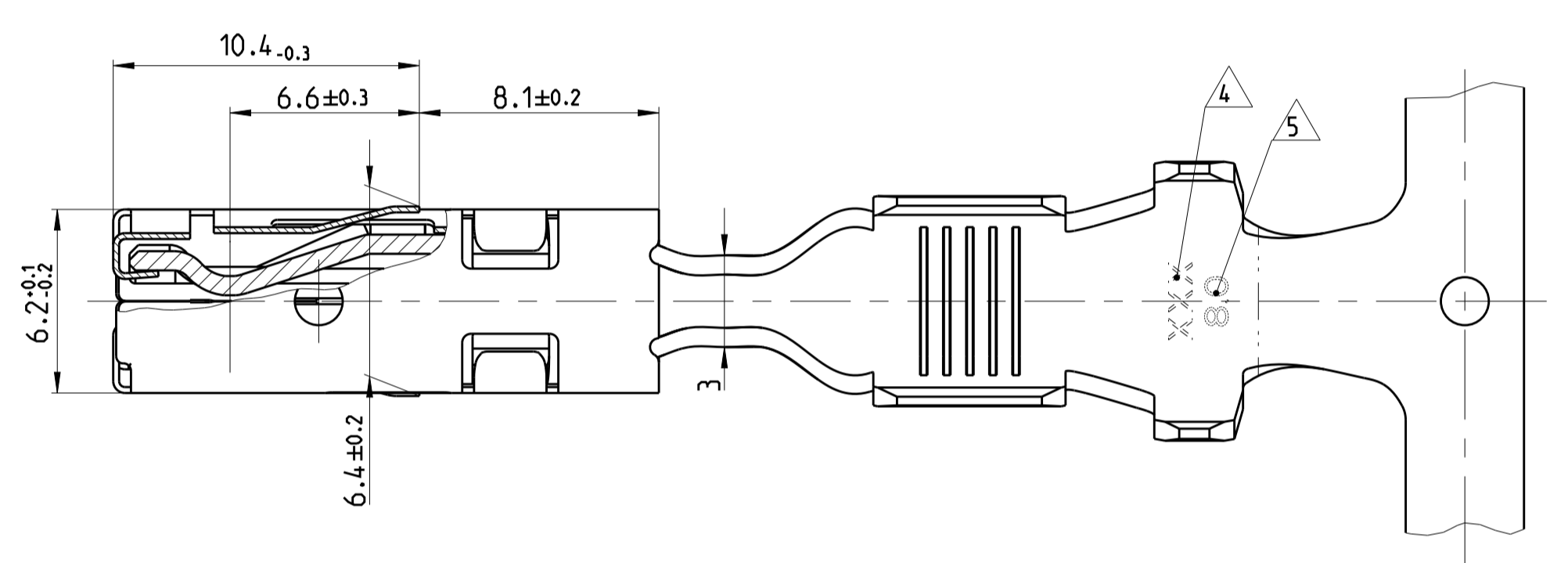
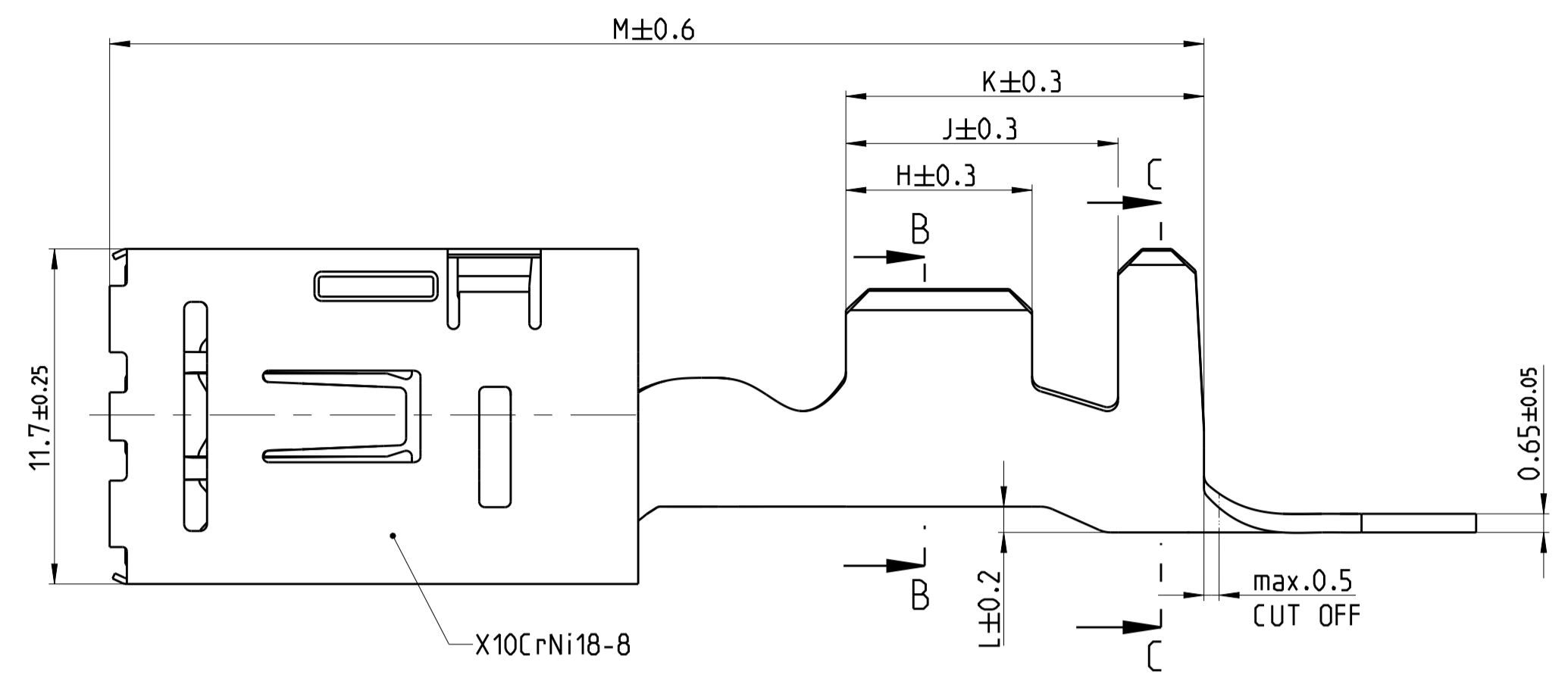
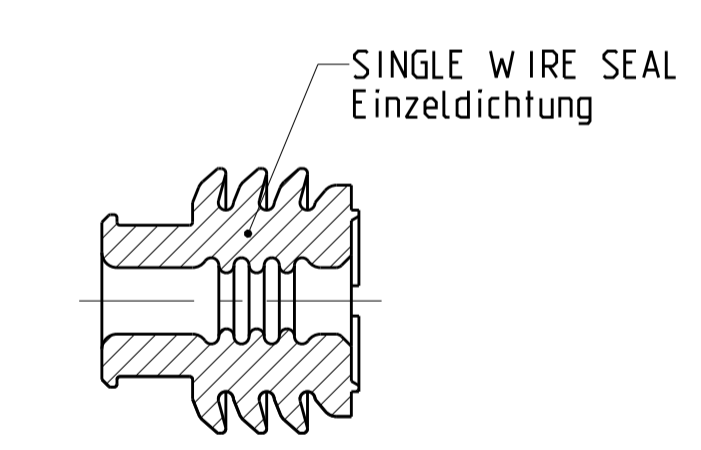
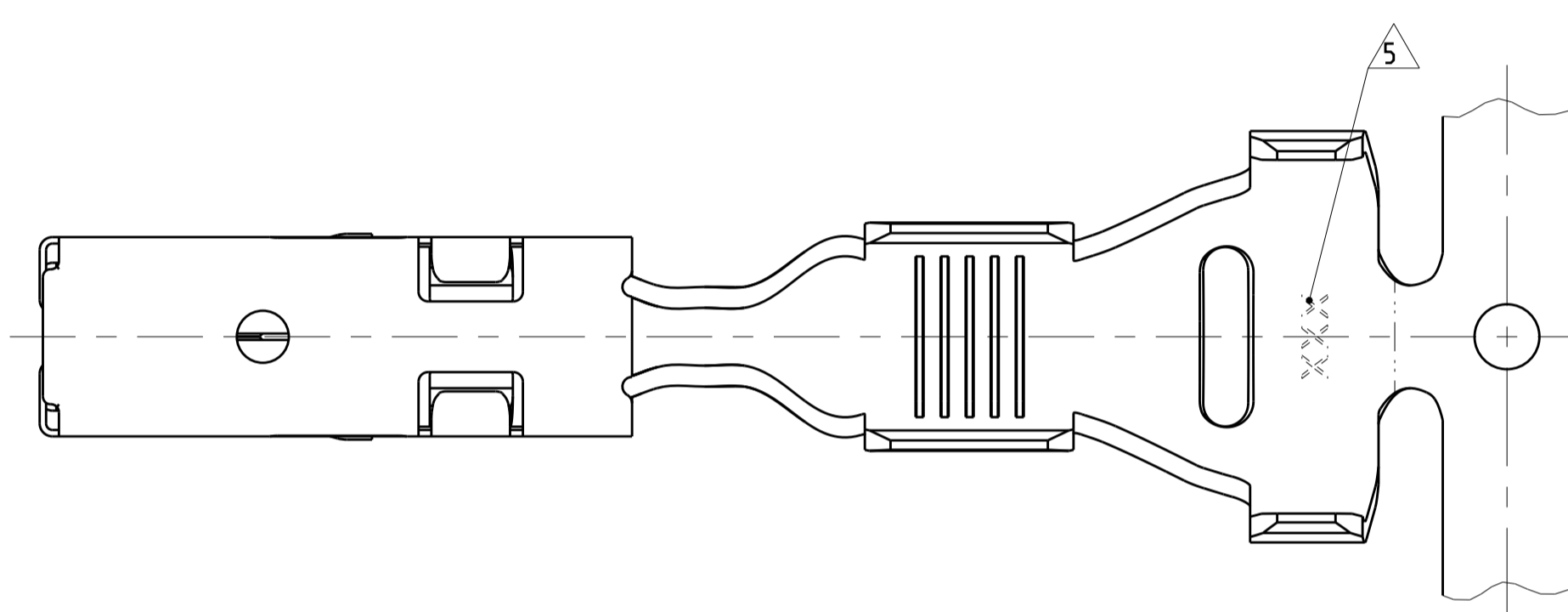
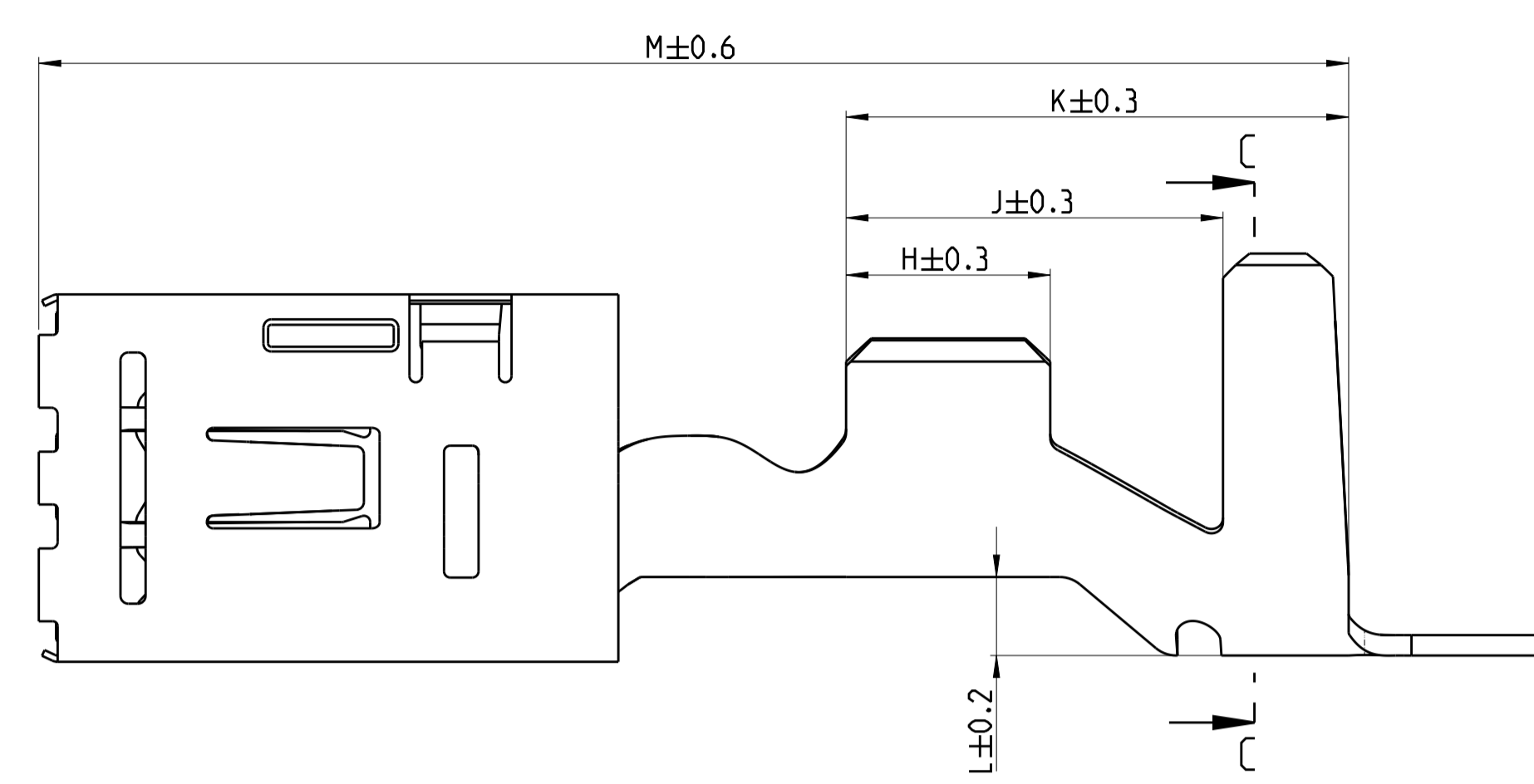


LOC		DIST		REVISIONS			
P	LTR	DESCRIPTION	DATE	DWN	APVD		
B5	DGB 6mm ² fuer 967590 ergaenzl / Zeichnung ueberarbeitet		22MAR2011	Pfeil	Goep		
B6	PNs added. Drawing updated.		18JUL2014	Kirs	Mair		
B7	Loose Piece corrected		18JUL2014	Ho.	Mair		
B8	ECR-15-012070		13AUG2015	JB,JH	BK		

STANDARD CRIMP Standardcrimp



SINGLE WIRE SEAL Einzeldichtungssystem



ORDER NO. Bestell-Nr.	WIRE SIZE RANGE Drahtgroessenbereich (mm ²)	COLOUR Farbe
1355437-3	16	CLARET RED Weinrot
1355437-2	10	SKY BLUE Himmelblau
1355437-1	6	CLARET VIOLET Bordeauxviolett

- 1 MATING PART SEE TE INTERFACE DRAWING: 114-18317
Gegenstecker nach TE Spezifikation: 114-18317
- 2 TO BE USED ON TAB THICKNESS 0.8±0.05
Geeignet fuer Flachsteckerdicke 0.8±0.05
- 3 TO BE USED ON TAB THICKNESS 1.2±0.05
Geeignet fuer Flachsteckerdicke 1.2±0.05
- 4 BRANDNAME AND REVISION STATUS
Herstellerlogo und Revisionsstand
- 5 IDENTIFICATION FOR 0.8mm VERSION
Kennzeichnung fuer 0.8mm Version

ORDER NO. Bestell-Nr.	REV.	TO BE USED ON TAB THICKNESS Geeignet fuer Flachsteckerdicke	WIRE SIZE RANGE Leiterquerschnitt (mm ²)	INSULATION DIA IsolationsØ (mm)	MATERIAL Werkstoff	SURFACE Oberflaeche	LENGTH Laenge	WIRE CRIMP Drahtcrimp	INSUL. CRIMP Isol.-Crimp	VERSION Auslieferung
1-967591-1	B	3	> 10 - 16	7.1 - 7.7	CuNiSi	PRE TIN PLATED vorverzinkt 1 - 3 µm	H = 8.5 J = 13.5 K = 17.0 M = 42.5	A = 8.7 B = 9.1 D ₁₀₀ = 5.1	C = 14.4 E = 13.2 D ₁₀₀ = 10.5 L = 2.7	SINGLE WIRE SEAL Einzeldichtung
1-967590-2	B	3	6 - 10	4.6 - 6.4	CuNiSi	SILVER PLATED versilbert 3-5µm (only contact area)	H = 6.5 J = 12.0 K = 16.0 M = 41.7	A = 7.1 B = 7.6 D ₁₀₀ = 3.8	C = 12.8 E = 12.8 D ₁₀₀ = 9.5 L = 2.5	STANDARD CRIMP Standardcrimp
1-967590-1	B	3				PRE TIN PLATED vorverzinkt 1 - 3 µm	H = 9.5 J = 12.5 K = 16.0 M = 41.7	A = 9.1 B = 9.5 D ₁₀₀ = 5.3	C = 12.1 E = 11.7 D ₁₀₀ = 7.6 L = 0.9	
1-2177217-1	A	2	> 10 - 16	7.1 - 7.7	CuNiSi	PRE TIN PLATED vorverzinkt 1 - 3 µm	H = 9.5 J = 12.5 K = 16.0 M = 41.7	A = 9.1 B = 9.5 D ₁₀₀ = 5.3	C = 12.1 E = 11.7 D ₁₀₀ = 7.6 L = 0.9	STANDARD CRIMP Standardcrimp
1-967589-2	B	3				SILVER PLATED versilbert 3-5µm (only contact area)	H = 9.5 J = 12.5 K = 16.0 M = 41.7	A = 8.7 B = 9.1 D ₁₀₀ = 5.1	C = 11.6 E = 11.9 D ₁₀₀ = 7.1 L = 1.0	
1-967589-1	B	3				PRE TIN PLATED vorverzinkt 1 - 3 µm	H = 6.5 J = 9.5 K = 12.5 M = 38.2	A = 7.1 B = 7.6 D ₁₀₀ = 3.8	C = 9.3 E = 9.9 D ₁₀₀ = 5.9 L = 0.9	
1-967588-2	B	3				SILVER PLATED versilbert 3-5µm (only contact area)	H = 6.5 J = 9.5 K = 12.5 M = 38.2	A = 7.1 B = 7.6 D ₁₀₀ = 3.8	C = 9.3 E = 9.9 D ₁₀₀ = 5.9 L = 0.9	
1-967588-1	B	3	6 - 10	4.6 - 6.4	CuNiSi	PRE TIN PLATED vorverzinkt 1 - 3 µm	H = 6.5 J = 9.5 K = 12.5 M = 38.2	A = 7.1 B = 7.6 D ₁₀₀ = 3.8	C = 9.3 E = 9.9 D ₁₀₀ = 5.9 L = 0.9	STANDARD CRIMP Standardcrimp
1-1241930-1	A	2				PRE TIN PLATED vorverzinkt 1 - 3 µm	H = 6.5 J = 9.5 K = 12.5 M = 38.2	A = 7.1 B = 7.6 D ₁₀₀ = 3.8	C = 9.3 E = 9.9 D ₁₀₀ = 5.9 L = 0.9	
1-1719386-1	B	2	3 - 6	4.0 - 5.1	CuNiSi	PRE TIN PLATED vorverzinkt 1 - 3 µm	H = 5.5 J = 7.8 K = 10.1 M = 38.2	A = 5.8 B = 6.1 D ₁₀₀ = 2.9	C = 7.8 E = 8.0 D ₁₀₀ = 4.6 L = 0.6	STANDARD CRIMP Standardcrimp

THIS DRAWING IS A CONTROLLED DOCUMENT. DWN: H.Keil, CHK: G.v.d.Burg, APVD: J.W.oller

DIMENSIONS: mm

TOLERANCES UNLESS OTHERWISE SPECIFIED: DIN EN ISO 8015

PLC 0: ±0.2, 1: ±0.2, 2: ±0.2, 3: ±0.2, 4: ±0.2, 5: ±0.2, 6: ±0.2, 7: ±0.2, 8: ±0.2, 9: ±0.2, 10: ±0.2, 11: ±0.2, 12: ±0.2, 13: ±0.2, 14: ±0.2, 15: ±0.2, 16: ±0.2, 17: ±0.2, 18: ±0.2, 19: ±0.2, 20: ±0.2, 21: ±0.2, 22: ±0.2, 23: ±0.2, 24: ±0.2, 25: ±0.2, 26: ±0.2, 27: ±0.2, 28: ±0.2, 29: ±0.2, 30: ±0.2, 31: ±0.2, 32: ±0.2, 33: ±0.2, 34: ±0.2, 35: ±0.2, 36: ±0.2, 37: ±0.2, 38: ±0.2, 39: ±0.2, 40: ±0.2, 41: ±0.2, 42: ±0.2, 43: ±0.2, 44: ±0.2, 45: ±0.2, 46: ±0.2, 47: ±0.2, 48: ±0.2, 49: ±0.2, 50: ±0.2, 51: ±0.2, 52: ±0.2, 53: ±0.2, 54: ±0.2, 55: ±0.2, 56: ±0.2, 57: ±0.2, 58: ±0.2, 59: ±0.2, 60: ±0.2, 61: ±0.2, 62: ±0.2, 63: ±0.2, 64: ±0.2, 65: ±0.2, 66: ±0.2, 67: ±0.2, 68: ±0.2, 69: ±0.2, 70: ±0.2, 71: ±0.2, 72: ±0.2, 73: ±0.2, 74: ±0.2, 75: ±0.2, 76: ±0.2, 77: ±0.2, 78: ±0.2, 79: ±0.2, 80: ±0.2, 81: ±0.2, 82: ±0.2, 83: ±0.2, 84: ±0.2, 85: ±0.2, 86: ±0.2, 87: ±0.2, 88: ±0.2, 89: ±0.2, 90: ±0.2, 91: ±0.2, 92: ±0.2, 93: ±0.2, 94: ±0.2, 95: ±0.2, 96: ±0.2, 97: ±0.2, 98: ±0.2, 99: ±0.2, 100: ±0.2

NAME: PRODUCT GROUP DRAWING FOR AMP MCP 9.5
 APPLICATION SPEC: 108-18630
 SIZE: 114-18269
 WEIGHT: -
 Customer Drawing

SCALE: 2:1 SHEET 1 OF 1 REV: B8

Mouser Electronics

Authorized Distributor

Click to View Pricing, Inventory, Delivery & Lifecycle Information:

[TE Connectivity:](#)

[1-967589-2](#)