

4

3

2

1

THIS DRAWING IS UNPUBLISHED.

RELEASED FOR PUBLICATION

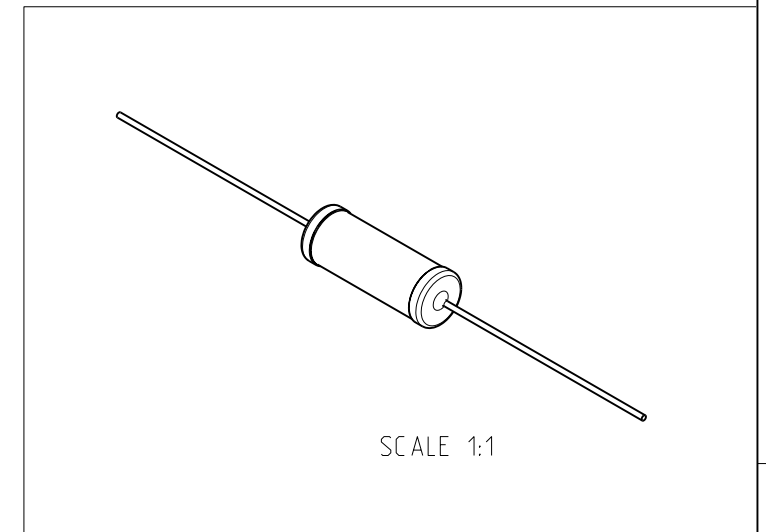
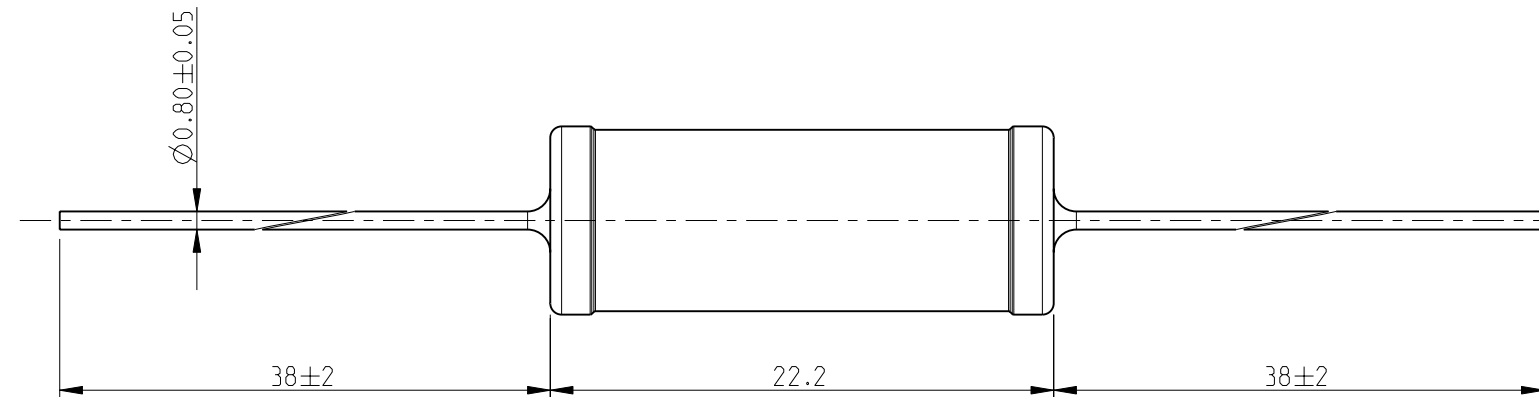
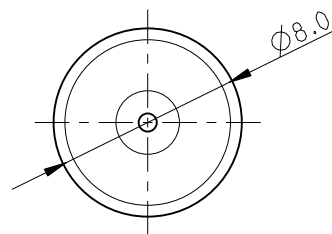
2010

© COPYRIGHT 2010 BY -


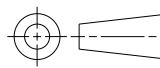
ALL RIGHTS RESERVED.

LOC	DIST	REVISIONS			
P	LTR	DESCRIPTION	DATE	DWN	APVD
E	B	BA1	REVISED PER ECO-11-005150	29MAR2011	RK HMR

FOR FURTHER INFORMATION SEE DATA SHEET FOR SERIES ER/ERV- HIGH POWER RESISTORS



RoHS Compliant

THIS DRAWING IS A CONTROLLED DOCUMENT.		DWN	MAHARUDRA	11-FEB-10	 TE Connectivity NAME HIGH POWER RESISTORS SERIES ER58					
DIMENSIONS: mm		CHK	ALLAN.P	11-FEB-10						
		APVD	STEPHEN.P	11-FEB-10						
TOLERANCES UNLESS OTHERWISE SPECIFIED: 0 PLC $\pm 0.2$ 1 PLC $\pm 0.1$ 2 PLC $\pm -$ 3 PLC $\pm -$ 4 PLC $\pm -$ ANGLES $\pm 5^\circ$		PRODUCT SPEC	-	-						
MATERIAL	-	APPLICATION SPEC	-	-	SIZE	CAGE CODE	DRAWING NO	RESTRICTED TO		
	FINISH	WEIGHT	-	-	A3	00779	1623750	-		
CUSTOMER DRAWING					SCALE	3:1	SHEET	1 OF 1	REV	BA1

# Mouser Electronics

Authorized Distributor

Click to View Pricing, Inventory, Delivery & Lifecycle Information:

[TE Connectivity:](#)

[ER581K0JT](#)