

SACC-E-M12FS-4CON-NPT12/1,0 - Panel feed-through



1421082

<https://www.phoenixcontact.com/us/products/1421082>

Please be informed that the data shown in this PDF document is generated from our online catalog. Please find the complete data in the user documentation. Our general terms of use for downloads are valid.



Panel feed-through, 4-position/PVC, Socket, straight, M12, coding: A, on free cable end, Front mounting, with 1/2 inch-14 NPT mounting thread, Individual wires, cable length: 1 m, 0.34 mm², PVC litz wire

Commercial data

Item number	1421082
Packing unit	1 pc
Note	Made to order (non-returnable)
Sales key	BF13
Product key	BF2IBA
GTIN	4055626337715
Weight per piece (including packing)	22.22 g
Weight per piece (excluding packing)	22.22 g
Customs tariff number	85444290
Country of origin	MX

SACC-E-M12FS-4CON-NPT12/1,0 - Panel feed-through



1421082

<https://www.phoenixcontact.com/us/products/1421082>

Technical data

Notes

General	The electrical and mechanical data specified assume that the connector pair is correctly locked and mounted. If the connector is unlocked and if there is a danger of contamination, the connector must be sealed using a protective cap > IP54. Influences arising from litz wires, cables or PCB assembly must also be taken into consideration.
Trade restriction	
CE note	The products are offered exclusively for export outside the EU and the European Economic Area.

Mounting

Mounting type	Front mount, with 1/2-inch NPT
---------------	--------------------------------

Product properties

Product type	Circular connectors (device side)
Number of positions	4
No. of cable outlets	1
Shielded	no
Coding	A

Insulation characteristics

Overvoltage category	II
Degree of pollution	3

Material specifications

Flammability rating according to UL 94	V0
Housing surface material	die-cast aluminum
Contact material	Cu alloy
Contact surface material	Au
Contact carrier material	PA 6.6
Material for screw connection	Aluminum alloy

Electrical properties

Insulation resistance	$\geq 100 \text{ M}\Omega$
Nominal voltage U_N	300 V
Nominal current I_N	4 A

Connection data

Conductor connection

Connection method	Individual wires
Contact connection type	Socket
Conductor cross section	0.34 mm ²

SACC-E-M12FS-4CON-NPT12/1,0 - Panel feed-through



1421082

<https://www.phoenixcontact.com/us/products/1421082>

Tightening torque	1.12 Nm (Installation-side)
-------------------	-----------------------------

Mechanical properties

Mechanical data

Insertion/withdrawal cycles	> 500
-----------------------------	-------

Connector

Connection 1

Head design	Socket
Head cable outlet	straight
Head thread type	M12
Coding	A

Connection 2

Head design	free cable end
-------------	----------------

Cable/line

Cable length	1 m
Cable type	PVC litz wire
Cable structure	4 x 22 AWG
Wire diameter incl. insulation	1.78 mm
Single wire, color	brown, white, blue, black
Cable cross section	0.34 mm ²
Material, inner sheath	PVC
Conductor structure signal line	7x (30 AWG strand)
AWG signal line	22
Material wire insulation	PVC
Thickness, insulation	0.76 mm

Environmental and real-life conditions

Ambient conditions

Degree of protection	IP68
Ambient temperature (operation)	-20 °C ... 105 °C

Standards and regulations

Standard designation	M12 connector
Standards/specifications	IEC 61076-2-101
Standards/specifications	UL 2238
Note	Suitable for use in Class I, Division 2 Groups A, B, C, D hazardous locations according to ISA standard 12.12.01-2015, section 8.2 and 8.8.3

SACC-E-M12FS-4CON-NPT12/1,0 - Panel feed-through

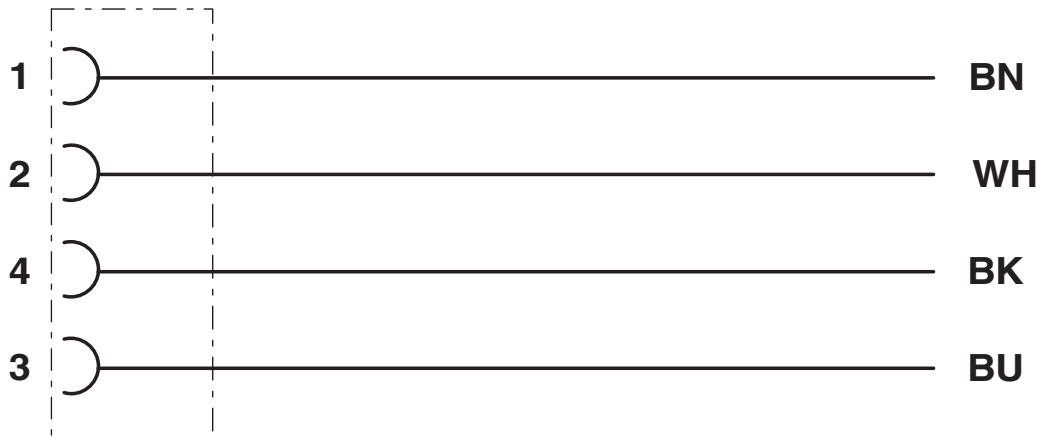


1421082

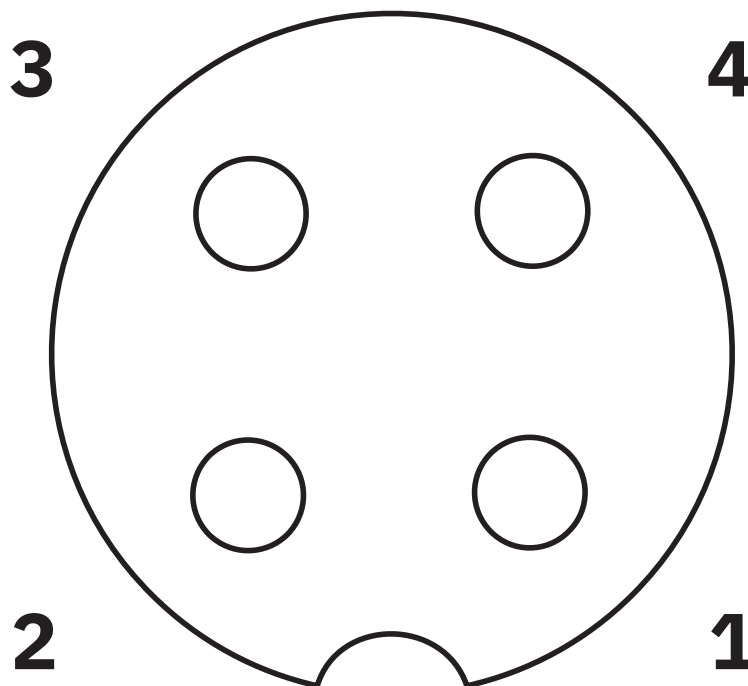
<https://www.phoenixcontact.com/us/products/1421082>

Drawings

Circuit diagram



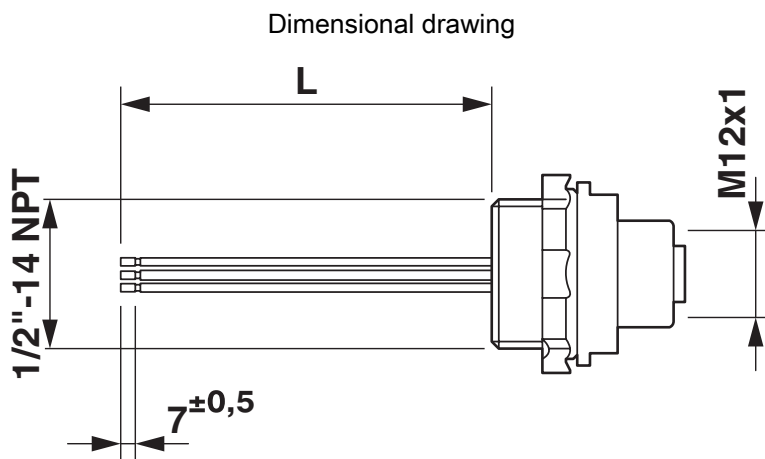
Schematic diagram



SACC-E-M12FS-4CON-NPT12/1,0 - Panel feed-through

1421082

<https://www.phoenixcontact.com/us/products/1421082>



M12 flush-type socket

SACC-E-M12FS-4CON-NPT12/1,0 - Panel feed-through



1421082

<https://www.phoenixcontact.com/us/products/1421082>

Approvals

To download certificates, visit the product detail page: <https://www.phoenixcontact.com/us/products/1421082>



UL Listed

Approval ID: FILE E 221474



cUL Listed

Approval ID: FILE E 221474

cULus Listed

SACC-E-M12FS-4CON-NPT12/1,0 - Panel feed-through



1421082

<https://www.phoenixcontact.com/us/products/1421082>

Classifications

ECLASS

ECLASS-11.0	27440109
ECLASS-12.0	27440109
ECLASS-13.0	27440109

ETIM

ETIM 8.0	EC003569
----------	----------

SACC-E-M12FS-4CON-NPT12/1,0 - Panel feed-through



1421082

<https://www.phoenixcontact.com/us/products/1421082>

Environmental product compliance

EU RoHS

Fulfills EU RoHS substance requirements	Yes, No exemptions
---	--------------------

China RoHS

Environment friendly use period (EFUP)	EFUP-50
	An article-related China RoHS declaration table can be found in the download area for the respective article under "Manufacturer declaration". For all articles with EFUP-E, no China RoHS declaration table issued and required.

EU REACH SVHC

REACH candidate substance (CAS No.)	No substance above 0.1 wt%
-------------------------------------	----------------------------

SACC-E-M12FS-4CON-NPT12/1,0 - Panel feed-through



1421082

<https://www.phoenixcontact.com/us/products/1421082>

Accessories

SACC-1/2 NPT-LOCKNUT - Lock nut

1020362

<https://www.phoenixcontact.com/us/products/1020362>

Locknut, 1/2 inch-14 NPT thread



SACC-MIN-SEAL - Seal

1020363

<https://www.phoenixcontact.com/us/products/1020363>

Seal for MINI 7/8-inch panel feed through with 1/2 inch-14 NPT thread



Phoenix Contact 2024 © - all rights reserved

<https://www.phoenixcontact.com>

Phoenix Contact USA
586 Fulling Mill Road
Middletown, PA 17057, United States
(+717) 944-1300
info@phoenixcon.com