

# SAC-5P- 2,0-547/MINFS - Power cable



1416631

<https://www.phoenixcontact.com/us/products/1416631>

Please be informed that the data shown in this PDF document is generated from our online catalog. Please find the complete data in the user documentation. Our general terms of use for downloads are valid.



Power cable, 5-position, PVC, yellow, free cable end, on Socket straight 7/8"-16UNF, coding: A, cable length: 2 m

## Your advantages

- Easy and safe: 100 % electrically tested plug-in components

## Commercial data

Item number	1416631
Packing unit	1 pc
Note	Made to order (non-returnable)
Sales key	BF14
Product key	BF1IMA
GTIN	4055626221748
Weight per piece (including packing)	192.6 g
Weight per piece (excluding packing)	192.6 g
Customs tariff number	85444290
Country of origin	MX

# SAC-5P- 2,0-547/MINFS - Power cable



1416631

<https://www.phoenixcontact.com/us/products/1416631>

## Technical data

### Notes

#### Trade restriction

CE note	The products are offered exclusively for export outside the EU and the European Economic Area.
---------	--

### Product properties

Product type	Sensor/actuator cable
Application	Standard
Number of positions	5
No. of cable outlets	1
Shielded	no
Coding	A

### Material specifications

Flammability rating according to UL 94	V0
Material of grip body	PVC
Contact material	CuZn
Contact surface material	Au
Contact carrier material	PVC
Material for screw connection	Anodized aluminum

### Electrical properties

Insulation resistance	$\geq 100 \text{ M}\Omega$
Nominal voltage $U_N$	300 V AC
	300 V DC
Nominal current $I_N$	8 A

### Mechanical properties

#### Mechanical data

Insertion/withdrawal cycles	100
-----------------------------	-----

### Signaling

Status display	No
Status display present	No

### Connection data

#### Conductor connection

Tightening torque	10 lb <sub>f</sub> -in.
	1.12 Nm

### Connector

# SAC-5P- 2,0-547/MINFS - Power cable



1416631

<https://www.phoenixcontact.com/us/products/1416631>

## Connection 1

Type	free cable end
------	----------------

## Connection 2

Type	Socket straight 7/8"-16UNF
Number of positions	5
Coding type	A

## Cable/line

Cable length	2 m
--------------	-----

## CMX-OUTDOOR-CMG [547]

Number of positions	5
Shielded	no
Cable type	CMX-OUTDOOR-CMG [547]
Conductor cross section	5 x AWG 18
External cable diameter	5.70 mm
Outer sheath, material	PVC
External sheath, color	yellow
Conductor material	Bare Cu litz wires
Single wire, color	black 1, blue 2, grey 3, brown 4, white 5
Nominal voltage, cable	300 V
Flame resistance	UL 1581, FT4
Other resistance	UV resistant (720 h) (UL 2556)
Ambient temperature (operation)	-40 °C ... 105 °C (cable, fixed installation) -30 °C ... 105 °C (Cable, flexible installation)

## Environmental and real-life conditions

### Ambient conditions

Degree of protection	IP68
Ambient temperature (operation)	-20 °C ... 105 °C (Plug / socket) -20 °C ... 105 °C (Plug / socket) -40 °C ... 105 °C (cable, fixed installation) -30 °C ... 105 °C (Cable, flexible installation)

# SAC-5P- 2,0-547/MINFS - Power cable

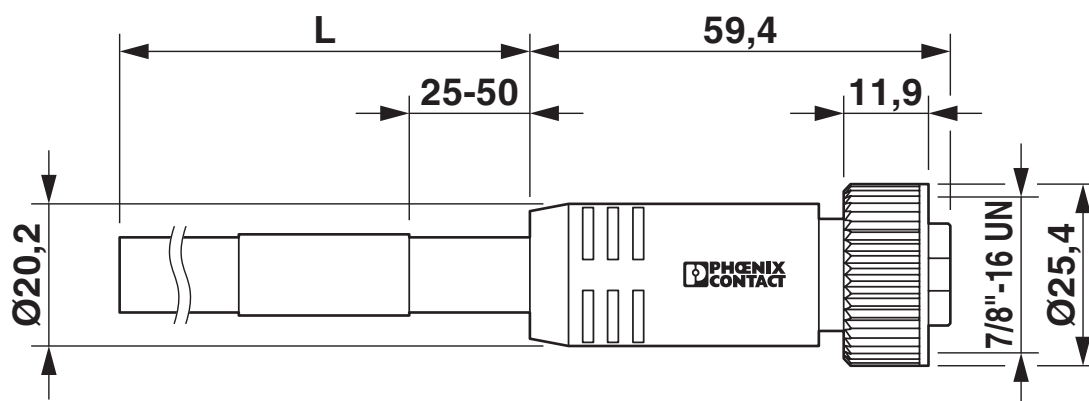


1416631

<https://www.phoenixcontact.com/us/products/1416631>

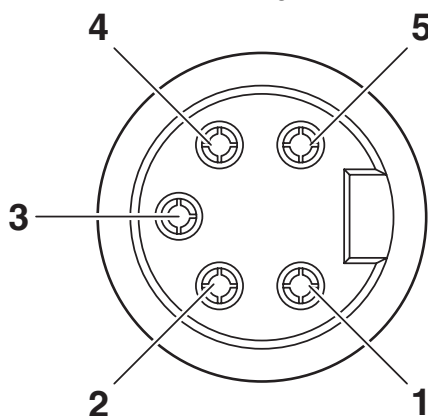
## Drawings

Dimensional drawing



7/8"-16UNF socket, straight

Schematic diagram



Pin assignment, socket, 7/8"-16UNF, 5-pos., view of female side

Circuit diagram



# SAC-5P- 2,0-547/MINFS - Power cable



1416631

<https://www.phoenixcontact.com/us/products/1416631>

## Approvals

To download certificates, visit the product detail page: <https://www.phoenixcontact.com/us/products/1416631>



**UL Listed**

Approval ID: FILE E 221474



**cUL Listed**

Approval ID: FILE E 221474



**cUL Listed**

Approval ID: FILE E 221474



**UL Listed**

Approval ID: FILE E 221474

# SAC-5P- 2,0-547/MINFS - Power cable



1416631

<https://www.phoenixcontact.com/us/products/1416631>

## Classifications

### ECLASS

ECLASS-11.0	27060311
ECLASS-12.0	27060311
ECLASS-13.0	27060311

### UNSPSC

UNSPSC 21.0	31251501
-------------	----------

# SAC-5P- 2,0-547/MINFS - Power cable



1416631

<https://www.phoenixcontact.com/us/products/1416631>

## Environmental product compliance

### EU RoHS

Fulfills EU RoHS substance requirements	Not applicable, Not qualified for the European market
---	---

### EU REACH SVHC

REACH candidate substance (CAS No.)	No substance above 0.1 wt%
-------------------------------------	----------------------------

# SAC-5P- 2,0-547/MINFS - Power cable



1416631

<https://www.phoenixcontact.com/us/products/1416631>

## Accessories

### PROT-MINFS-PA-CHAIN - Sealing cap

1430912

<https://www.phoenixcontact.com/us/products/1430912>

7/8" sealing cap made of plastic with fixing band, for sensor cables, for 7/8" connectors



---

### UCT-WMT (23X4) - Conductor marker

0801453

<https://www.phoenixcontact.com/us/products/0801453>

Conductor marker, Sheet, white, unlabeled, can be labeled with: TOPMARK NEO, TOPMARK LASER, BLUEMARK ID COLOR, BLUEMARK ID, BLUEMARK CLED, THERMOMARK PRIME, THERMOMARK CARD 2.0, THERMOMARK CARD, mounting type: insert, cable diameter range: 1.5 ... 35 mm, lettering field size: 23 x 4 mm, Number of individual labels: 30





# SAC-5P- 2,0-547/MINFS - Power cable



1416631

<https://www.phoenixcontact.com/us/products/1416631>

## UC-WMT (23X4) - Conductor marker

0819411

<https://www.phoenixcontact.com/us/products/0819411>



Conductor marker, Sheet, white, unlabeled, can be labeled with: BLUEMARK ID COLOR, BLUEMARK ID, BLUEMARK CLED, PLOTMARK, CMS-P1-PLOTTER, mounting type: insert, cable diameter range: 1.5 ... 35 mm, lettering field size: 23 x 4 mm, Number of individual labels: 24

---

## US-WMT (23X4) - Cable marker

0828769

<https://www.phoenixcontact.com/us/products/0828769>



Cable marker, Card, white, unlabeled, can be labeled with: BLUEMARK ID COLOR, BLUEMARK ID, THERMOMARK PRIME, THERMOMARK CARD 2.0, THERMOMARK CARD, mounting type: slide-on, cable diameter range: 1.5 ... 35 mm, lettering field size: 23 x 4 mm, Number of individual labels: 56

## SAC-5P- 2,0-547/MINFS - Power cable

1416631

<https://www.phoenixcontact.com/us/products/1416631>



## WMTW (23X4)R - Cable marker

0831004

<https://www.phoenixcontact.com/us/products/0831004>



Cable marker, Roll, white, unlabeled, can be labeled with: THERMOMARK E.300 (D)/600 (D), THERMOMARK ROLL 2.0, THERMOMARK ROLL, THERMOMARK ROLL X1, THERMOMARK ROLLMASTER 300/600, THERMOMARK X1.2, mounting type: insert, cable diameter range: 1.5 ... 35 mm, lettering field size: 23 x 4 mm, Number of individual labels: 3000

---

## PROT-MINMS-PA-CHAIN - Screw plug

1430925

<https://www.phoenixcontact.com/us/products/1430925>

7/8" sealing cap made of plastic with fixing band, for sensor cables, for 7/8" sockets



## SAC-5P- 2,0-547/MINFS - Power cable

1416631

<https://www.phoenixcontact.com/us/products/1416631>



## B-STIFT - Marker pen

1051993

<https://www.phoenixcontact.com/us/products/1051993>



Marker pen, for manual labeling of unprinted Zack strips, smear-proof and waterproof, line thickness 0.5 mm

---

## TSD 08 SAC - Torque screwdriver

1212597

<https://www.phoenixcontact.com/us/products/1212597>



Torque screw driver with preset torque of 0.8 Nm, with 4 mm hexagon for accommodating SAC bits, two-component handle with non-slip grip

# SAC-5P- 2,0-547/MINFS - Power cable

1416631

<https://www.phoenixcontact.com/us/products/1416631>



## TSD-M 1,2NM - Torque screwdriver

1212224

<https://www.phoenixcontact.com/us/products/1212224>



Torque screw driver, accuracy as per EN ISO 6789 standard, adjustable from 0.3 - 1.2 Nm

---

## TSD-M SAC-BIT ADAPTER - Adapter insert

1212600

<https://www.phoenixcontact.com/us/products/1212600>



Adapter bit for TSD-M...torque tools, E6.3-1/4" drive with 4 mm hexagon to accommodate SAC bits

# SAC-5P- 2,0-547/MINFS - Power cable

1416631

<https://www.phoenixcontact.com/us/products/1416631>



## SAC BIT MIN-D25 - Tool

1212512

<https://www.phoenixcontact.com/us/products/1212512>

Nut for assembling 7/8" connectors with a knurl diameter of 25 mm, with 4 mm hexagonal drive



---

Phoenix Contact 2024 © - all rights reserved

<https://www.phoenixcontact.com>

Phoenix Contact USA  
586 Fulling Mill Road  
Middletown, PA 17057, United States  
(+717) 944-1300  
[info@phoenixcon.com](mailto:info@phoenixcon.com)