

# HC-M-DSUB 09-UT-F - Contact insert module



1417307

<https://www.phoenixcontact.com/us/products/1417307>

Please be informed that the data shown in this PDF document is generated from our online catalog. Please find the complete data in the user documentation. Our general terms of use for downloads are valid.



Contact insert module, number of positions: 9, type : D-SUB 9, Socket, Screw connection, 48 V, 1 A, 0.08 mm<sup>2</sup> ... 0.5 mm<sup>2</sup>, application: Data

## Commercial data

Item number	1417307
Packing unit	1 pc
Minimum order quantity	1 pc
Sales key	BF62
Product key	BF7ACE
Catalog page	Page 587 (C-2-2019)
GTIN	4055626112497
Weight per piece (including packing)	40 g
Weight per piece (excluding packing)	35 g
Customs tariff number	85389099
Country of origin	CN

# HC-M-DSUB 09-UT-F - Contact insert module



1417307

<https://www.phoenixcontact.com/us/products/1417307>

## Technical data

### Notes

General	For HEAVYCON housing type B6 to B48, HC-M-B...MF... module carrier frame required
General	Connectors may be operated only when there is no load/voltage.
General	The use of guide pins (HC-CST) and sockets (HC-CBU) is recommended to prevent tip collision due to misalignment.

### Mounting

Assembly instructions	To ensure correct use, installation in housing with IP54 protection or better is required
-----------------------	---

### Product properties

Product type	Modular contact insert
Series	HC-M-DSUB-U
Application	Data
Number of positions	9
Connection profile	9
Contact numbering	1 - 9
Number of module slots	1
Type	D-SUB 9
Contact material type	turned

### Insulation characteristics

Overvoltage category	III
Degree of pollution	3

### Connection data

#### Connection technology

Connection technology	Screw connection
Clamping range of the strain relief clip	4.00 mm ... 7.00 mm

#### Conductor connection

Conductor cross section	0.08 mm <sup>2</sup> ... 0.5 mm <sup>2</sup>
Connection cross section AWG	28 ... 20
Tightening torque	0.03 Nm ... 0.05 Nm
Stripping length of the individual wire	4.2 mm

### Dimensions

Dimensional drawing	
---------------------	--

# HC-M-DSUB 09-UT-F - Contact insert module



1417307

<https://www.phoenixcontact.com/us/products/1417307>

Width	34.2 mm
Height	35.7 mm
Length	14.6 mm
Clamping range of the strain relief clip	4.00 mm ... 7.00 mm

## Mechanical characteristics

Minimum housing height	72 mm
Contact diameter	1 mm

## Electrical properties

Rated voltage (III/3)	48 V (D-SUB)
Rated surge voltage	0.8 kV
Rated current	1 A

## Mechanical properties

### Mechanical data

Insertion/withdrawal cycles	≥ 500
-----------------------------	-------

## Material specifications

Material Line conductor	Zinc alloy
Flammability rating according to UL 94	V0
Contact material	Copper alloy
Contact surface material	Ag
Contact carrier material	PC
Standards/regulations	PC: Fire protection in rail vehicles - requirement set R22 acc. to DIN EN 45545-2 (Risk level HL1 - HL2) PC: Fire protection in rail vehicles - requirement set R23 acc. to DIN EN 45545-2 (Risk level HL1 - HL3)

## Environmental and real-life conditions

### Ambient conditions

Ambient temperature (operation)	-40 °C ... 125 °C
---------------------------------	-------------------

## Standards and regulations

### Testing

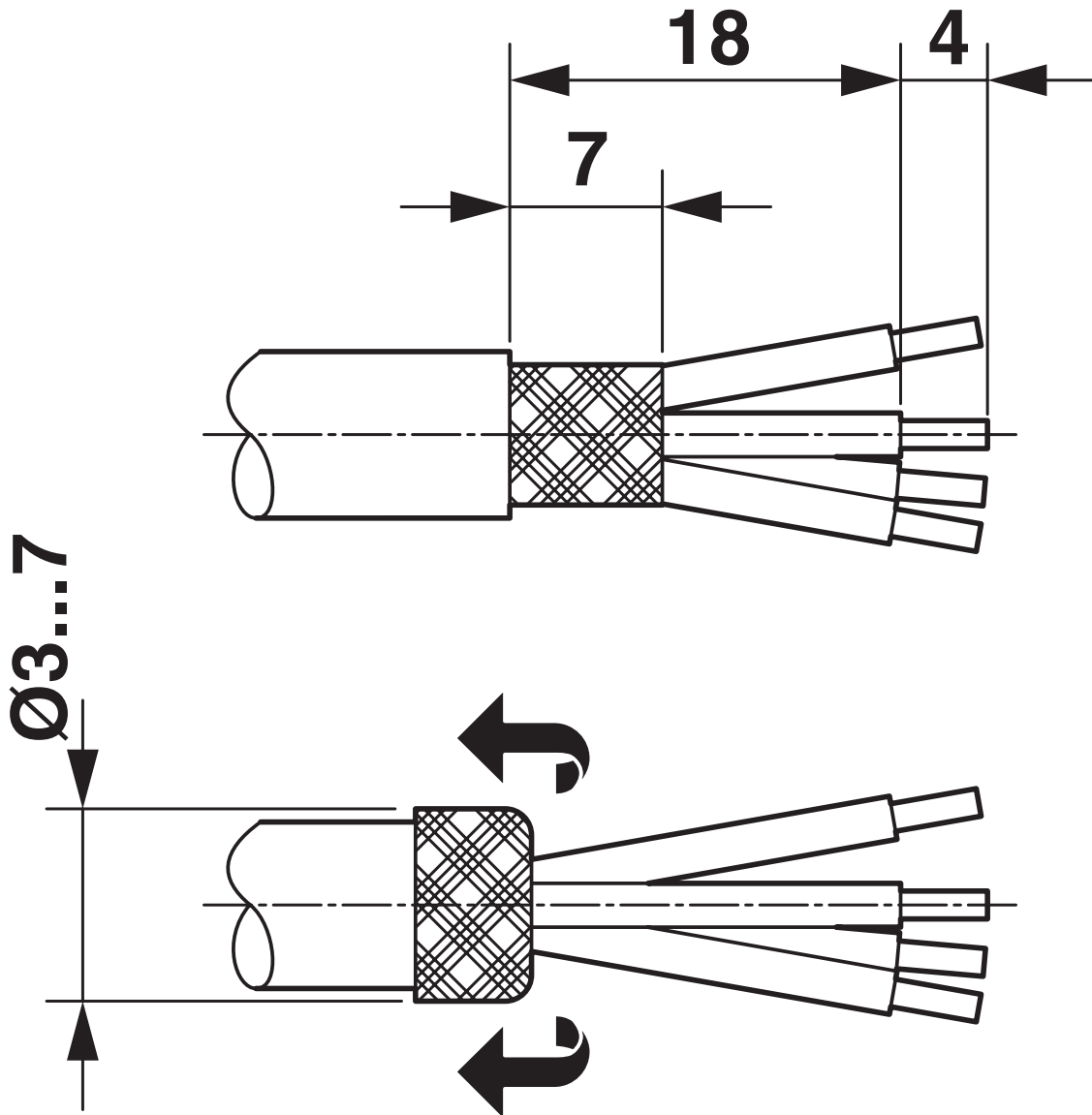
Standards/regulations	PC: Fire protection in rail vehicles - requirement set R22 acc. to DIN EN 45545-2 (Risk level HL1 - HL2) PC: Fire protection in rail vehicles - requirement set R23 acc. to DIN EN 45545-2 (Risk level HL1 - HL3)
-----------------------	--

1417307

<https://www.phoenixcontact.com/us/products/1417307>

## Drawings

Dimensional drawing

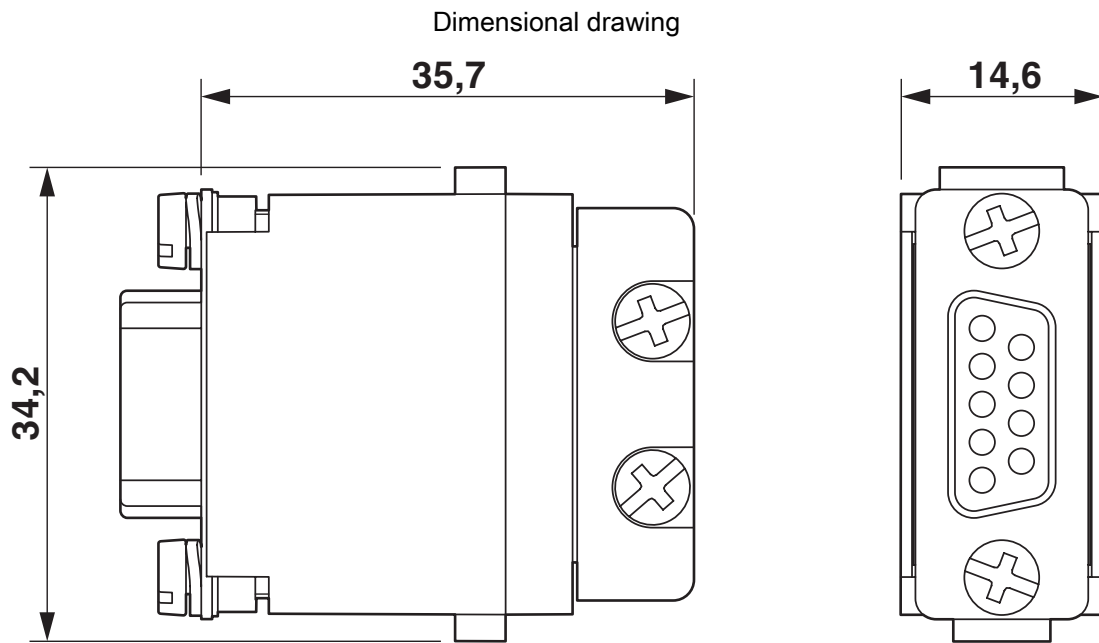


Stripping length specifications; pin assignment. Cable to be used: Order No. 14164457

# HC-M-DSUB 09-UT-F - Contact insert module

1417307

<https://www.phoenixcontact.com/us/products/1417307>



Female insert

# HC-M-DSUB 09-UT-F - Contact insert module



1417307

<https://www.phoenixcontact.com/us/products/1417307>

## Approvals

🔗 To download certificates, visit the product detail page: <https://www.phoenixcontact.com/us/products/1417307>

**DNV**

Approval ID: TAE000037S



**EAC**

Approval ID: RU C-DE.BL08.B.00511

# HC-M-DSUB 09-UT-F - Contact insert module



1417307

<https://www.phoenixcontact.com/us/products/1417307>

## Classifications

### ECLASS

ECLASS-11.0	27440218
ECLASS-12.0	27440218
ECLASS-13.0	27440218

### ETIM

ETIM 9.0	EC000438
----------	----------

### UNSPSC

UNSPSC 21.0	39121400
-------------	----------

# HC-M-DSUB 09-UT-F - Contact insert module



1417307

<https://www.phoenixcontact.com/us/products/1417307>

## Environmental product compliance

### EU RoHS

Fulfills EU RoHS substance requirements	Yes, No exemptions
---	--------------------

### China RoHS

Environment friendly use period (EFUP)	EFUP-E
	No hazardous substances above the limits

### EU REACH SVHC

REACH candidate substance (CAS No.)	No substance above 0.1 wt%
-------------------------------------	----------------------------



# HC-M-DSUB 09-UT-F - Contact insert module



1417307

<https://www.phoenixcontact.com/us/products/1417307>

## Accessories

### HC-CBU-MOD - Coding element

1636130

<https://www.phoenixcontact.com/us/products/1636130>



Coding socket for coding up to 16 connectors, for HC Modular

---

### HC-CST-MOD - Coding element

1636127

<https://www.phoenixcontact.com/us/products/1636127>



Coding peg for coding up to 16 connectors, for HC Modular

# HC-M-DSUB 09-UT-F - Contact insert module

1417307

<https://www.phoenixcontact.com/us/products/1417307>



## HC-M-B06-MFH-B - Module carrier frame

1182085

<https://www.phoenixcontact.com/us/products/1182085>



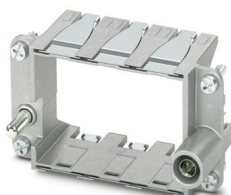
Module carrier frame, size: B6, type : for the panel mounting side (a, b, c, ...), 4 mm<sup>2</sup> ... 6 mm<sup>2</sup>, application: Module carrier frame

---

## HC-M-B10-MFH-B - Module carrier frame

1182088

<https://www.phoenixcontact.com/us/products/1182088>



Module carrier frame, size: B10, type : for the panel mounting side (a, b, c, ...), 4 mm<sup>2</sup> ... 6 mm<sup>2</sup>, application: Module carrier frame

# HC-M-DSUB 09-UT-F - Contact insert module

1417307

<https://www.phoenixcontact.com/us/products/1417307>



## HC-M-B16-MFH-B - Module carrier frame

1182090

<https://www.phoenixcontact.com/us/products/1182090>

Module carrier frame, size: B16, type : for the panel mounting side (a, b, c, ...), 4 mm<sup>2</sup> ... 6 mm<sup>2</sup>, application: Module carrier frame



---

## HC-M-B24-MFH-B - Module carrier frame

1182094

<https://www.phoenixcontact.com/us/products/1182094>

Module carrier frame, size: B24, type : for the panel mounting side (a, b, c, ...), 4 mm<sup>2</sup> ... 6 mm<sup>2</sup>, application: Module carrier frame



# HC-M-DSUB 09-UT-F - Contact insert module

1417307

<https://www.phoenixcontact.com/us/products/1417307>

## HC-M-B06-MFH-H - Module carrier frame

1182087

<https://www.phoenixcontact.com/us/products/1182087>



Module carrier frame, size: B6, type : for the sleeve side (A, B, C, ...), 4 mm<sup>2</sup> ... 6 mm<sup>2</sup>, application: Module carrier frame

---

## HC-M-B10-MFH-H - Module carrier frame

1182089

<https://www.phoenixcontact.com/us/products/1182089>



Module carrier frame, size: B10, type : for the sleeve side (A, B, C, ...), 4 mm<sup>2</sup> ... 6 mm<sup>2</sup>, application: Module carrier frame

# HC-M-DSUB 09-UT-F - Contact insert module

1417307

<https://www.phoenixcontact.com/us/products/1417307>



## HC-M-B16-MFH-H - Module carrier frame

1182093

<https://www.phoenixcontact.com/us/products/1182093>

Module carrier frame, size: B16, type : for the sleeve side (A, B, C, ...), 4 mm<sup>2</sup> ...  
6 mm<sup>2</sup>, application: Module carrier frame



---

## HC-M-B24-MFH-H - Module carrier frame

1182095

<https://www.phoenixcontact.com/us/products/1182095>

Module carrier frame, size: B24, type : for the sleeve side (A, B, C, ...), 4 mm<sup>2</sup> ...  
6 mm<sup>2</sup>, application: Module carrier frame



# HC-M-DSUB 09-UT-F - Contact insert module

1417307

<https://www.phoenixcontact.com/us/products/1417307>



## HC-M-DSUB-09-UT-M - Contact insert module

1423723

<https://www.phoenixcontact.com/us/products/1423723>



Contact insert module, number of positions: 9, type : D-SUB 9, Pin, Screw connection, 48 V, 1 A, 0.08 mm<sup>2</sup> ... 0.5 mm<sup>2</sup>, application: Data

---

Phoenix Contact 2024 © - all rights reserved

<https://www.phoenixcontact.com>

Phoenix Contact USA  
586 Fulling Mill Road  
Middletown, PA 17057, United States  
(+717) 944-1300  
[info@phoenixcon.com](mailto:info@phoenixcon.com)