

Please be sure to read these general terms of use, before using this product.

NXFT15XV103FA2B___

Sensors > Temperature Sensors > NTC for Temperature Sensor
Thermistors > NTC Thermistors > NTC for Temperature Sensor

In Production **Recommended** **?**

RoHS **REACH** **?**

Download a PDF file of this page

How to read part numbers

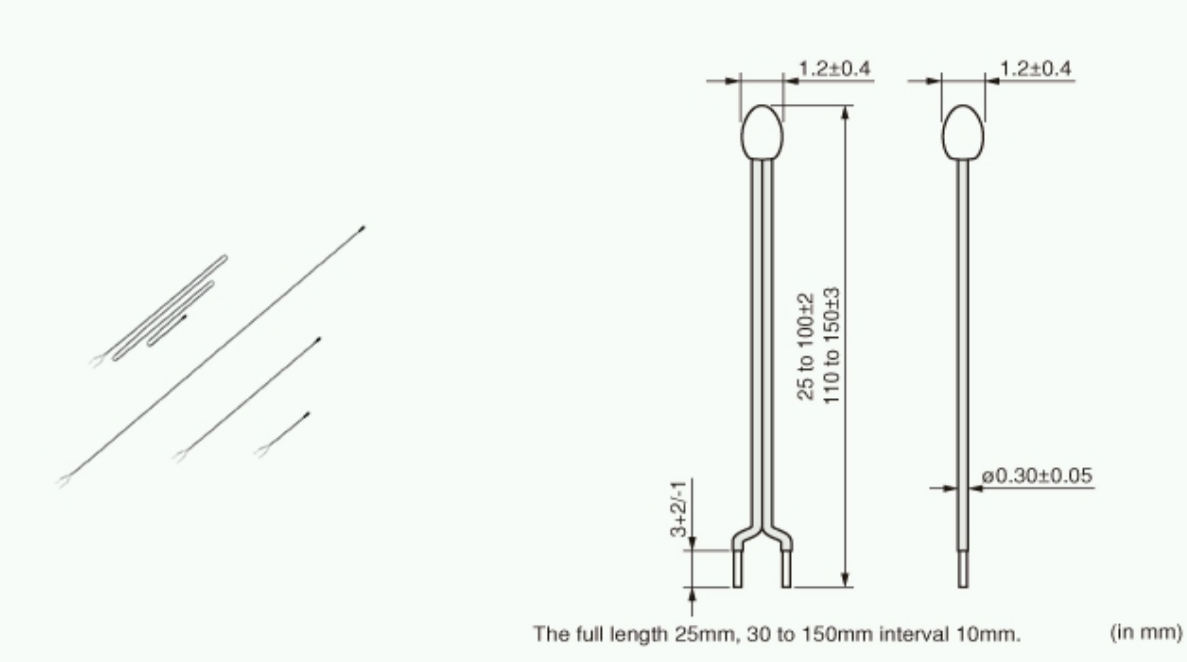
Details

Caution/Notice

Specifications and Test Method

Resistance VS. Temperature

Appearance & Shape



Specifications

Resistance (25°C)	10kΩ
Resistance Value Tolerance (at 25°C)	±1%
B-Constant (25/50°C)	3936K
B-Constant (25/50°C) Tolerance	±1%
B-Constant(25/80°C)(Reference Value)	3971K
B-Constant(25/85°C)(Reference Value)	3977K
B-Constant(25/100°C)(Reference Value)	3988K
Operating Current for Sensor(25°C)	0.12mA
Rated Electric Power (25°C)	8.0mW
Typical Dissipation Constant (25°C)	1.5mW/°C
Thermal Time Constant	4s
Operating Temperature Range	-40°C to 125°C
Lead Shape	Lead Wire type
Shape	Lead
Mass	0.03g to 0.15g

Features

- High accuracy and high sensibility temperature sensing is available by the small size and high accuracy NTC Thermistor.
- Narrow space temperature sensing is available by the small sensing head and the thin lead wire.
- Flexibility and wide variety length (25 mm to 150mm) enables designing flexible temperature sensing architectures.
- This product is compatible with our 0402 (EIA) size chip Thermistor.
- Excellent long time aging stability
- This is halogen free product (Cl= max.900ppm, Br=max.900ppm and Cl+Br=max.1500ppm).
- Lead is not contained in the product
- Lead series are recognized by UL/cUL (UL1434, File No.E137188).

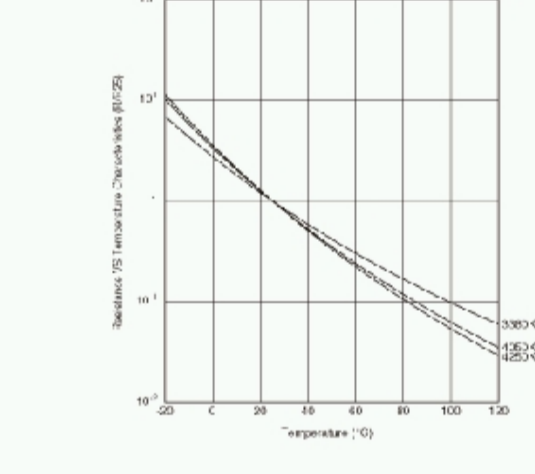
Applications

Limited Usage	Consumer Grade
Other Usage	<ol style="list-style-type: none"> Temperature compensation for transistor, IC and crystal oscillator in mobile communications Temperature sensor for rechargeable batteries Temperature compensation of LCD Temperature compensation in general use of electric circuits

Packaging Information

Packaging	Specifications	Minimum Order Quantity
B	Bulk(Bag)	1000

Product Data



Resistance-Temperature Characteristics

Products	Applications	About Murata
Capacitor	Smart home	Company
Inductors	Healthcare	About Murata Americas
EMI Suppression Products / ESD Protection Devices	Automotive	Murata Robots
Resistors	Mobile Communication	Newsroom
Thermistors	Network	Technology
Sensors	Data Center	Procurement Guidelines
Timing Devices	Lighting	Investor Relations
Quartz Devices	Industrial Equipment	Corporate Social Responsibility
Sound Components	White Goods	
Power Devices	Personal Computers	
Small Energy Devices	Business Machine	
Micro Mechatronics	AV	
RFID/NFC	Security & Safety	
Matching Devices	Design Tools	
Balun	Web Software	
Coupler	Download	
Filters	S-parameter	
SAW Components	Netlist	
Phase Shifter	CAD	
RF Switch	Libraries	
Front End Module	Support	
Connectors	Contact Information	
Isolators	FAQs	
RF Modules	Library	
Wireless Connectivity Platforms	Health and Safety Compliance	
Ultra Low power Short Range RF-IC	Avoiding Counterfeit Products	
Substrates	Restriction of Weapons and Military End-Use	
Ionizers / Active Oxygen Module (Ozonizers)	Stock Check	

EU RoHS / REACH
Approach for chemical regulation for Murata Products.
[Find out more](#)