

NFM18PS105R0J3#

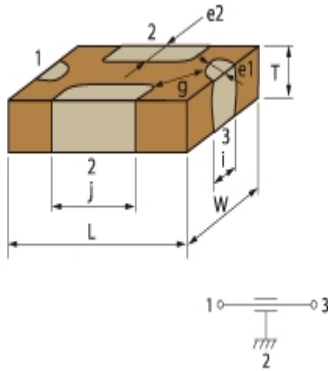
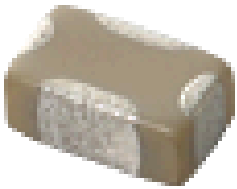
“#” indicates a package specification code.



< List of part numbers with package codes >

NFM18PS105R0J3D

Appearance & Shape



References

| Packaging | Specifications | Minimum Order Quantity |
|-----------|------------------|------------------------|
| D | 180mm Paper Tape | 4000 |

Attention

- 1.This datasheet is downloaded from the website of Murata Manufacturing Co., Ltd. Therefore, it's specifications are subject to change or our products in it may be discontinued without advance notice. Please check with our sales representatives or product engineers before ordering.
- 2.This datasheet has only typical specifications because there is no space for detailed specifications. Therefore, please review our product specifications or consult the approval sheet for product specifications before ordering.

NFM18PS105R0J3#

“#” indicates a package specification code.



Specifications

| | |
|---------------------------------------|-----------------|
| Length | 1.6±0.1mm |
| Width | 0.8±0.1mm |
| Thickness | 0.6±0.1mm |
| Capacitance | 1.0μF ±20% |
| Distance between external terminals g | 0.2mm min. |
| DC Resistance(max.) | 30mΩ |
| External terminal size e1 | 0.15+0.2/-0.1mm |
| External terminal size e2 | 0.15+0.2/-0.1mm |
| External terminal size i | 0.4±0.1mm |
| External terminal size J | 0.8+0.2/-0.1mm |
| Operating Temperature Range | -55°C to 105°C |
| Rated Current | 2A |
| Rated Voltage | 6.3Vdc |
| Size code in inch(mm) | 0603 (1608M) |

Attention

1.This datasheet is downloaded from the website of Murata Manufacturing Co., Ltd. Therefore, it's specifications are subject to change or our products in it may be discontinued without advance notice. Please check with our sales representatives or product engineers before ordering.

2.This datasheet has only typical specifications because there is no space for detailed specifications.

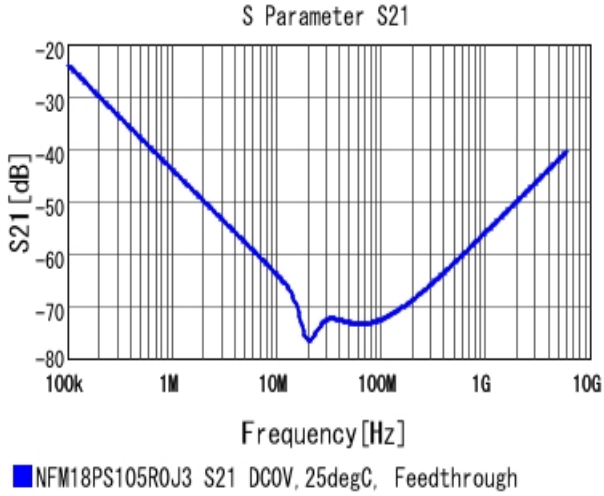
Therefore, please review our product specifications or consult the approval sheet for product specifications before ordering.

NFM18PS105R0J3#

“#” indicates a package specification code.

Characteristic Data

The charts below may show another part number which shares its characteristics.



Attention

- 1.This datasheet is downloaded from the website of Murata Manufacturing Co., Ltd. Therefore, it's specifications are subject to change or our products in it may be discontinued without advance notice. Please check with our sales representatives or product engineers before ordering.
- 2.This datasheet has only typical specifications because there is no space for detailed specifications.
Therefore, please review our product specifications or consult the approval sheet for product specifications before ordering.