



Features

- Available in E6 series
- Unit height of 4.8 mm
- Current up to 7.8 A
- RoHS compliant*

Applications

- Input/output of DC/DC converters
- Power supplies for:
 - Portable communication equipment
 - Camcorders
 - LCD TVs
 - Car radios

SRU1048 Series - Shielded SMD Power Inductors

Electrical Specifications

| Bourns Part No. | Inductance 100 KHz | | Q Ref. | Test Frequency (MHz) | SRF Typ. (MHz) | RDC (mΩ) | I rms Max. (A) | I sat Typ. (A) |
|-----------------|--------------------|--------|--------|----------------------|----------------|----------|----------------|----------------|
| | (μH) | Tol. % | | | | | | |
| SRU1048-R80Y | 0.8 | ± 30 | 8 | 7.96 | 100.0 | 3.6 | 7.80 | 8.50 |
| SRU1048-1R5Y | 1.5 | ± 30 | 14 | 7.96 | 70.0 | 4.3 | 7.00 | 7.20 |
| SRU1048-2R2Y | 2.2 | ± 30 | 14 | 7.96 | 55.0 | 5.3 | 6.50 | 6.30 |
| SRU1048-3R0Y | 3.0 | ± 30 | 14 | 7.96 | 40.0 | 7.2 | 6.20 | 6.00 |
| SRU1048-4R7Y | 4.7 | ± 30 | 12 | 7.96 | 30.0 | 9.5 | 5.50 | 4.75 |
| SRU1048-6R8Y | 6.8 | ± 30 | 10 | 7.96 | 20.0 | 13.6 | 4.80 | 4.10 |
| SRU1048-8R2Y | 8.2 | ± 30 | 8 | 7.96 | 18.0 | 15.0 | 4.60 | 3.80 |
| SRU1048-100Y | 10.0 | ± 30 | 26 | 7.96 | 16.0 | 18.5 | 4.50 | 3.70 |
| SRU1048-120Y | 12.0 | ± 30 | 26 | 2.52 | 15.0 | 25.0 | 4.00 | 3.30 |
| SRU1048-150Y | 15.0 | ± 30 | 30 | 2.52 | 14.0 | 29.0 | 3.20 | 2.70 |
| SRU1048-220Y | 22.0 | ± 30 | 22 | 2.52 | 12.0 | 42.0 | 2.60 | 2.00 |
| SRU1048-330Y | 33.0 | ± 30 | 24 | 2.52 | 10.0 | 63.0 | 2.10 | 1.70 |
| SRU1048-470Y | 47.0 | ± 30 | 26 | 2.52 | 8.0 | 94.0 | 1.70 | 1.50 |
| SRU1048-560Y | 56.0 | ± 30 | 26 | 2.52 | 7.0 | 110.0 | 1.60 | 1.40 |
| SRU1048-680Y | 68.0 | ± 30 | 24 | 2.52 | 6.0 | 127.0 | 1.40 | 1.25 |
| SRU1048-820Y | 82.0 | ± 30 | 24 | 2.52 | 5.5 | 149.0 | 1.30 | 1.10 |
| SRU1048-101Y | 100.0 | ± 30 | 26 | 0.796 | 5.0 | 160.0 | 1.20 | 1.00 |
| SRU1048-151Y | 150.0 | ± 30 | 24 | 0.796 | 4.5 | 235.0 | 1.00 | 0.80 |
| SRU1048-221Y | 220.0 | ± 30 | 20 | 0.796 | 4.0 | 350.0 | 0.80 | 0.70 |
| SRU1048-331Y | 330.0 | ± 30 | 18 | 0.796 | 3.0 | 490.0 | 0.65 | 0.52 |
| SRU1048-561Y | 560.0 | ± 30 | 24 | 0.796 | 1.9 | 890.0 | 0.47 | 0.37 |

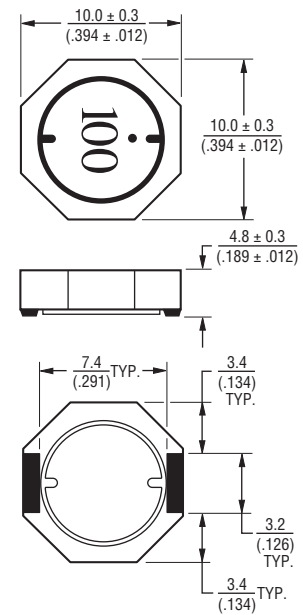
General Specifications

Test Voltage.....1 V
 Reflow Soldering ...230 °C, 50 sec. max.
 Operating Temperature
-40 °C to +125 °C
 (Temperature rise included)
 Storage Temperature...-40 °C to +125 °C
 Resistance to Soldering Heat
260 °C for 10 sec.

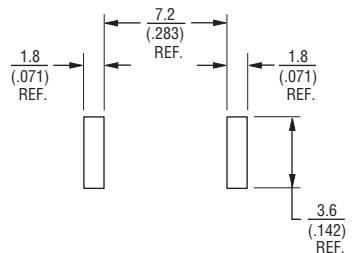
Materials

Core.....Ferrite DR and RI core
 Wire.....Enameled copper
 TerminalAg/Ni/Sn
 Rated Current
Ind. drop 35 % typ. at Isat
 Temperature Rise
30 °C max. at rated I_{rms}
 Packaging.....600 pcs. per reel

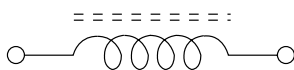
Product Dimensions



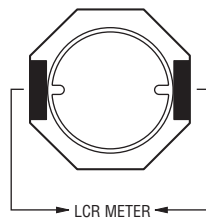
Recommended Layout



Electrical Schematic



Inductor Connection



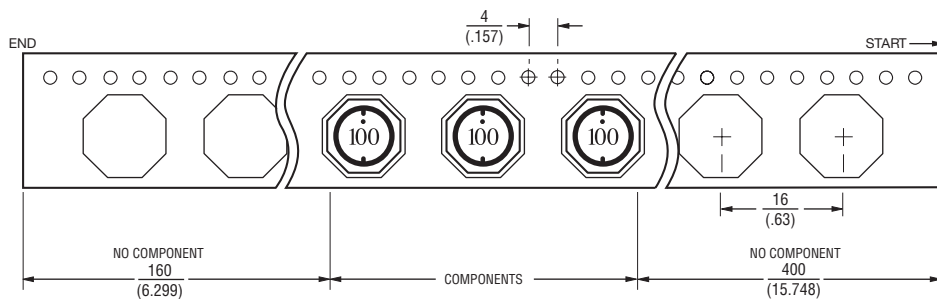
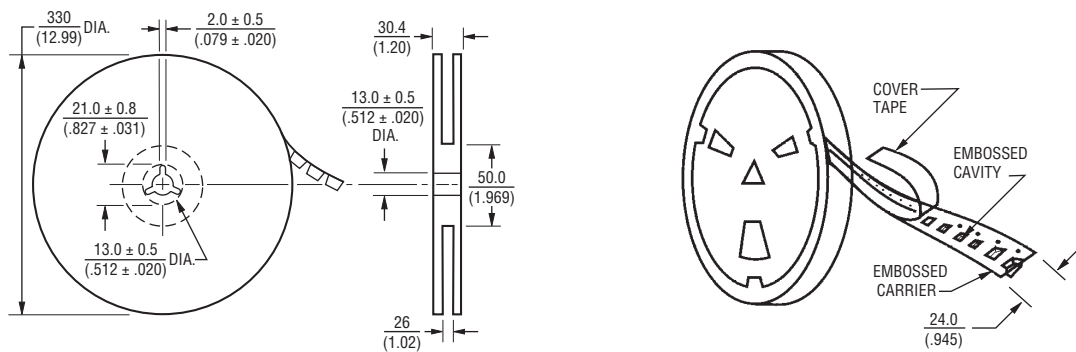
DIMENSIONS: $\frac{\text{MM}}{\text{(INCHES)}}$

*RoHS Directive 2002/95/EC Jan 27, 2003 including Annex. Specifications are subject to change without notice. Customers should verify actual device performance in their specific applications.

SRU1048 Series - Shielded SMD Power Inductors

BOURNS®

Packaging Specifications



USER DIRECTION OF FEED

QTY: 600 PCS. PER REEL

DIMENSIONS: $\frac{\text{MM}}{\text{(INCHES)}}$

REV. 05/11

Specifications are subject to change without notice.

Customers should verify actual device performance in their specific applications.