



THE PRODUCT

The idea of giving greater expression to ergonomic requirements was the starting point of the development of the SMART-CASE®.

And so the design follows the touch sensation of the human being, thus facilitating natural sequences of hand movements.

Benefit from the outstanding balance between design and technical sophistication.

YOUR ADVANTAGE

Convincing ergonomics; unique design.

Ideal for remote controls, with cables or with battery compartment.

Cable strain relief for sizes M, L and XL for cables \varnothing 0.134 - 0.232 inch. Cable strain relief already included.

Optionally in material permeable to infra-red signals from stock. For utmost efficiency the front face is polished.

Recessed operating area to protect the membrane keyboard (M/L/XL).

Fastening pillars and fixing supports for PCBs and components.

APPLICATIONS

Remote controls of all types, wireless or with cable connection.

Especially suitable for use in hospitals and social fields as well as in industry and households.

PROTECTION CLASS IP 40 / 41



IP 40: XS, IP 41: M, L & XL
With sealing (accessories) up to IP 65:
L and XL versions without battery compartment

MAX. SIZE OF PCB

SMART-CASE®	L x W/W ₂ in inches	
	base part	top part
XS	1.811 x 1.142/0.709	—
M	2.283 x 1.496/1.181	2.480 x 1.575/1.220
L	3.465 x 1.969/1.654	4.606 x 2.008/1.457
XL	5 x 2.362/1.969	3.071 x 2.362/2.205 +1.969x2.165/1.850

(cutouts of pillars and battery compartment not taken into consideration)



Off-white, RAL 9002 
Black, RAL 9005 



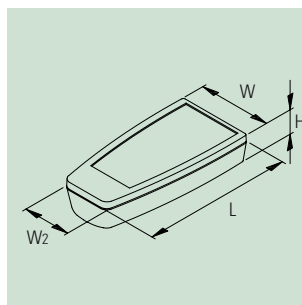
XS



M



L/XL

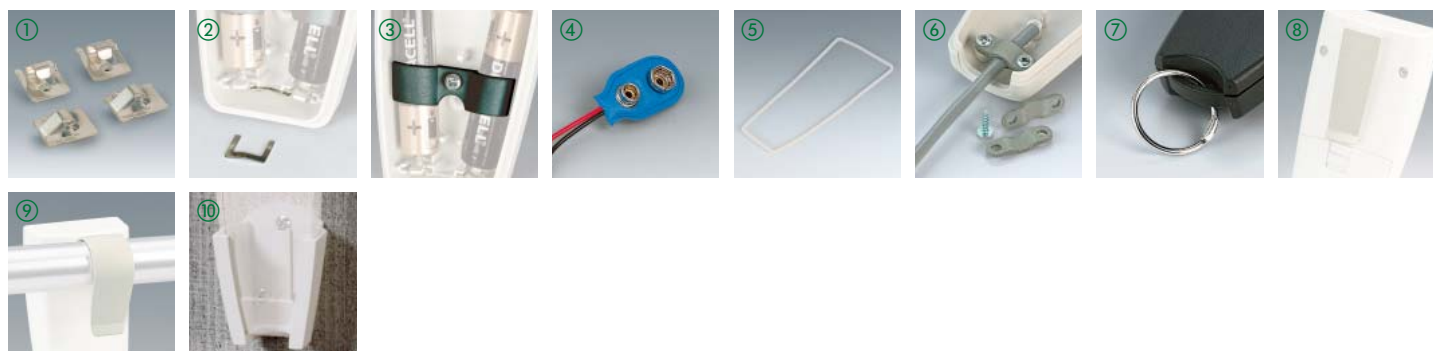


ENCLOSURES

SMART-CASE®	Outside dim. in inches			Version / Equipment (dim. in inches)			Material base part/top part	Part-No.		
	L	W	H	battery comp.	cable strain relief ø*1	max. dim. keypad		off-white	black	
XS	2.283	1.402	0.748	–	–	–	without recessed area	ABS (UL 94 HB)	A 90 64 107	A 90 64 109
	2.283	1.402	0.748	–	–	–	without recessed area	PMMA (plexiglass®)*2	–	A 90 64 209
M	3.780	1.850	0.945	I	2 x AAA	–	without recessed area	ABS (UL 94 HB)	A 90 66 107	A 90 66 109
	3.780	1.850	0.945	I	2 x AAA	–	without recessed area	PMMA (plexiglass®)*2	–	A 90 66 209
	3.780	1.850	0.945	II	2 x AAA	–	2.937 x 1.569	ABS (UL 94 HB)	A 90 66 117	A 90 66 119
	3.780	1.850	0.945	II	2 x AAA	–	2.937 x 1.569	PMMA (plexiglass®)*2	–	A 90 66 219
	3.780	1.850	0.945	III	–	approx. 0.197 - 0.232	2.937 x 1.569	ABS (UL 94 HB)	A 90 66 127	A 90 66 129
	3.780	1.850	0.945	IV	–	approx. 0.165 - 0.197	2.937 x 1.569	ABS (UL 94 HB)	A 90 66 137	A 90 66 139
	3.780	1.850	0.945	V	–	approx. 0.134 - 0.165	2.937 x 1.569	ABS (UL 94 HB)	A 90 66 147	A 90 66 149
	3.780	1.850	0.945	V	–	approx. 0.134 - 0.165	2.937 x 1.569	ABS (UL 94 HB)	A 90 66 147	A 90 66 149
L	5.512	2.469	1.201	I	2 x AA / 1 x 9 V	–	4.093 x 2.006	ABS (UL 94 HB)	A 90 67 107	A 90 67 109
	5.512	2.469	1.201	I	2 x AA / 1 x 9 V	–	4.093 x 2.006	PMMA (plexiglass®)*2/ABS	–	A 90 67 209
	5.512	2.469	1.201	II	–	–	4.093 x 2.006	ABS (UL 94 HB)	A 90 67 117	A 90 67 119
	5.512	2.469	1.201	II	–	–	4.093 x 2.006	PMMA (plexiglass®)*2/ABS	–	A 90 67 219
	5.512	2.469	1.201	III	–	approx. 0.197 - 0.232	4.093 x 2.006	ABS (UL 94 HB)	A 90 67 127	A 90 67 129
	5.512	2.469	1.201	IV	–	approx. 0.165 - 0.197	4.093 x 2.006	ABS (UL 94 HB)	A 90 67 137	A 90 67 139
	5.512	2.469	1.201	V	–	approx. 0.134 - 0.165	4.093 x 2.006	ABS (UL 94 HB)	A 90 67 147	A 90 67 149
	5.512	2.469	1.201	V	–	approx. 0.134 - 0.165	4.093 x 2.006	ABS (UL 94 HB)	A 90 67 147	A 90 67 149
	5.512	2.469	1.201	V	–	approx. 0.134 - 0.165	4.093 x 2.006	ABS (UL 94 HB)	A 90 67 147	A 90 67 149
	5.512	2.469	1.201	V	–	approx. 0.134 - 0.165	4.093 x 2.006	ABS (UL 94 HB)	A 90 67 147	A 90 67 149
XL	6.614	2.929	1.394	I	2 x AA / 1 x 9 V	–	4.354 x 2.404	ABS (UL 94 HB)	A 90 68 107	A 90 68 109
	6.614	2.929	1.394	I	2 x AA / 1 x 9 V	–	4.354 x 2.404	PMMA (plexiglass®)*2/ABS	–	A 90 68 209
	6.614	2.929	1.394	II	–	–	4.354 x 2.404	ABS (UL 94 HB)	A 90 68 117	A 90 68 119
	6.614	2.929	1.394	II	–	–	4.354 x 2.404	PMMA (plexiglass®)*2/ABS	–	A 90 68 219
	6.614	2.929	1.394	III	–	approx. 0.197 - 0.232	4.354 x 2.404	ABS (UL 94 HB)	A 90 68 127	A 90 68 129
	6.614	2.929	1.394	IV	–	approx. 0.165 - 0.197	4.354 x 2.404	ABS (UL 94 HB)	A 90 68 137	A 90 68 139
	6.614	2.929	1.394	V	–	approx. 0.134 - 0.165	4.354 x 2.404	ABS (UL 94 HB)	A 90 68 147	A 90 68 149
	6.614	2.929	1.394	V	–	approx. 0.134 - 0.165	4.354 x 2.404	ABS (UL 94 HB)	A 90 68 147	A 90 68 149
	6.614	2.929	1.394	V	–	approx. 0.134 - 0.165	4.354 x 2.404	ABS (UL 94 HB)	A 90 68 147	A 90 68 149
	6.614	2.929	1.394	V	–	approx. 0.134 - 0.165	4.354 x 2.404	ABS (UL 94 HB)	A 90 68 147	A 90 68 149

ACCESSORIES

Article	For enclosure SMART-CASE®	Version / Application	Part-No.	
① Set of battery clips	M	tin-plated, for 2 x 1.5 V micro cells (AAA)	A 91 66 001	
	L, XL	tin-plated, for 2 x 1.5 V mignon cells (AA)	A 91 90 002	
② Battery contact	M	tin-plated, for a serial connection when using the set of batt. clips	A 91 66 002	
③ Battery holder	M	clamps down securely 2 x AAA	A 91 66 003	
④ Plug-in contact	L, XL	for one 9 V flat battery	A 91 60 003	
⑤ Sealing	L	for versions II-V, for a higher protection class (IP 65)	A 91 67 002	
	XL	for versions II-V, for a higher protection class (IP 65)	A 91 68 002	
⑥ Set of strain relief	M, L, XL	for strain relief of cable connected applications	A 91 66 004	
⑦ Keyring	XS	nickel-plated, ø 0.807 inch	A 91 64 001	
			off-white black	
⑧ Belt / pocket clip	M, L, XL	PA 6x, 2 mounting holes ø 0.165 inch necessary	A 91 67 017	A 91 67 019
⑨ Holding clamp	M, L, XL	up to ø 1.260 inch, ABS, mounting holes ø 0.165 inch necessary	A 91 67 027	A 91 67 029
⑩ Holder	M	ABS, also suitable for cable connected applications	A 91 66 307	A 91 66 309
	L	ABS, also suitable for cable connected applications	A 91 67 307	A 91 67 309
	XL	ABS, also suitable for cable connected applications	A 91 68 307	A 91 68 309



*1 standard color volcano, NCS 5502-G.

*2 cases made of PMMA (plexiglass®) not comparable to cases made of ABS in terms of mechanical load-bearing capacity

NEW PRODUCT