



YOUR
ADVANTAGE

- Convincing ergonomics; unique design.
- Ideal for remote controls, with cables or with battery compartment.
- Cable strain relief for size L for cables with cross section 3.4 - 5.9 mm. Cable strain relief already included.
- Optional in material permeable to infra-red signals from stock. Bottom in PMMA (plexiglass®), top part in Polystyrene. For utmost efficiency the front face is polished.
- Recessed operating area to protect the membrane keyboard (L/M).
- Practical belt / pocket clip (size L/M), please refer to page 18 for part-no.

STANDARD
COLOURS

Off-white, RAL 9002.
Black, RAL 9005.

Fine textured surface. Please refer to colour chart on page 214.

MATERIAL

High-impact Polystyrene (UL 94 HB) or PMMA (plexiglass®) permeable to infra-red signals. Please refer to the specifications on pages 215-217.



APPLICATIONS

Remote controls of all types, wireless or with cable connection. Especially suitable for use in hospitals and social fields as well as in industry and households.



Signal transmitter with a set of keys.

ERGONOMIC AND SMART

This new case design is extremely convincing with its unique contoured profile, which fits comfortably in the hand for ease of use.

The SMART-CASES are available in 3 sizes.

Ideally suited for rubber keyboards and press buttons, SMART-CASE L and M can also be used together with membrane keyboards.

MODIFICATIONS
AS PER
CUSTOMER'S
REQUIREMENTS

Machining on modern CNC-controlled machines. Lacquering. Silk screen and tamper printing. See pages 210-213.

DESIGN

Miniature case composed of 2 parts. Top and base part are assembled by 1 screw.

With location bar for a keyring. Space for a 12 V round cell and small round cells (similar to watch batteries).

SUPPLY

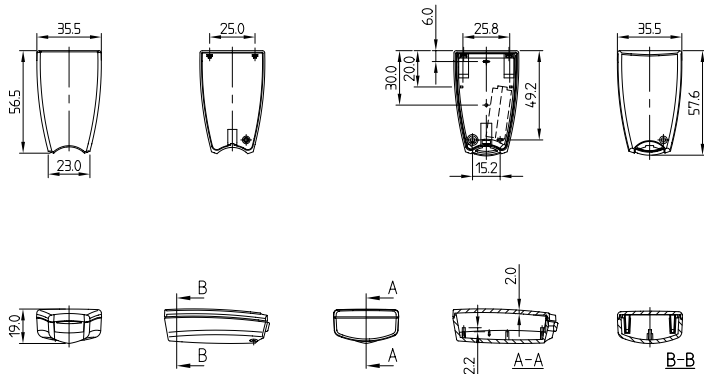
1 base and 1 top part with 1 self-tapping screw.



PROTECTION CLASS IP 40

Detailed drawing available on demand in dwg or dxf format.

⊕ ⊕ = Type of screw for case fixing: cross head



Max. size of PCB: drawing available on demand

⊕ H (PH1)

MODIFICATIONS AS PER CUSTOMER'S REQUIREMENTS

See pages 210-213.

CASE		Colour	Material	
Outside dimensions in mm				
L	W	H		
57,6	35,5	19	off-white	Polystyrene
57,6	35,5	19	black	Polystyrene
57,6	35,5	19	black	PMMA (plexiglass®)
ACCESSORIES				
Article	Version			
Keyring	nickel-plated, ø 20.5 mm			

Part-No.

A 90 64 107

A 90 64 109

A 90 64 209

A 91 64 001



DESIGN

Ergonomic case composed of two parts. Location at the front along with a screw in the center of the case. Integrated supports for two 1.5 V micro cells (AAA).

SUPPLY

1 base and 1 top part with 1 self-tapping screw.

PROTECTION CLASS IP 41

VERSION I

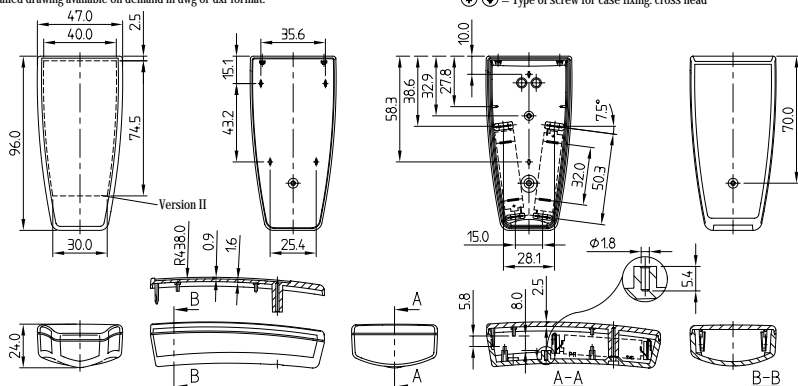
Case-top without recessed operating area.

VERSION II

NEW: Case-top with recessed operating area.

Detailed drawing available on demand in dwg or dxf format.

⊕ ⊗ = Type of screw for case fixing: cross head



Max. size of PCB: drawing available on demand

⊕ Z (PZ1)

Part-No.		CASE		Colour	Material	MODIFICATIONS AS PER CUSTOMER'S REQUIREMENTS See pages 210-213.
Version I	Version II	Outside dimensions in mm				
L	W	H				
A 90 66 107	A 90 66 117	96	47	24	off-white, RAL 9002	
A 90 66 109	A 90 66 119	96	47	24	black, RAL 9005	Polystyrene (UL 94 HB)
A 90 66 209	A 90 66 219	96	47	24	black, RAL 9005	PMMA (plexiglass®)
ACCESSORIES						
Article		Version				
A 91 66 001		Set of battery clips tin plated, for two 1.5 V micro cells (AAA)				
Description and references for Belt/Pocket clip see page 18.						

DESIGN

Large, ergonomic hand-held box. Solid design. With recessed operating area, e.g. for membrane keyboards. Comprising three parts and externally accessible battery compartment for two 1.5 V mignon cells (AA) or a 9 V flat battery. Additional versions with cable strain relief, suitable for round cables \varnothing 5.0 - 5.9 mm. IP 65 with sealing (acc.), tested with cable \varnothing 5.8 mm.

SUPPLY

Case-top and base, assembly kit. Battery compartment lid and cable strain relief is already included in the supply for the corresponding version.



VERSION I
With battery compartment.

VERSION II
Without battery compartment. Sealed up to IP 65.

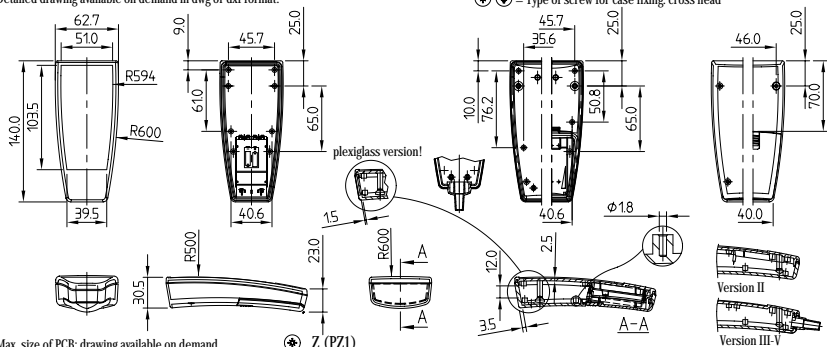
VERSION III
Without battery comp. Base with cutout for cable strain relief, suitable for round cables \varnothing 5.0 - 5.9 mm. IP 65 with sealing (acc.), tested with cable \varnothing 5.8 mm.

VERSION IV
Without battery comp. Base with cutout for cable strain relief, suitable for round cables \varnothing 4.2 - 5.0 mm.

VERSION V
Without battery comp. Base with cutout for cable strain relief, suitable for round cables \varnothing 3.4 - 4.2 mm.

Detailed drawing available on demand in dwg or dxf format.

⊕ ⊕ = Type of screw for case fixing: cross head



Max. size of PCB: drawing available on demand

⊕ Z (PZ1)

MODIFICATIONS AS PER CUSTOMER'S REQUIREMENTS

See pages 210-213.

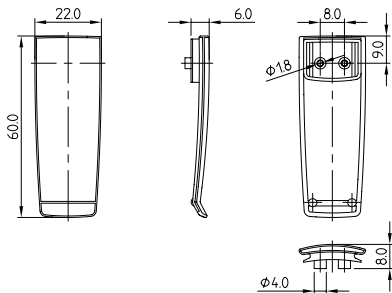
CASE	Outside dimensions in mm		Colour	Material	Part-No.			
	L	W			H	Version I	Version II	Version III
140	62,7	30,5	off-white	Polystyrene (UL 94 HB)	A 90 67 107	A 90 67 117		
140	62,7	30,5	black	Polystyrene (UL 94 HB)	A 90 67 109	A 90 67 119		
140	62,7	30,5	black	base PMMA, top Polystyrene (UL 94 HB)	A 90 67 209	-		
							Version III	Version IV
140	62,7	30,5	off-white	Polystyrene (UL 94 HB)			A 90 67 127	A 90 67 137
140	62,7	30,5	black	Polystyrene (UL 94 HB)			A 90 67 129	A 90 67 147
								Version IV
								Version V
ACCESSORIES								
Article			Version					
Set of battery clips			tin plated, for two 1.5 V mignon cells (AA)					A 91 90 002
Plug-in contact			for 1 x 9 V flat battery (PP3)					A 91 60 003
Sealing kit			for versions II-V, for a higher protection class					A 91 67 002

BELT / POCKET CLIP

Special clip for Smart-Case M and L. The versions are already provided with premoulded center holes which can be drilled or punched in order to fit the clip.

Supply:

- 1 belt / pocket clip.
- 2 fixing screws $\varnothing 2.2 \times 6$ mm.



Part-No.

A 91 67 017

A 91 67 019

Article / Colour

Belt / Pocket clip, off-white RAL 9002

Belt / Pocket clip, black RAL 9005