

PRODUCT NUMBER

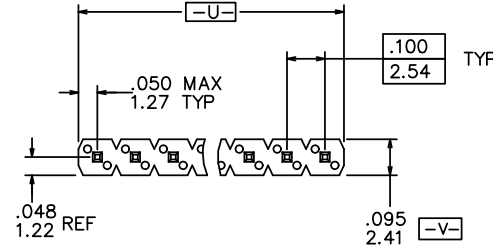
XXXXX-YYYHTLF

- LEAD FREE OPTION
SEE NOTE 1,11
- TUBE PACKAGING OPTION
SEE NOTE 1
- HIGH TEMPERATURE PLASTIC
SEE NOTE 1
- NO OF POSITIONS
SEE NOTE 1
- PIN PLATING
SEE SHEET 2
- BASE PART NO.

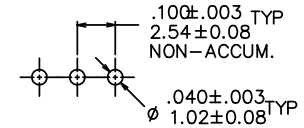
PRODUCT NUMBER

69190-XXXXX HALF

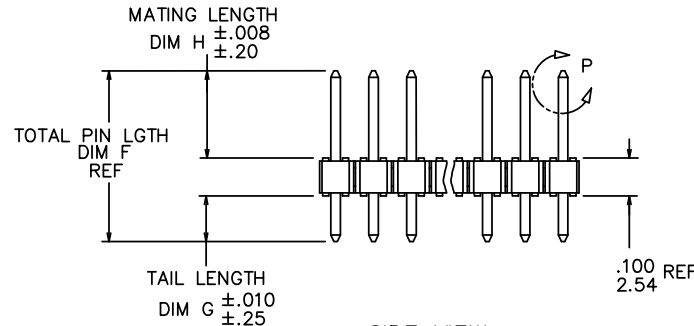
- LEAD FREE OPTION
SEE NOTE 1,11
- PACKAGING OPTION
SEE NOTE 1
- HIGH TEMPERATURE PLASTIC
SEE NOTE 1
- INDICATE DIFFERENT MATING LENGTH
AND TAIL LENGTH
- NO OF POSITIONS
SEE NOTE 1
- PIN PLATING
SEE SHEET 2
- BASE PART NO.



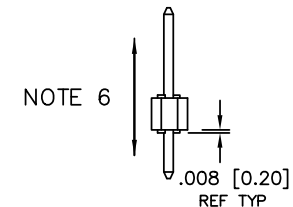
TOP VIEW



RECOMMENDED HOLE PATTERN



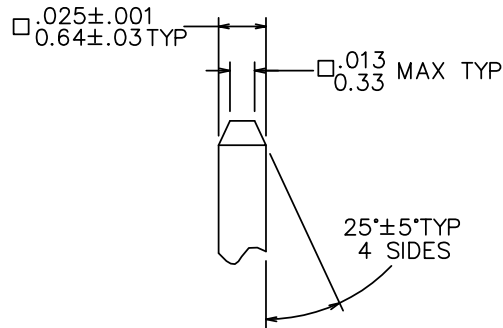
SIDE VIEW



END VIEW

⊕ ∅ .020/.51 (M) U (M) V (S)

NOTE 4



DETAIL P
TYP BOTH ENDS

| | | | | | | | | | | | |
|----------------------------|-------------|-----|------------|---------------------------------------|--------------|----------------------------------|--|----------------|--|--|--|
| mat'l. code NOTES 2 & 3 | | | | surface ISO 1302 ✓ | | tolerance ISO 406 ISO 1101 | | projection | | product family BERGSTIK | |
| ltr | ecn no | dr | date | tolerances unless otherwise specified | | linear | | INCH/MM | | title | |
| AM | ELX-N-13674 | DCS | 2012-12-12 | angles | | .XX±01/.XX±0.3 | | scale 1:1 | | BERGSTIK® II HEADER .100/2.54 SR SELF-RET | |
| AG | M05-0072 | MHT | 5/03/05 | 0°±2' | | .XXX±005/.XXX±0.13 | | | | dwg no sheet 1 of 4 size | |
| AH | M06-0269 | MNR | 7/17/06 | dr | D. WHITING | 4/19/93 | | | | 69190 A3 | |
| AJ | M06-0346 | MHT | 9/04/06 | enr | T.HANNA | 4/19/93 | | | | | |
| AK | M08-0291 | MHT | 10/06/08 | chr | T. BREWBAKER | 4/19/93 | | | | | |
| AL | N11-0118 | J.Z | 2011-04-11 | appd | T.HANNA | 4/19/93 | | | | type Product Customer Drawing | |
| sheet | revision | AM | AM | AM | AM | | | | | | |
| index | sheet | 1 | 2 | 3 | 4 | | | | | | |



Copyright FCI

| PIN PLATING CODES: | |
|--------------------|---|
| XXXX-1YY | 30u"/0.76u MIN (SEE NOTE 12) OVER 50u"/1.27u MIN Ni |
| XXXX-2YY | 15u"/0.38u MIN (SEE NOTE 12) OVER 50u"/1.27u MIN Ni |
| XXXX-3YY | 50u"/1.27u MIN (SEE NOTE 12) OVER 50u"/1.27u MIN Ni |
| XXXX-4YY | 100u"/2.54u MIN Sn OVER 50u"/1.27u MIN Ni (SEE NOTE 13) |
| XXXX-4YYHLF | |
| XXXX-5YY | 15u"/0.38u MIN (SEE NOTE 12) OVER 50u"/1.27u MIN Ni |
| XXXX-6YY | 30u"/0.76u MIN (SEE NOTE 12) OVER 50u"/1.27u MIN Ni |
| XXXX-7YY | 30u"/0.76u MIN (SEE NOTE 12) OVER 50u"/1.27u MIN Ni |
| XXXX-8YY | 15u"/0.38u MIN (SEE NOTE 12) OVER 50u"/1.27u MIN Ni |
| XXXX-9YY | 15u"/0.38u MIN (SEE NOTE 12) OVER 50u"/1.27u MIN Ni |
| XXXX-0YY | 30u"/0.76u MIN (SEE NOTE 12) OVER 50u"/1.27u MIN Ni |

NOTES

- PART NUMBER OPTIONS:
 PIN PLATING CODES (SEE ABOVE)
 HIGH TEMP. MATERIAL:
 FOR HIGH-TEMPERATURE APPLICATIONS, SPECIFY AN "H" AT THE END OF THE PART NUMBER, AND PCT WILL BE SUPPLIED.
 NUMBER OF POSITION:
 ANY NUMBER OF POSITIONS FROM 2 THRU 36.
 PACKAGING:
 PACKAGED IN POLY BAGS.
 EIGHT DIGIT PART NUMBERS FOLLOWED BY A "T" ARE PACKAGED IN TUBES. SEE SPECIFIC PART NUMBERS FOR AVAILABILITY.
 EIGHT DIGIT PART NUMBERS FOLLOWED BY A "A" ARE PACKAGED IN TAPE AND REEL WITH PICKUP CAPS.
 LEAD FREE:
 ADD "HLF" SUFFIX AT THE END OF PART NUMBER FOR LEAD FREE OPTION, NOT AVAILABLE FOR -5YY,-5YYH,-6YY & -6YYH.

- BODY MATERIAL:
 MANUFACTURER'S OPTION OF NYLON OR PCT, GLASS FIBER REINFORCED, FLAME RETARDENT PER UL-94V-0.
 COLOR: BLACK. OR
 MINERAL FILLED LCP, COLOR BLACK
 FLAME RETARDENT PER UL-94V-0.
 PART NUMBERS WITH "H" SUFFIX WILL WITHSTAND EXPOSURE TO 260°C PEAK TEMPERATURE FOR 20 SECONDS IN WAVE SOLDER, INFRA-RED OR VAPOR PHASE SOLDER PROCESS.
 PART NUMBERS WITHOUT "H" SUFFIX WILL WITHSTAND EXPOSURE TO 260°C PEAK TEMPERATURE FOR WAVE SOLDER PROCESS.

- PIN MATERIAL: PHOS-BRONZE.
- MEASURED WITH PART IN RESTRAINED CONDITION.
- TWO SIDES OF PIN TIPS NOT PLATED. TYPICAL BOTH ENDS.
- 2LBS/0.9KG MIN PIN RETENTION IN EITHER DIRECTION.
- ±.010/0.25 TOL APPLIES TO ALL 'G' TAILS EXCEPT INDICATED PARTS ON TABLE WHERE +.010/0.25 -.000/0.00 APPLIES.
- DETAIL N DIMENSIONS APPLY TO 2 POSITION PARTS ONLY
- SECTION R-R DIMENSIONS ONLY APPLY TO RETENTION. PIN POSITIONS FOR 3 POSITION PARTS AND LARGER. RETENTION PIN POSITIONS LOCATED AT MANUFACTURER'S OPTION.
- 5LB/2.3KG MAX INSERTION FORCE AND .25LB/.1KG MIN RETENTION FORCE PER RETENTIVE PIN USING .062/1.57 THICK CIRCUIT BOARDS AND RECOMMENDED HOLE PATTERN.
- THESE PRODUCTS MEETS EUROPEAN UNION DIRECTIVES AND OTHER COUNTRY REGULATION AS DESCRIBED IN GS-22-008.
- PLATING OPTIONS:
 PERFORMANCE PLATING WILL BE EITHER GOLD OR GXT ON POST OR TAIL, OPTIONALLY (78~295u"/2~7.5u) TIN ON TAIL.
- "THIS PRODUCT HAS 100% TIN PLATING IN THE INTERFACE AND HAS NOT BEEN TESTED FOR WHISKER GROWTH IN ALL INTERCONNECT ENVIRONMENTS."

| | | | | | |
|-------------|----------------|-----------------------|----------------------------------|---|---|
| mat'l. code | | surface ISO 1302 ✓ | tolerance ISO 406 ISO 1101 | projection | product family BERGSTIK |
| ltr | ecn no | dr | date | tolerances unless otherwise specified | title |
| AM | | | | angles linear XX101/XX10.3 XXX1005/XXX10.13 XXX10020/XXX10.051 | BERGSTIK II HEADER .100/2.54 SR SELF-RET |
| | | | | 0°±2' | INCH/MM scale 1:1 |
| | | dr | D. WHITING | 4/19/93 | dwg no sheet 2 of 4 size |
| | | enr | T.HANNA | 4/19/93 | 69190 A3 |
| | | chr | T. BREWBAKER | 4/19/93 | |
| | | appd | T.HANNA | 4/19/93 | type Product Customer Drawing |
| sheet index | revision sheet | | | | |

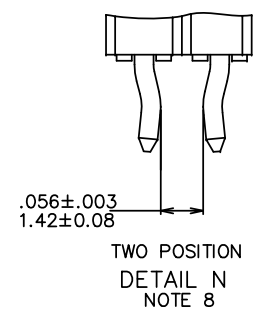
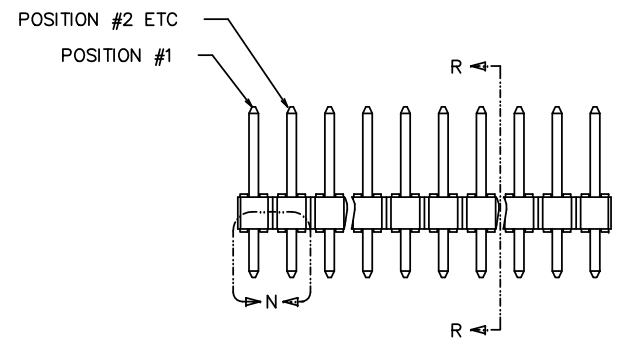
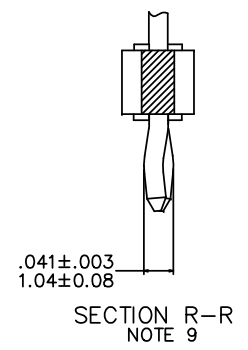
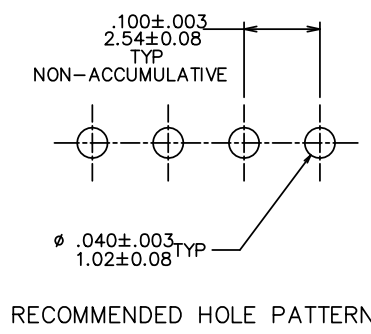
1

2 3

4

5

6



B

FCIconnect.com

C

Copyright FCI

| | | | | | | | | | |
|-------------|----------------|-----------------------|------|----------------------------------|---------|---------------------------------------|--|-------------------------------|--|
| mat'l. code | | surface ISO 1302 ✓ | | tolerance ISO 406 ISO 1101 | | projection INCH/MM | | product family BERGSTIK | |
| ltr | ecn | no | dr | date | | tolerances unless otherwise specified | | title | |
| AM | | | | | | angles | linear | .100/2.54 SR SELF-RET | |
| | | | | | | 0°±2° | .XX±01/XX±0.3 .XXX±005/XXX±0.13 .XXXX±0020/XXX±0.051 | scale 1:1 | |
| | | | dr | D. WHITING | 4/19/93 | | | FCI | |
| | | | enr | T.HANNA | 4/19/93 | | | dwg no sheet 3 of 4 size | |
| | | | chr | T. BREWBAKER | 4/19/93 | | | 69190 A3 | |
| | | | appd | T.HANNA | 4/19/93 | | | type Product Customer Drawing | |
| sheet index | revision sheet | | | | | | | | |

| PRODUCT NUMBER | TOTAL PIN LENGTH | | TAIL LENGTH | | MATING LENGTH | | PACKAGING | NOTE | LF OPTION |
|----------------|-----------------------|--------|-------------|--------|---------------|--------|-----------------|------|---------------------|
| | DIM F | DIM F | DIM G | DIM G | DIM H | DIM H | | | |
| | ENGLISH | METRIC | ENGLISH | METRIC | ENGLISH | METRIC | | | |
| 69190-YYY | 0.450 | 11.43 | 0.120 | 3.05 | 0.230 | 5.84 | POLY BAGS/TUBES | - | NOTE 1,11 ↑ ↓ |
| 72348-XYH | 0.515 | 13.08 | 0.120 | 3.05 | 0.295 | 7.49 | POLY BAGS | - | |
| 78229-YYY | 0.538 | 13.67 | 0.120 | 3.05 | 0.318 | 8.08 | POLY BAGS/TUBES | - | |
| 78250-YYY | U N A V A I L A B L E | | | | | | | - | |
| 78538-YYY | 0.620 | 15.75 | 0.120 | 3.05 | 0.400 | 10.16 | POLY BAGS | - | |
| 78594-YYY | 0.760 | 19.30 | 0.120 | 3.05 | 0.540 | 13.72 | POLY BAGS | - | |
| 79429-YYY | 0.695 | 17.65 | 0.120 | 3.05 | 0.475 | 12.07 | POLY BAGS | - | |
| 79978-YYY | 0.450 | 11.43 | 0.120 | 3.05 | 0.230 | 5.84 | POLY BAGS/TUBES | 7 | |
| 86505-YYY | 0.440 | 11.18 | 0.120 | 3.05 | 0.220 | 5.59 | POLY BAGS | - | |
| 87036-YYY | 0.830 | 21.08 | 0.120 | 3.05 | 0.610 | 15.49 | POLY BAGS | - | |
| 87068-YYY | 0.530 | 13.46 | 0.115 | 2.92 | 0.315 | 8.00 | POLY BAGS | - | |
| 87280-YYY | 1.000 | 25.40 | 0.120 | 3.05 | 0.780 | 19.81 | POLY BAGS | - | |
| 87452-YYY | 0.840 | 21.34 | 0.120 | 3.05 | 0.620 | 15.75 | POLY BAGS | - | |
| 87453-YYY | 0.990 | 25.15 | 0.120 | 3.05 | 0.770 | 19.56 | POLY BAGS | - | |
| 87918-YYY | 0.730 | 18.54 | 0.120 | 3.05 | 0.510 | 12.95 | POLY BAGS | - | |
| 90603-YYY | 0.430 | 10.92 | 0.100 | 2.54 | 0.230 | 5.84 | POLY BAGS | - | |
| 90610-YYY | 0.927 | 23.55 | 0.100 | 2.54 | 0.727 | 18.47 | POLY BAGS | - | |
| 94549-XYH | 0.415 | 10.54 | 0.085 | 2.16 | 0.230 | 5.84 | POLY BAGS | - | |
| 69190-XY001HLF | 0.425 | 10.80 | 0.095 | 2.41 | 0.230 | 5.84 | POLY BAGS | - | |

NOTE 1,11
↑
↓
NOTE 1,11

A

B

C

D

A

B

C

D



Copyright FCI

| | | | | | | | | | |
|-------------|----------------|-----------------------|------|---------------------------------------|--------------|----------------|--|---|--|
| mat'l. code | | surface ISO 1302 ✓ | | tolerance ISO 406 ISO 1101 | | projection | | product family BERGSTIK | |
| ltr | ecn no | dr | date | tolerances unless otherwise specified | | INCH/MM | | title | |
| AM | | | | angles | linear | scale 1:1 | | BERGSTIK II HEADER .100/2.54 SR SELF-RET | |
| | | | | 0°±2' | | | | dwg no 69190 sheet 4 of 4 size A3 | |
| | | | | dr | D. WHITING | 4/19/93 | | type Product Customer Drawing | |
| | | | | enr | T.HANNA | 4/19/93 | | | |
| | | | | chr | T. BREWBAKER | 4/19/93 | | | |
| | | | | appd | T.HANNA | 4/19/93 | | | |
| sheet index | revision sheet | | | | | | | | |