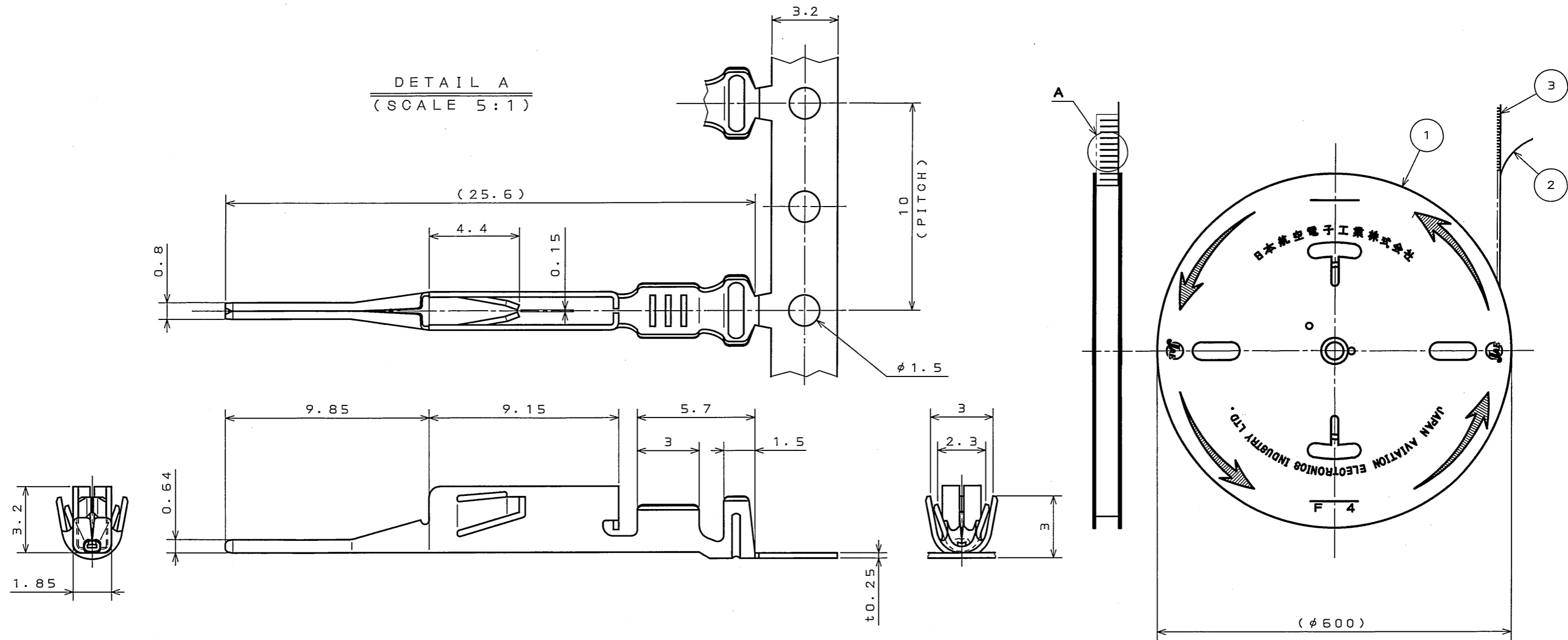


SJ025954  
(DRAWING NO.)

| 版数<br>REV. | 年月日<br>DATE | DCN NO. | 変更内容<br>DESCRIPTION         | 製図<br>DR. | 担当<br>CHK. | 査閲<br>APPD.      | 承認<br>APPD.        |
|------------|-------------|---------|-----------------------------|-----------|------------|------------------|--------------------|
| 2          | 11.Jan.2000 | 45397   | CHANGE TO BILINGUAL DRAWING |           | T.NAKAYA   | A.SAKAI          | Y.ICHIYAMA         |
| 3          | 8.Sep.2003  | 053208  | ADDED NOTE etc.             | M.TANAKA  | S.HARA     | <i>T. Nakaya</i> | <i>Y. Ichiyama</i> |

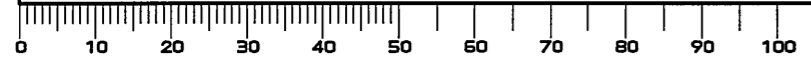
DETAIL A  
(SCALE 5:1)



NOTE 1. APPLICABLE WIRES SHALL BE AWG#22 TO #18 (0.33 TO 0.82mm<sup>2</sup>) AND INSULATION OUTER DIAMETER SHALL BE  $\phi 1.4$ mm AND MORE TO  $\phi 2.4$ mm AND LESS.  
 △ 2. REFER TO "JAHL-1309-5" FOR COMPLETE CRIMP AND WIRE SPECIFICATIONS.  
 注 1. 使用電線は、AWG #22~#18 (0.33~0.82mm<sup>2</sup>) 相当、被覆外径  $\phi 1.4$ ~ $\phi 2.4$  の撚線とする。  
 △ 2. 圧着状態、適用電線については "JAHL-1309-5" を参照のこと。

| 3                        | PIN CONTACT       | 5000                | MSP1            | TIN PLATING                             |                |
|--------------------------|-------------------|---------------------|-----------------|---|----------------|
| 2                        | TAPE              | 1                   | PAPER           |   |                |
| 1                        | MAGAZINE          | 1                   | PAPER           |   |                |
| 符号<br>NO.                | 名称<br>DESCRIPTION | 個数<br>QTY.          | 材 料<br>MATERIAL | 仕 上<br>FINISH                           | 備 考<br>REMARKS |
| 仕様書 (SPECIFICATION)      |                   | 第1版 (ORIGINAL DATE) |                 | 尺 寸 (SCALE)                             |                |
| JACS-1309-5 △            |                   | 6.Feb.1992          |                 | 1:5 △                                   |                |
| 一般公差 (GENERAL TOLERANCE) |                   | 製 図<br>DR.          |                 | 名 称 (TITLE)                             |                |
| 寸法 (DIMENSION)           |                   | 担 当<br>CHK.         |                 | IL-A05-PC1-5000                         |                |
| 角度 (ANGLES)              |                   | 査 閲<br>APPD.        |                 | MAGAZINE ASSEMBLY                       |                |
| . ±0.3                   |                   | 承認<br>APPD.         |                 | 重量 (WEIGHT)                             |                |
| .X ±0.3                  |                   | K.MURAYAMA          |                 | 日本航空電子工業株式会社                            |                |
| .XX ±0.2                 |                   |                     |                 | JAE AVIATION ELECTRONICS INDUSTRY, LTD. |                |
| .XXX ±                   |                   |                     |                 | 図面番号 (DRAWING NO.)                      |                |
|                          |                   |                     |                 | SJ025954                                |                |
|                          |                   |                     |                 | 版数 (REV.)                               |                |
|                          |                   |                     |                 | 3                                       |                |

DOF-0-212E(03.08)



# Mouser Electronics

Authorized Distributor

Click to View Pricing, Inventory, Delivery & Lifecycle Information:

[JAE Electronics:](#)

[IL-AG5-PC1-5000](#)