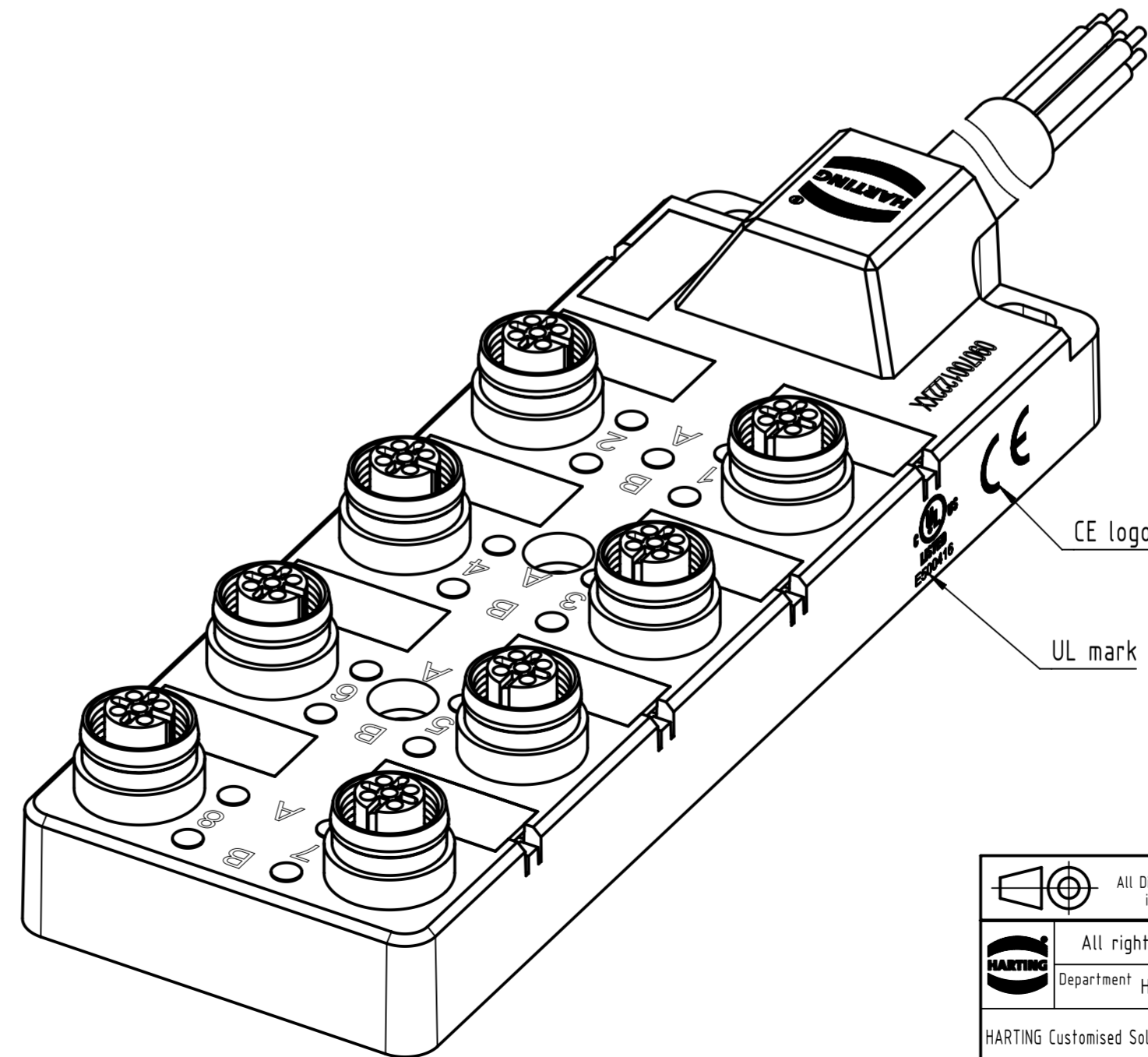
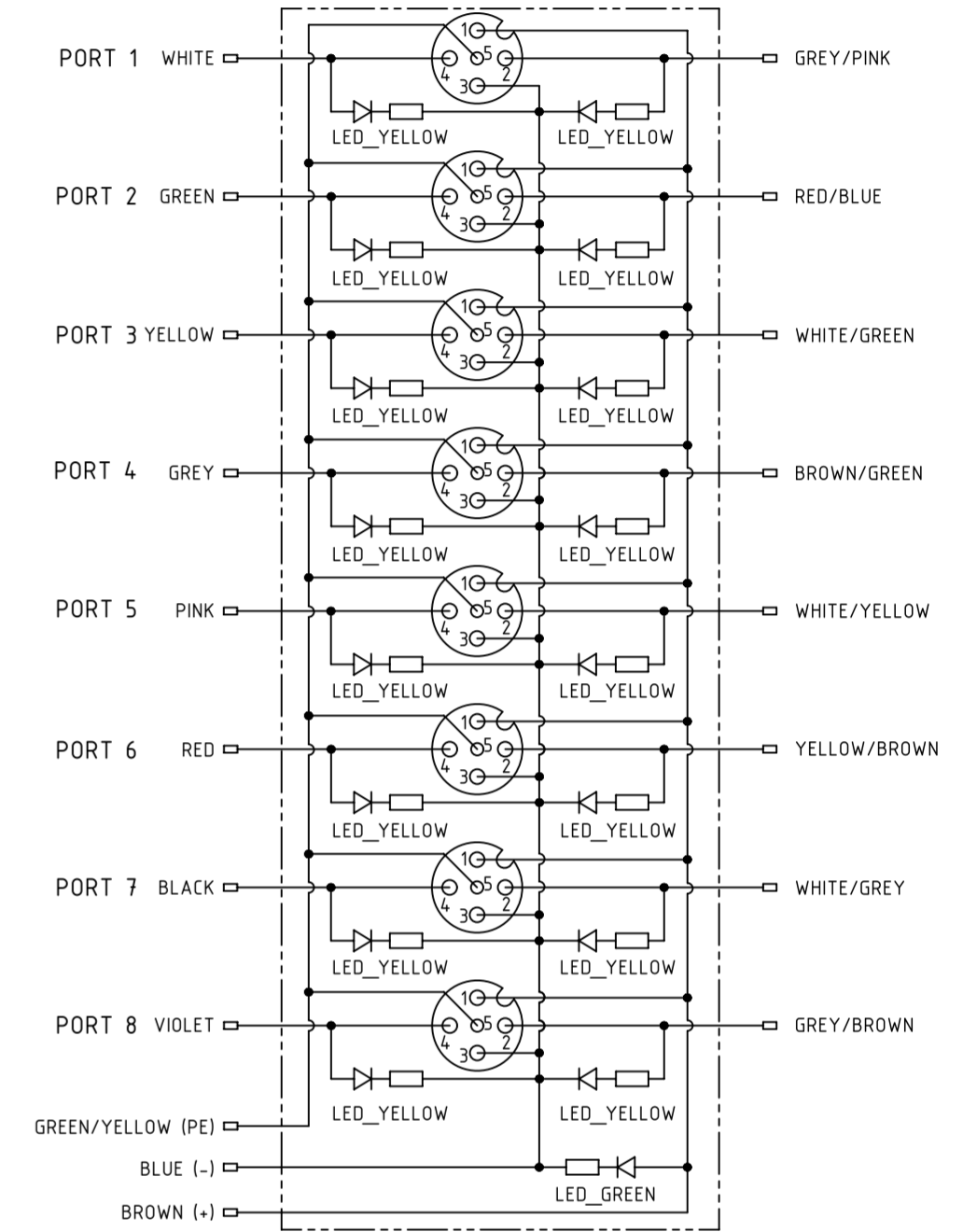


Loading plan



CE logo

UL mark

- Protection level: IP67
- Temperature range: -30°C ... +80°C

10	090700122250	PVC, 3xAWG 18 + 16xAWG 22, black	10
9	090700122255		7.5
8	090700122251		5
7	090700122254		3
6	090700122253	PUR, 3xAWG 18 + 16xAWG 22, black	2
5	090700122200		10
4	090700122205		7.5
3	090700122201		5
2	090700122204		3
1	090700122203		2
Cont. no	HARTING part no.	Type of cable	Dim. a[m]

All Dimensions in mm		Tech. Character.		Free size tol.		According to production drawing	
All rights reserved		Created by	Inspected by	Standardisation	Date	State	
Department HCS - RO		BANCIUD Banciu	COSTEA Costea	MUNTEANV Muntean	2020-04-15	Final Release	
HARTING Customised Solutions		Title har-SAB M12/8/5p PAC				Doc-Key / ECM-Nr. 10068954/UGD/000/J 50000171068	
D-32339 Espelkamp		Type TB	Number 0907001222XX		Rev. J	Page 1/1	