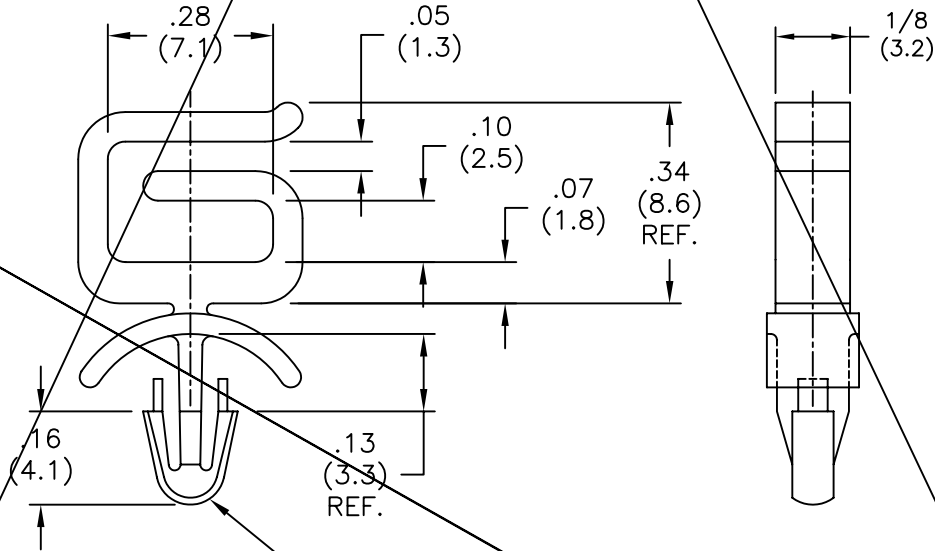


PAR

SA-2-01

MOFNSA-2-19

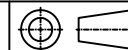


TO SNAP-LOCK IN A $.125 \pm .002$
 (3.18 ± 0.05) DIA. HOLE,
 IN A $.093 (2.36)$ NOM. THICK PANEL.

NOTES:

- 1 MATERIAL NYI

TITLE: MINI OPTICAL FIBER NETWORK SADDLE, ARROWHEAD



DWG IN IN. (MM)



FINAL

TOLERANCES UNLESS NOTED
 .XX=.010
 .XXX=.005
 FRAC=1/64
 ANG=1°

FILE # MOFNSA-2
 MAT'L: SEE NOTES
 RE: RICHCO, INC.

DWN: S.M
 DT: 11/09/00
 APP:
 DT:
 RICHCO INC.
 PO BOX 804238, CHICAGO, 60680
 (773) 539-4060

PART #
 MOFNSA-2-01

PRINT TYPE
 CA

REV	DESCRIPTION	ENGR	DATE