

61083-AA B C D E G W V F F

AA	NO. OF POSITIONS
02	2X10
04	2X20
06	2X30
08	2X40
10	2X50
12	2X60
14	2X70
16	2X80
18	2X90
20	2X100

NOTE 10

G	DATE CODE
/	STANDARD, NOT PRINT D/C
P	PRINT DATE CODE

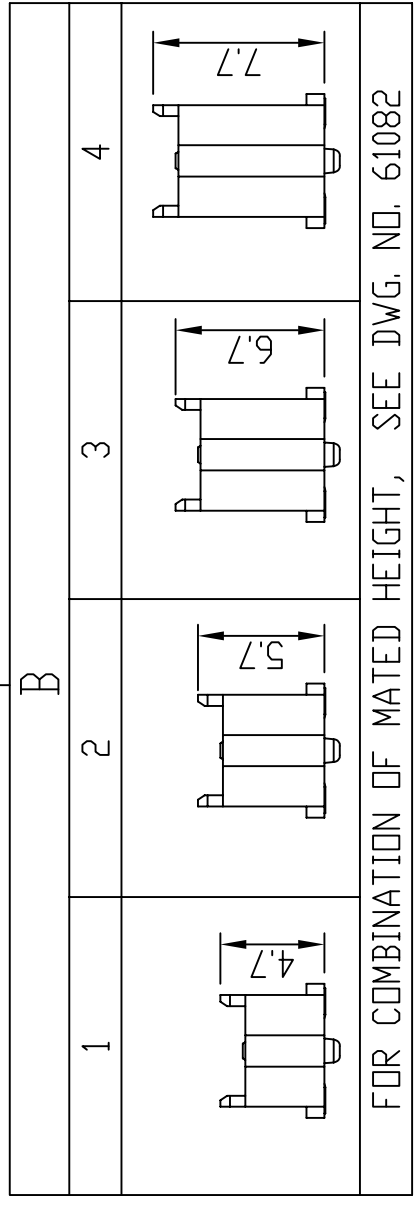
W	TRANSPORT CODE
/	NOT MANDATORY
W	FOR OCEAN SHIPPING

V	MANDATORY CODE
/	STANDARD, NOT MANDATORY P/N
V	ONLY FOR DEDICATED CUSTOMER
H	ONLY FOR DEDICATED CUSTOMER
L	ONLY FOR DEDICATED CUSTOMER

E	PACKAGING
0	TUBE WITHOUT METAL CAP
2	T&R WITH METAL CAP
9	TUBE WITH METAL CAP
6	T&R WITH KAPTON TAPE
7	T&R WITH PLASTIC CAP
Q	T&R WITHOUTL CAP

NOTE 10
NOTE 10
NOTE 11
NOTE 10

D	PEG
0	YES
2	NO



NOTE:

- MATERIAL:
HOUSING: G.F. LCP, NATURAL, UL94-V0
TERMINAL: BRASS
- PLATING: AS SHOWN IN TABLE NICKEL UNDERPLATE OVERALL 1.27um MIN.
- SEE GS-12-547 FOR PRODUCT SPEC.
- PACKAGING OPTION 2: NOT ALL SIZES ARE AVAILABLE, CHECK WITH FACTORY.
- THIS PRODUCT MEETS THE EUROPEAN UNION DIRECTIVES AND OTHER COUNTRY REGULATIONS AS DESCRIBED IN GS-22-008.
- THE HOUSING WILL WITHSTAND EXPOSURE UP TO 260~ PEAK TEMPERATURE FOR 30 SECONDS IN A CONVECTION, INFRA-RED OR VAPOR PHASE REFLOW OVEN.
- PLATING OPTION "4" IS LEADFREE ALTERNATIVE FOR OPTION "D", AND OPTION "6" IS LEADFREE ALTERNATIVE FOR OPTION "1".
- HIGH PRECISION COPLANARITY IS AVAILABLE FOR 2X80 TO 2X100 POS, ALL HEIGHTS. PLS REFER TO PRINT 10069525.
- THE P/N 61083-***** OR 61083-*****LF NOT PRINT DATE CODE.
THE P/N 61083-*****P OR 61083-*****PLF NEED PRINT DATE CODE.
- POSITION 2X10 TYPE ONLY APPLY TO PLUG 1 AND PLUG 3.
PACKAGING WITH METAL CAP AND PLASTIC CAP DOES NOT APPLY TO 2X10 POSITION.
KAPTON TAPE ONLY APPLY TO POSITION 2X10~2X20.

C	PLATING ON CONTACT AREA / ON SOLDER TAIL AREA	FF
0	GOLD 0.2um MIN ON CONTACT AREA / TIN LEAD 2.5um MIN ON SOLDER TAIL	NONE
1	GOLD FLASH (0.065um MIN) OVER PALLADIUM-NICKEL 0.69um MIN ON CONTACT AREA / TIN LEAD 2.5um MIN ON SOLDER TAIL	NONE
4	GOLD 0.2um MIN ON CONTACT AREA / MATT TIN 2.5um MIN ON SOLDER TAIL	LF
5	GOLD 0.38um MIN ON CONTACT AREA / MATT TIN 2.5um MIN ON SOLDER TAIL	LF
6	GOLD FLASH 0.065um MIN OVER PALLADIUM-NICKEL 0.69um MIN ON CONTACT AREA / MATT TIN 2.5um MIN ON SOLDER TAIL	LF
7	GOLD 0.76um MIN ON CONTACT AREA / MATT TIN 2.5um MIN ON SOLDER TAIL	LF
9	GOLD 0.2um MIN ON CONTACT AREA / GOLD 0.05um MIN ON SOLDER TAIL	LF
B	GOLD 1.27um MIN ON CONTACT AREA / GOLD 0.05~0.25um ON SOLDER TAIL	LF
C	GOLD 1.27um MIN ON CONTACT AREA / MATT TIN 2.5um MIN ON SOLDER TAIL	LF
D	GOLD 0.38um MIN ON CONTACT AREA / GOLD FLASH ON SOLDER TAIL	LF

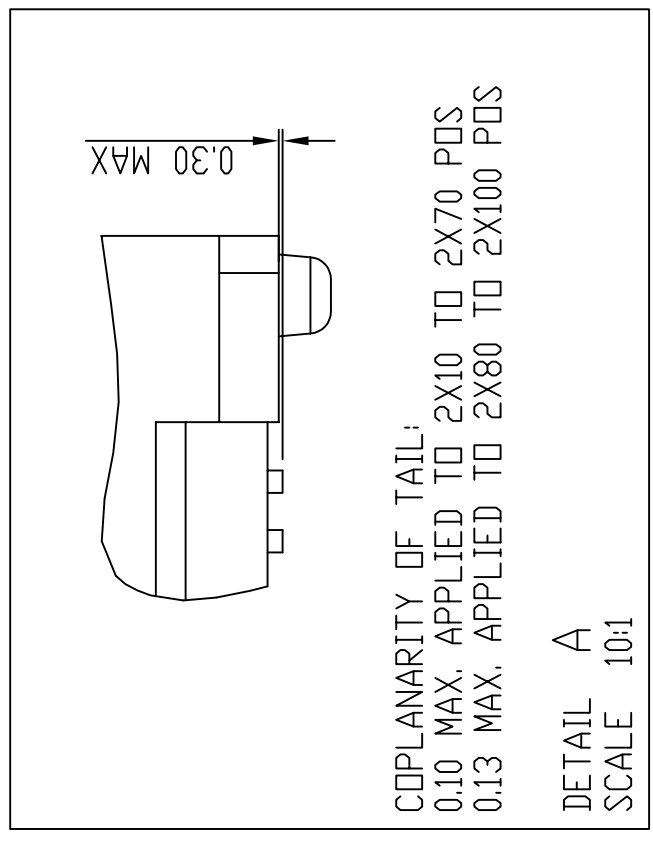
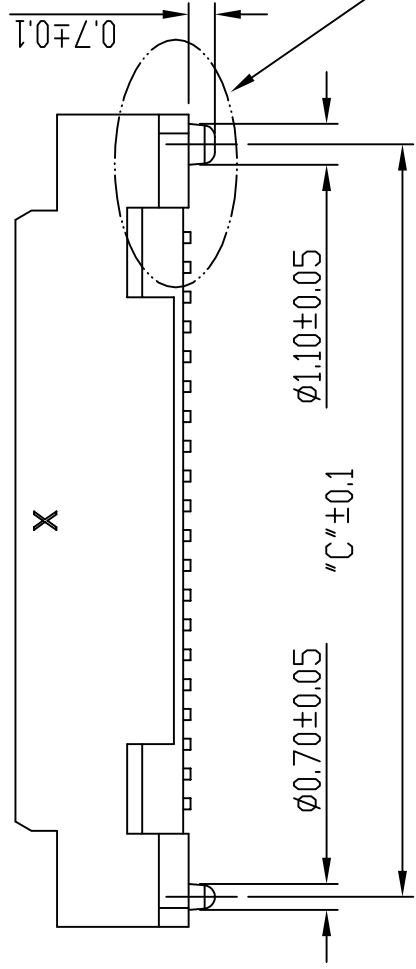
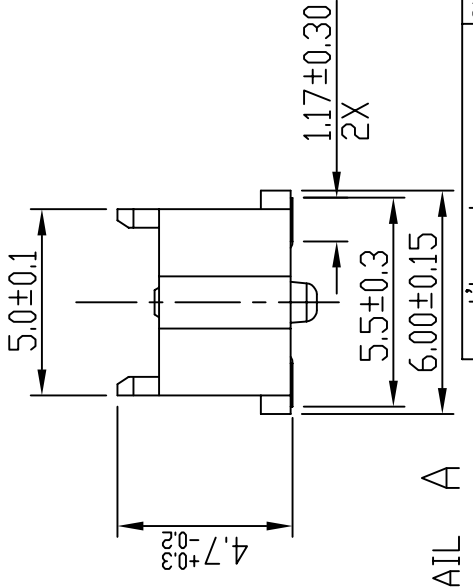
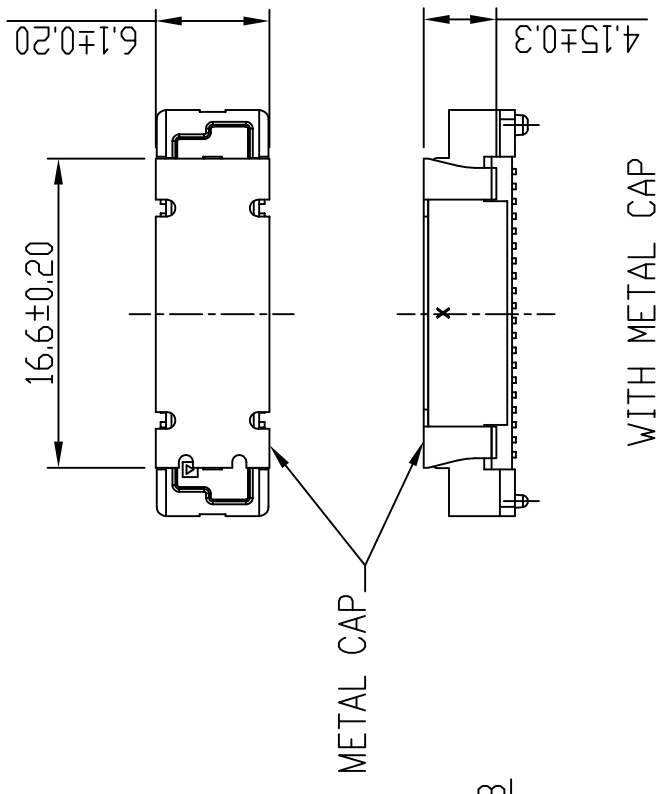
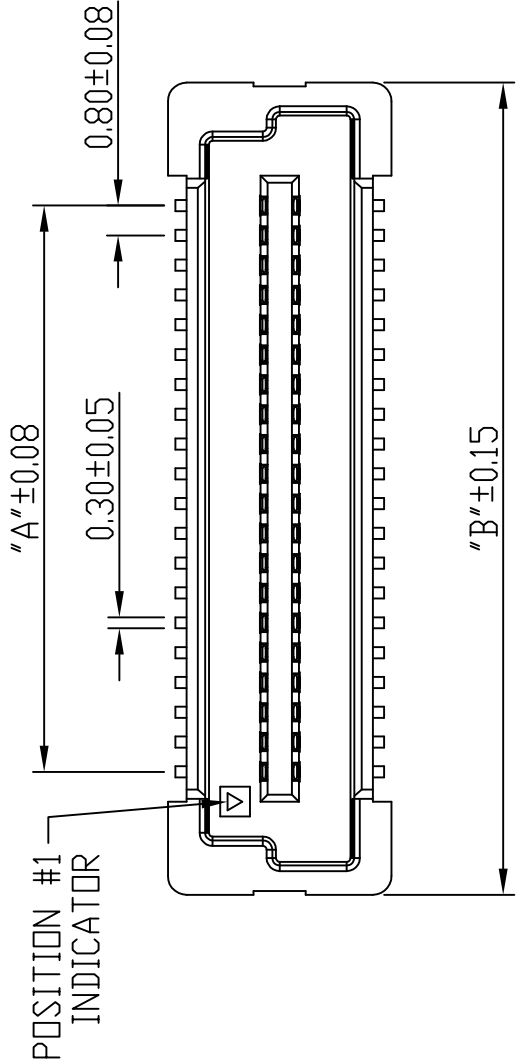
mat'l. code		surface	tolerance	projection	product family
ISO 1302	ISO 406	ISO 1104	ISO 1104	ISO 1104	BERGSTAK HPL545
ecn no	dr	date	tolerances unless otherwise specified	angles	linear
AP ELX-N-33922	Bob	2019-07-05	.0±.2	mm	mm
AR ELX-N-34967	Bob	2019-09-26	.00±.15	scale 1:1	
AS ELX-N-35593	Bob	2020-01-10	.000±.10		
AT ELX-N-37512	Bob	2020-06-28			
	dr	GuoMin Sun	2014-10-21		
	eng	Bob Gu	2020-06-28		
AM ELX-N-30296	Bob	2018-05-28			
AN ELX-N-30741	Bob	2018-11-22			
sheet revision	AL	AM	AN	AR	AS
index	sheet	1~6	1~6	1	1

PLUG ASSY
BERGSTAK 0.8MM

dwg no 61083
sheet 1 of 6 size A3
type Product Customer Drawing

1 2 3 4 5 6

PRODUCT NO.	NO. OF POSITION	DIMENSION		
		A	B	C
61083-021***	2X10	7.2	13.8	12.2
61083-041***	2X20	15.2	21.8	20.2
61083-061***	2X30	23.2	29.8	28.2
61083-081***	2X40	31.2	37.8	36.2
61083-101***	2X50	39.2	45.8	44.2
61083-121***	2X60	47.2	53.8	52.2
61083-141***	2X70	55.2	61.8	60.2
61083-161***	2X80	63.2	69.8	68.2
61083-181***	2X90	71.2	77.8	76.2
61083-201***	2X100	79.2	85.8	84.2



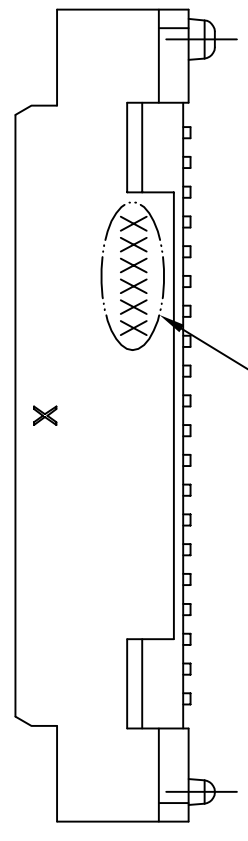
DATE CODE: XXXXXX

DAY(01~31)

MONTH(01~12)

YEAR(00~99)

DETAIL AA



SEE DETAIL AA

PLUG 1

mat'l. code		surface	tolerance	projection	product family
ISO 1302	ISO 406	ISO 1101	ISO 1101	ISO 1101	BERGSTAK HPL545
itr	ecn no	date	tolerances unless otherwise specified	angles	title
AT			.0±.2	linear	PLUG ASSY
			.00±.15	0°±3°	BERGSTAK 0.8MM
			.000±.10	mm	
				scale 1:1	
				dr	GuoMin Sun
				eng	Bob Gu
				chr	LQ Lei
				appd	Tim Yao
sheet	revision	AT			
index	sheet	1			

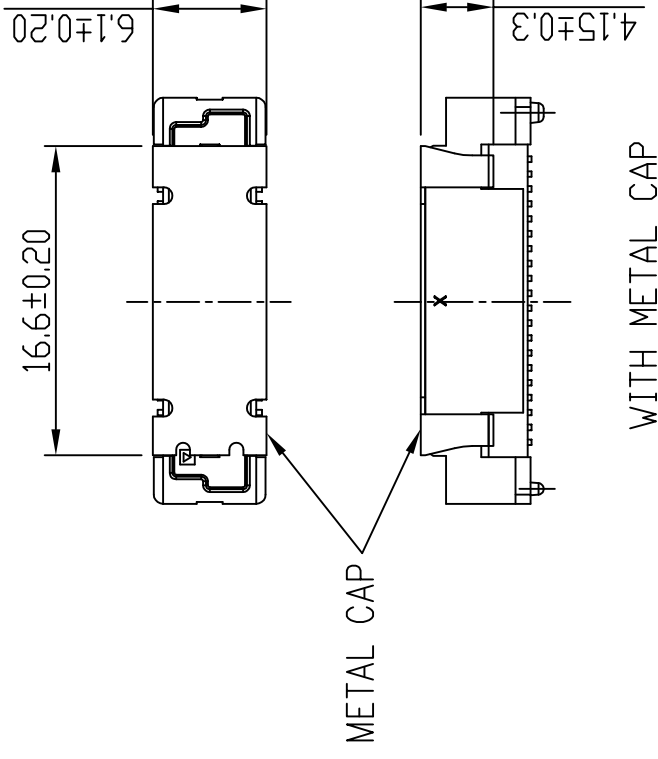
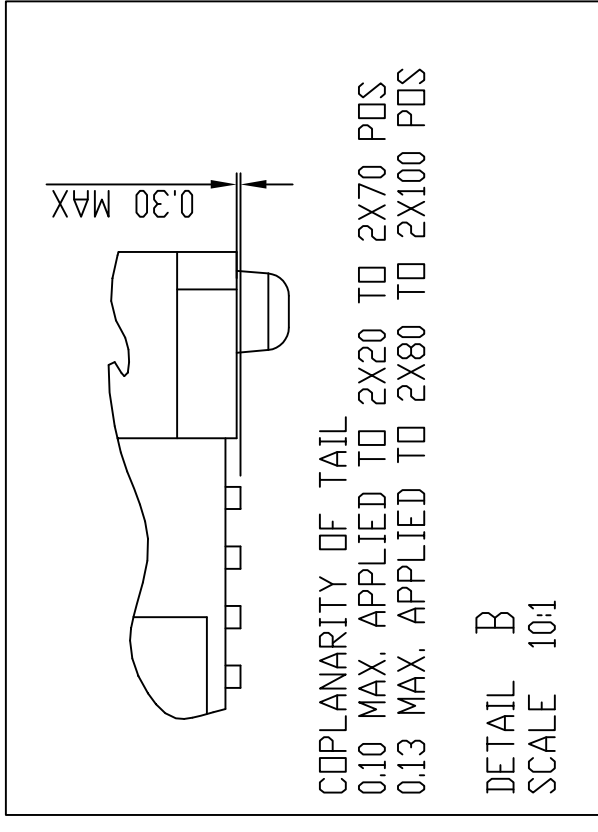
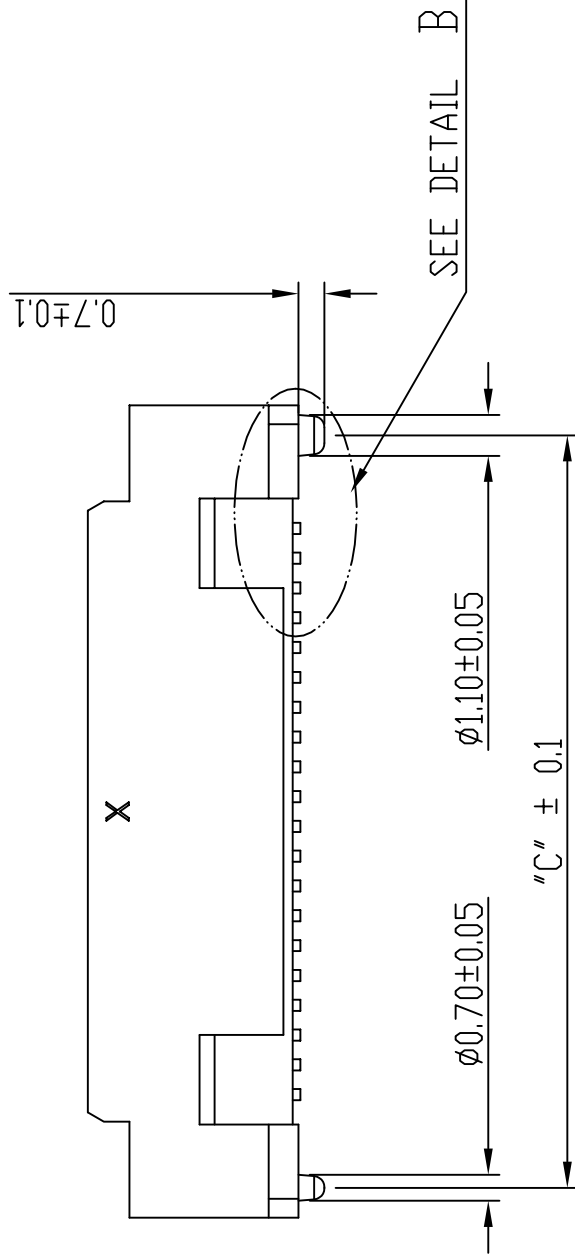
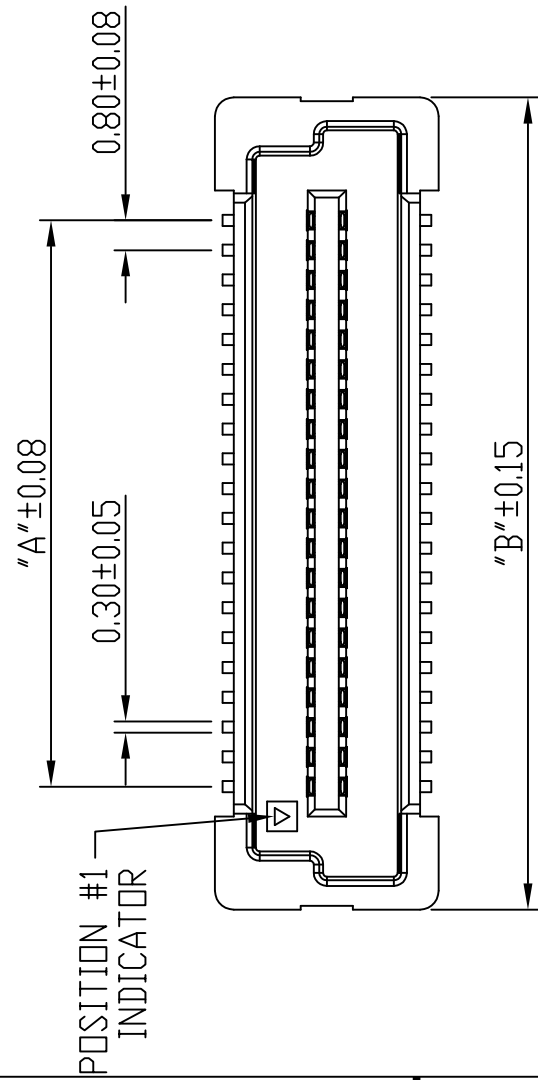
dwg no 61083

sheet2 of 6 size A3

type Product Customer Drawing

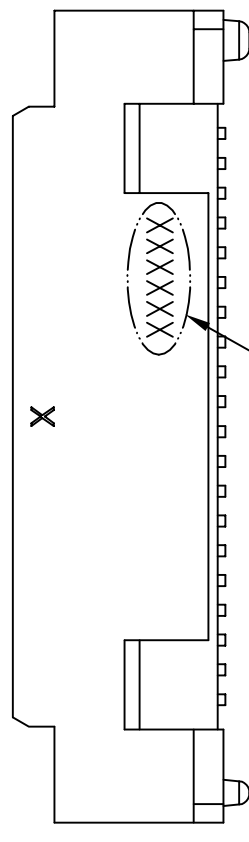
1 | 2 | 3 | 4 | 5 | 6

PRODUCT NO.	NO. OF POSITION	DIMENSION		
		A	B	C
61083-042***	2X20	15.2	21.8	20.2
61083-062***	2X30	23.2	29.8	28.2
61083-082***	2X40	31.2	37.8	36.2
61083-102***	2X50	39.2	45.8	44.2
61083-122***	2X60	47.2	53.8	52.2
61083-142***	2X70	55.2	61.8	60.2
61083-162***	2X80	63.2	69.8	68.2
61083-182***	2X90	71.2	77.8	76.2
61083-202***	2X100	79.2	85.8	84.2



DATE CODE: XXXXXX
 DAY(01~31)
 MONTH(01~12)
 YEAR(00~99)

DETAIL BB



PLUG 2

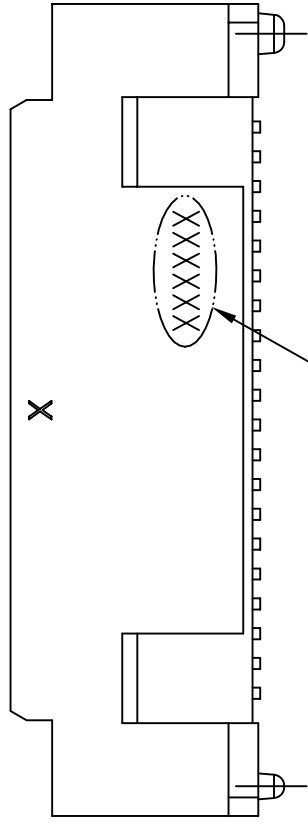
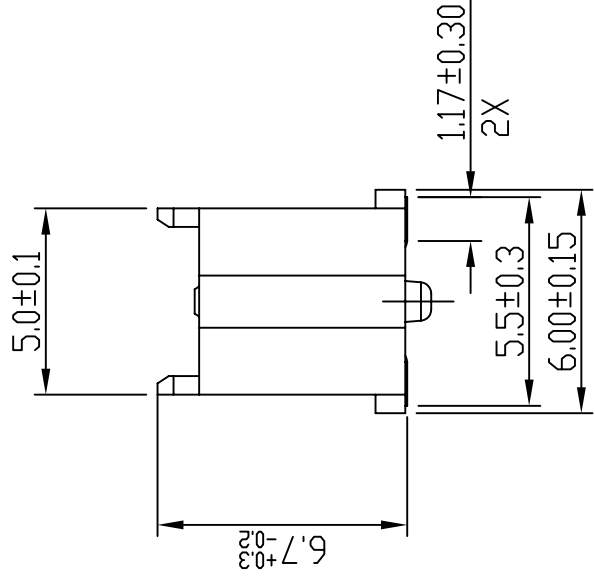
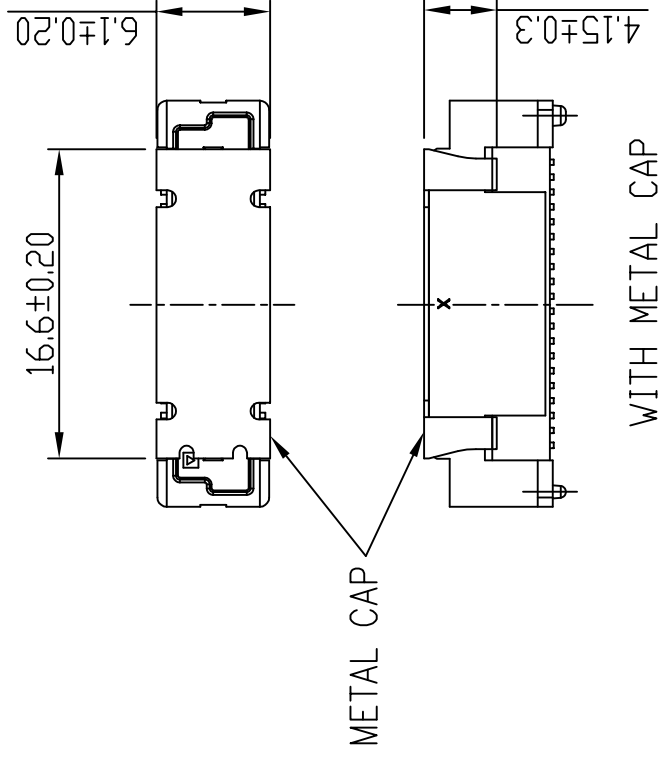
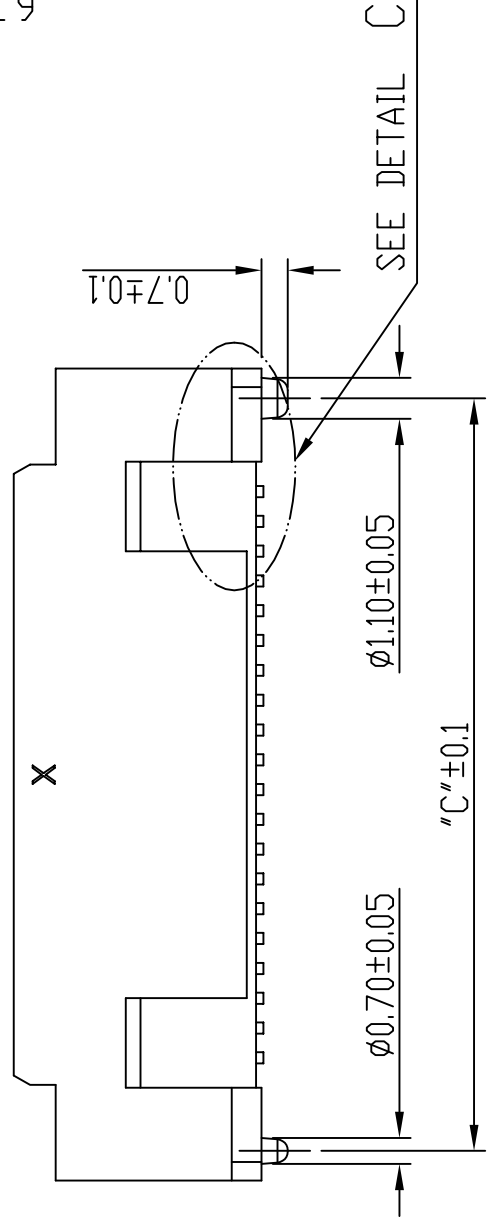
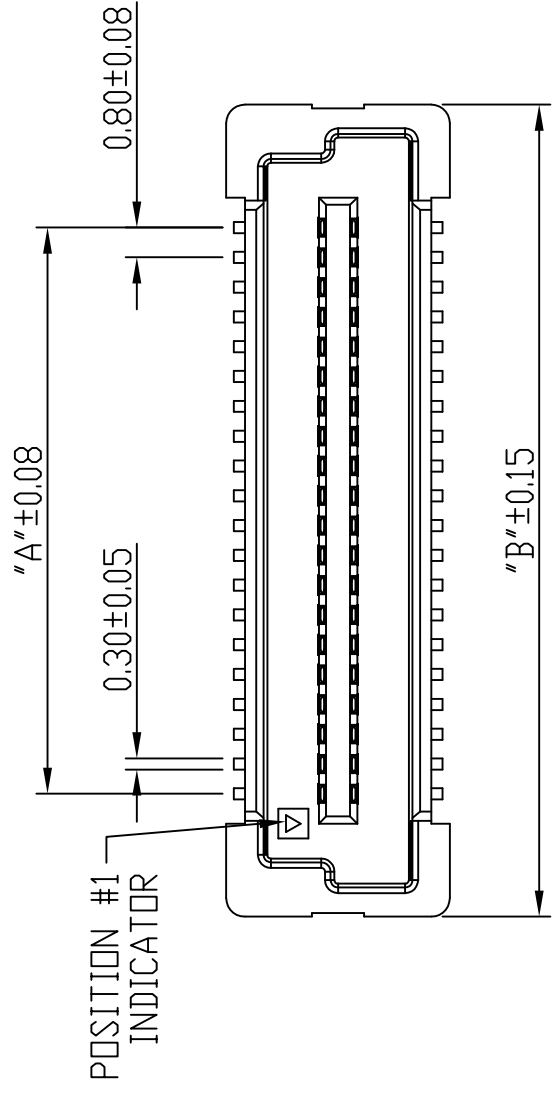
mat'l. code		surface	tolerance	projection	product family
itr	ecn no dr	ISO 1302	ISO 406	ISO 1101	BERGSTAK HPL545
AT		tolerances unless otherwise specified			
	date	angles	linear	mm	
		0°±3'	.0±.2	scale 1:1	
			.00±.15		
			.000±.10		
	dr	GuoMin Sun	2014-10-21		dwg no
	eng	Bob Gu	2020-06-28		sheet 3 of 6 size
	chr	LQ Lei	2020-06-28		A3
	appd	Tim Yao	2020-06-28		61083
sheet index	revision				type
	AT				Product Customer Drawing
sheet 1					

PLUG ASSY
 BERGSTAK 0.8MM

Amphenol FCI

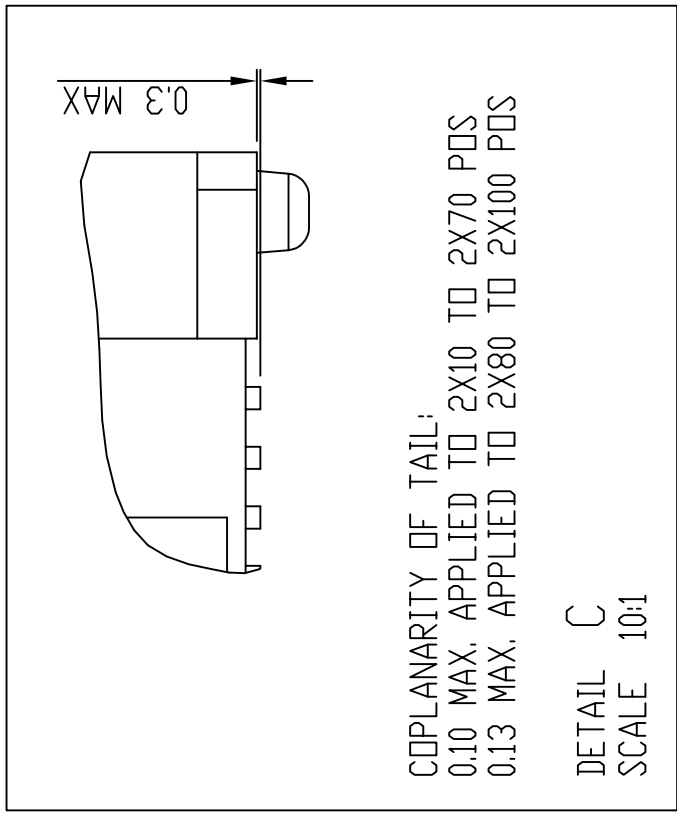
1 | 2 | 3 | 4 | 5 | 6

PRODUCT NO.	NO. OF POSITION	DIMENSION		
		A	B	C
61083-023***	2X10	7.2	13.8	12.2
61083-043***	2X20	15.2	21.8	20.2
61083-063***	2X30	23.2	29.8	28.2
61083-083***	2X40	31.2	37.8	36.2
61083-103***	2X50	39.2	45.8	44.2
61083-123***	2X60	47.2	53.8	52.2
61083-143***	2X70	55.2	61.8	60.2
61083-163***	2X80	63.2	69.8	68.2
61083-183***	2X90	71.2	77.8	76.2
61083-203***	2X100	79.2	85.8	84.2



SEE DETAIL CC

PLUG 3



DATE CODE: XXXXXX

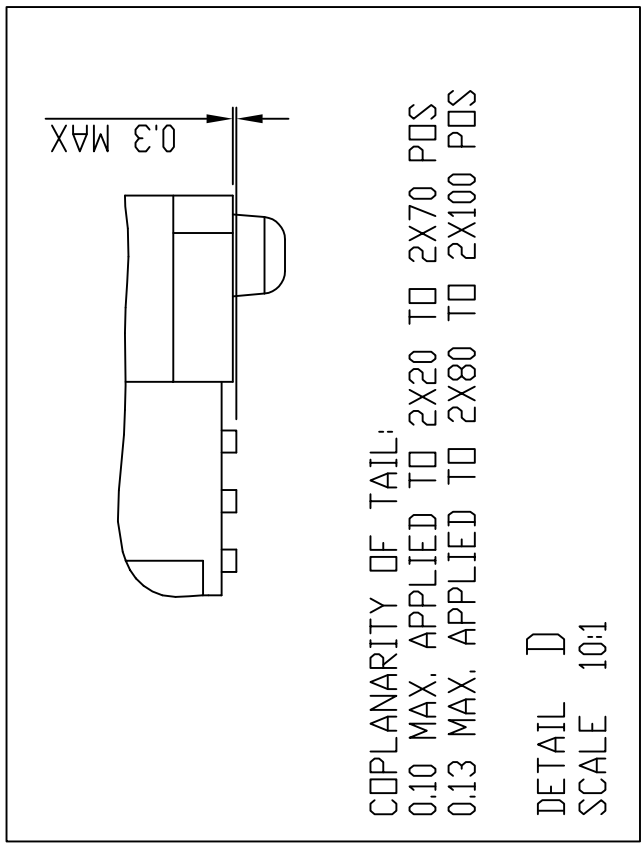
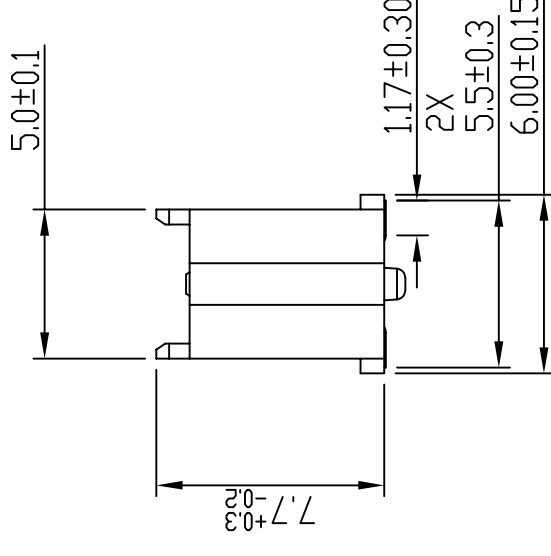
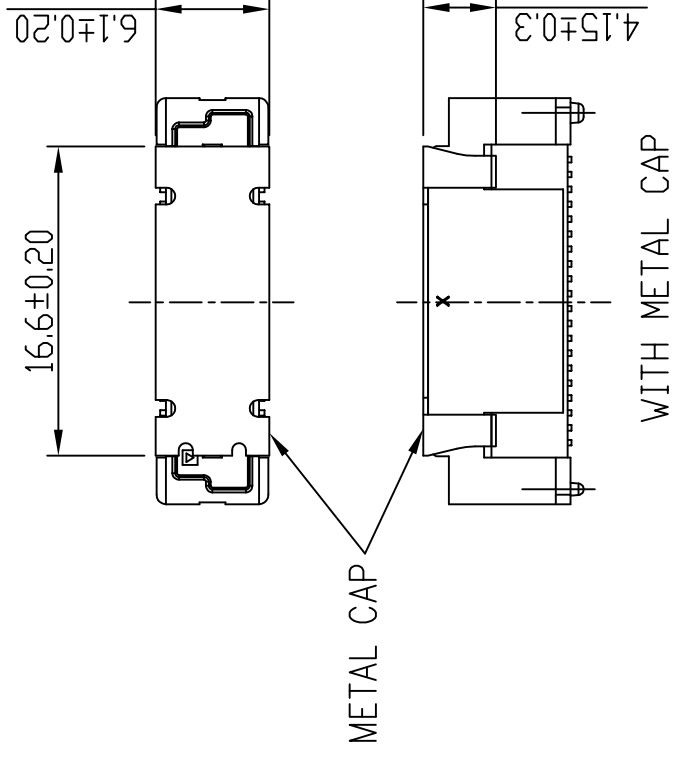
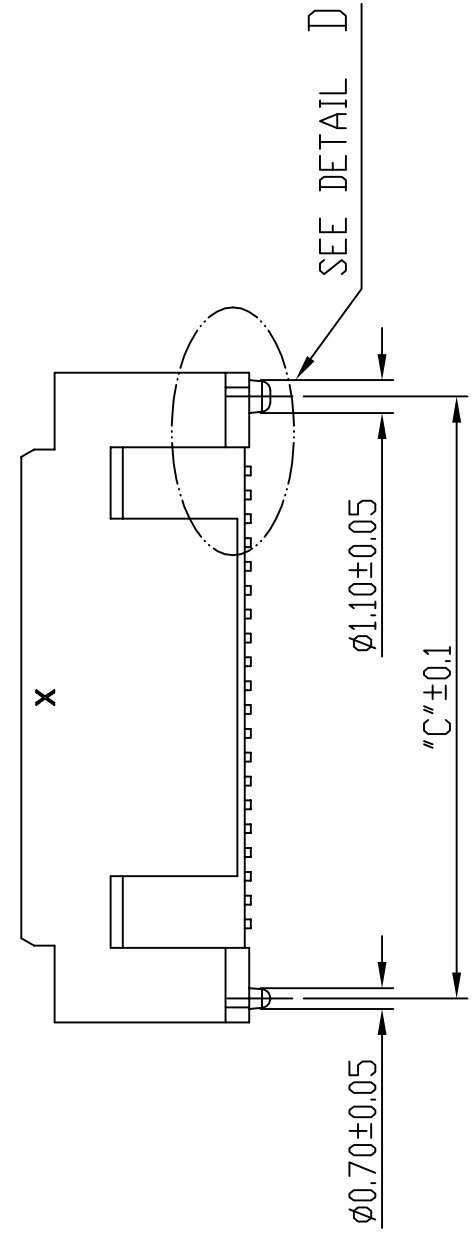
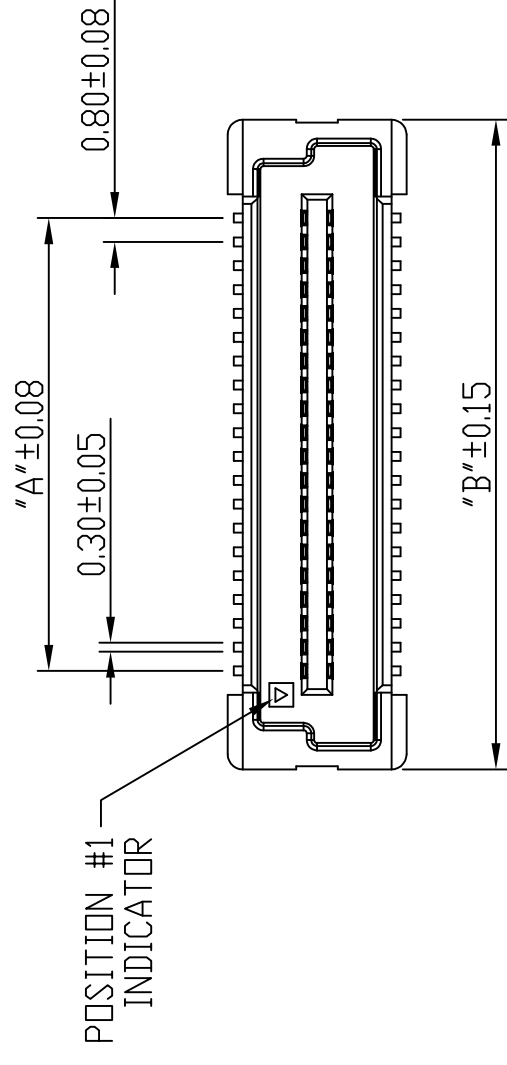
DAY(01~31)
MONTH(01~12)
YEAR(00~99)

DETAIL CC

mat'l. code		surface	tolerance	projection	product family
itr	ecn no	ISO 1302	ISO 406	ISO 1101	BERGSTAK HPL545
AT	dr	tolerances unless otherwise specified	ISO 1101	mm	title
	date	angles	.0±.2	mm	PLUG ASSY
		linear	.00±.15	scale 1:1	BERGSTAK 0.8MM
		0°±3°	.000±.10		dwg no
		dr	GuoMin Sun	2014-10-21	sheet 4 of 6
		eng	Bob Gu	2020-06-28	size
		chr	LQ Lei	2020-06-28	A3
		appd	Tim Yao	2020-06-28	61083
sheet index	revision				type
	AT				Product Customer Drawing
1	1				

1 | 2 | 3 | 4 | 5 | 6

PRODUCT NO.	NO. OF POSITION	DIMENSION		
		A	B	C
61083-044***	2X20	15.2	21.8	20.2
61083-064***	2X30	23.2	29.8	28.2
61083-084***	2X40	31.2	37.8	36.2
61083-104***	2X50	39.2	45.8	44.2
61083-124***	2X60	47.2	53.8	52.2
61083-144***	2X70	55.2	61.8	60.2
61083-164***	2X80	63.2	69.8	68.2
61083-184***	2X90	71.2	77.8	76.2
61083-204***	2X100	79.2	85.8	84.2



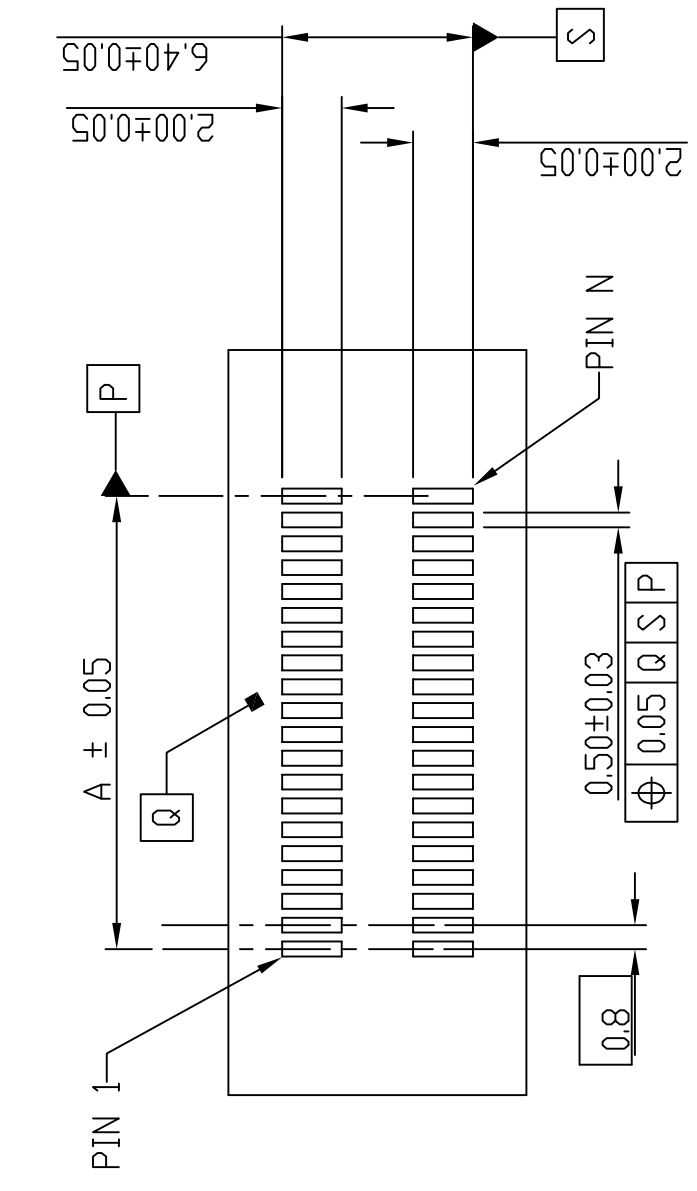
DATE CODE: XXXXXX
 DAY(01~31)
 MONTH(01~12)
 YEAR(00~99)

DETAIL DD

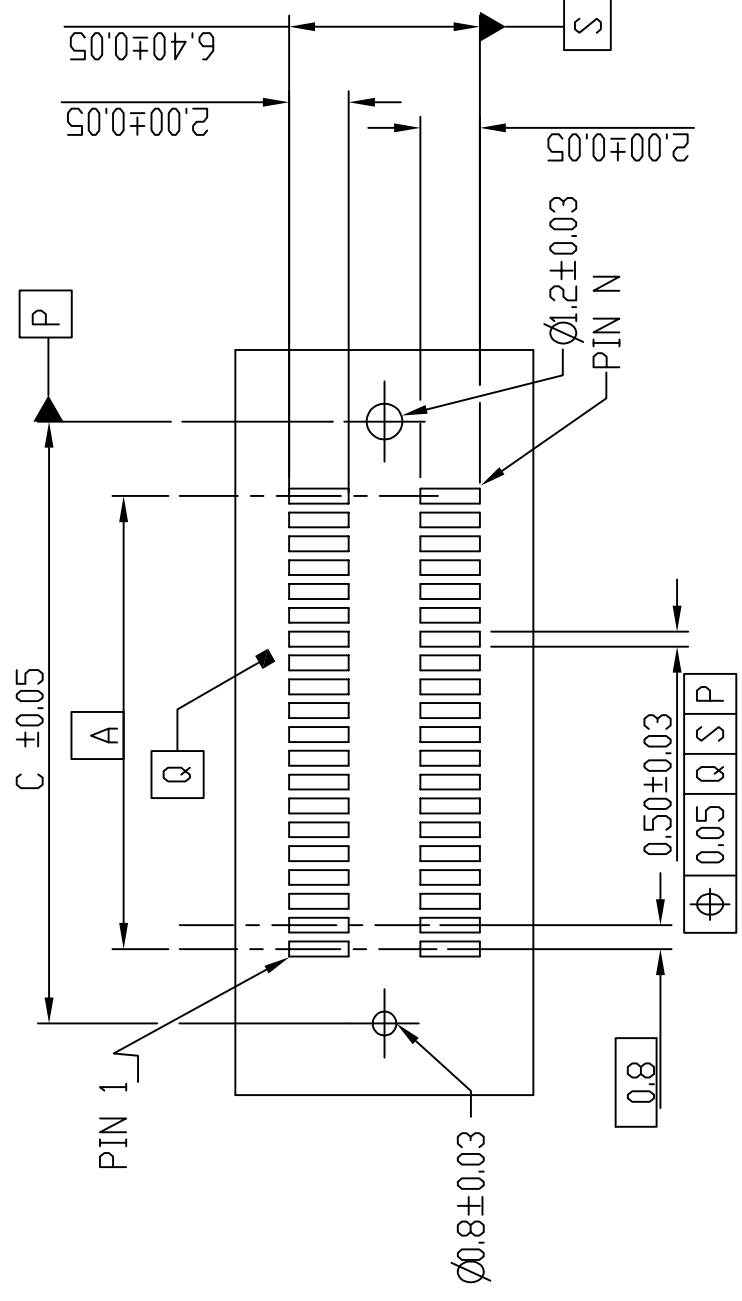
mat'l. code		surface	tolerance	projection	product family
ISO 1302		ISO 406	ISO 1101	BERGSTAK HPL545	
ecn no dr		tolerances unless otherwise specified		title	
AT		.0±.2		PLUG ASSY	
date		angles	linear	BERGSTAK 0.8MM	
		0°±3'	.00±.15	dwg no	
		dr	.000±.10	sheet5 of 6 size	
		eng	2014-10-21	A3	
		chr	2020-06-28	61083	
		appd	2020-06-28	type	
			2020-06-28	Product Customer Drawing	
sheet index	revision AT				
1	1				

© 2016 AFCL

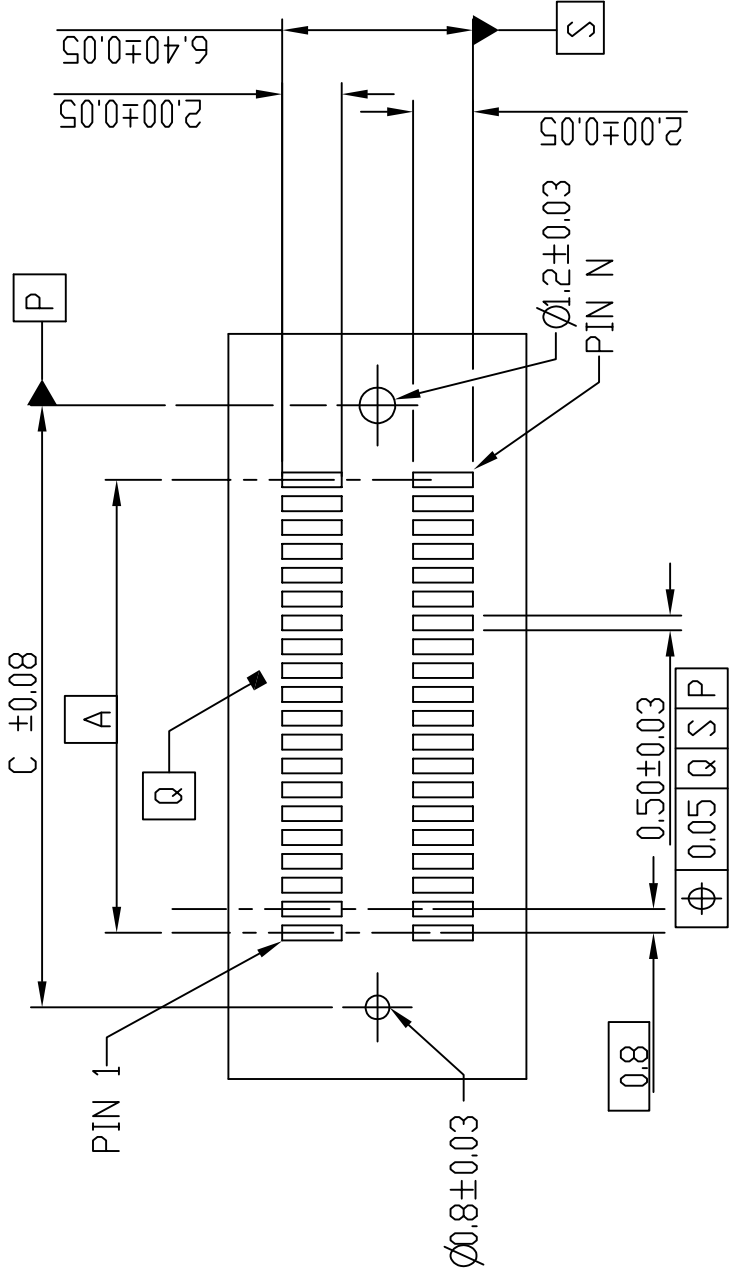
FOR PLUG 1/2/3/4



RECOMMENDED PCB LAYOUT WITHOUT PEG FOR
 NO. OF POS 2X10, 2X20, 2X30, 2X40, 2X50 2X60



RECOMMENDED PCB LAYOUT WITH PEG FOR
 NO. OF POS 2X10, 2X20, 2X30, 2X40, 2X50 2X60



RECOMMENDED PCB LAYOUT WITH PEG FOR
 NO. OF POS 2X70, 2X80, 2X90, 2X100

mat'l. code		surface	tolerance	projection	product family
itr	ecn no	ISO 1302	ISO 406	ISO 1101	BERGSTAK HPL545
AT	dr	tolerances unless otherwise specified	ISO 1101	mm	
	date	angles	.0±.2	scale 1:1	
		linear	.00±.15		
		0°±3°	.000±.10		
sheet index	revision	dr	GuoMin Sun	2014-10-21	dwg no
1	AT	engf	Bob Gu	2020-06-28	sheet6 of 6 size
		chr	LQ Lei	2020-06-28	A3
		appd	Tim Yao	2020-06-28	61083
					type
					Product Customer Drawing

PLUG ASSY
 BERGSTAK 0.8MM