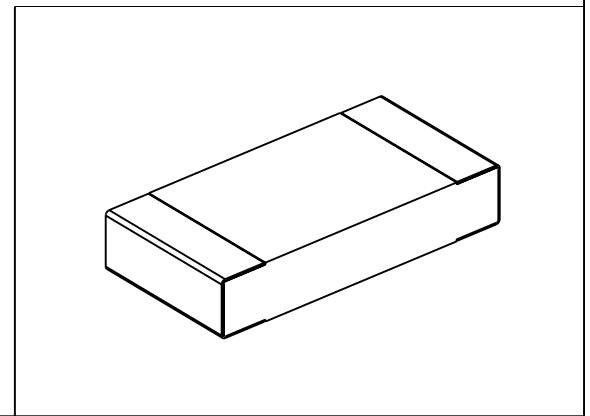
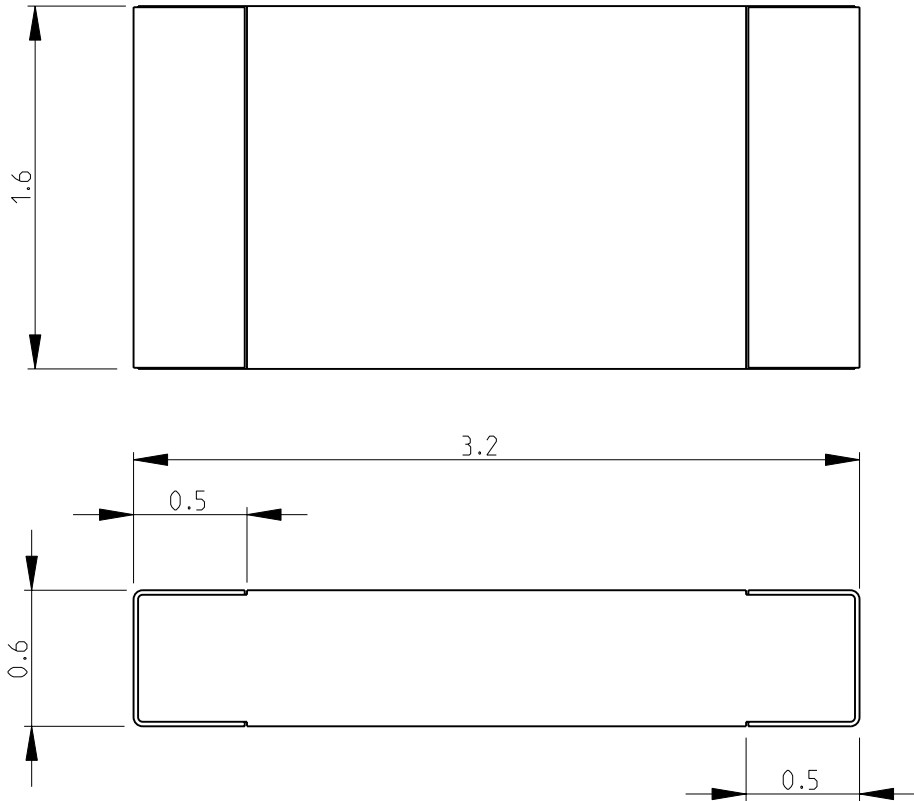


LOC	DIST	REVISIONS					
		P	LTR	DESCRIPTION	DATE	DWN	APVD
E	B		BA1	REVISED PER ECO-11-005150	31MAR2011	RK	HMR

FOR FURTHER INFORMATION SEE DATA SHEET FOR SERIES TL2B - SMD LOW-OHMIC CURRENT SENSE RESISTORS



RoHS Compliant


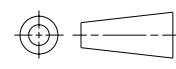
2009

RELEASED FOR PUBLICATION

ALL RIGHTS RESERVED.

THIS DRAWING IS UNPUBLISHED.

© COPYRIGHT 2009

DIMENSIONS:		DWN	30NOV2009	MATERIAL	FINISH	
mm		MAHARUDRA		-	-	
TOLERANCES UNLESS OTHERWISE SPECIFIED:		CHK	30NOV2009	 TE Connectivity		
0 PLC ±0.2		ALLAN.P				
1 PLC ±0.1		APVD	30NOV2009	NAME SMD LOW-OHMIC CURRENT SENSE RESISTORS SERIES TL2B		
2 PLC ±		STEPHEN.P				
3 PLC ±		PRODUCT SPEC	-	SIZE	CAGE CODE	DRAWING NO
4 PLC ±		APPLICATION SPEC	-	A 4	00779	©-1625826
ANGLES ±5°		WEIGHT	-	RESTRICTED TO		-
		CUSTOMER DRAWING		SCALE	30:1	SHEET 1 OF 1
						REV BA1

Mouser Electronics

Authorized Distributor

Click to View Pricing, Inventory, Delivery & Lifecycle Information:

[TE Connectivity:](#)

[1625826-2](#)