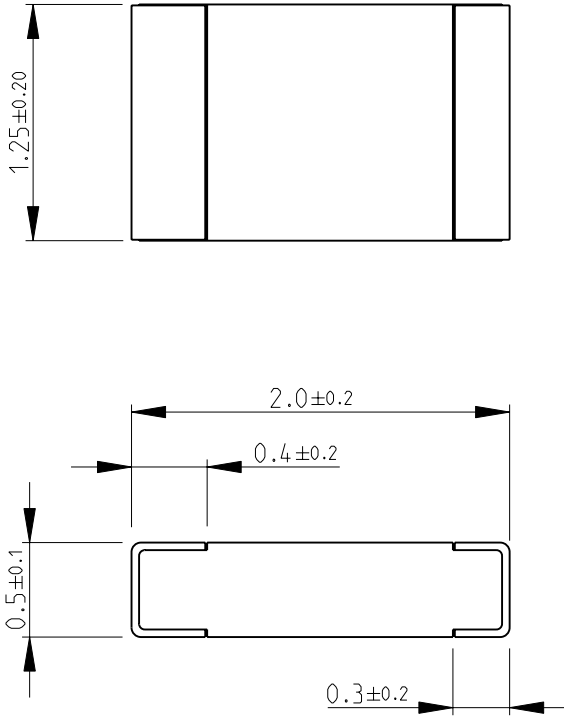
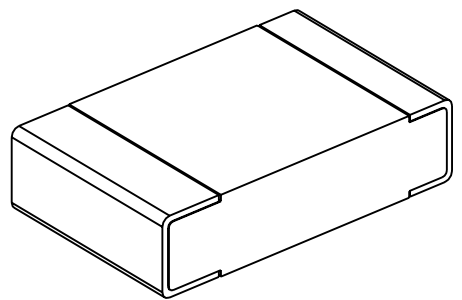


| | | | | | | | |
|-----|------|-----------|-----|----------------------|-----------|-----|------|
| LOC | DIST | REVISIONS | | | | | |
| E | B | P | LTR | DESCRIPTION | DATE | DWN | APVD |
| | | | BA1 | AS PER ECR-09-006166 | 17-MAR-09 | SM | JC |

FOR FURTHER INFORMATION SEE DATA SHEET FOR
CPF SERIES-THIN FILM PRECISION CHIP RESISTORS



RoHS Compliant



2008

RELEASED FOR PUBLICATION

THIS DRAWING IS UNPUBLISHED.

BY TYCO ELECTRONICS CORPORATION. ALL RIGHTS RESERVED.

| | | | | | | | |
|--|------------------|-----------|------------------|--|-------------|---------------|-----|
| DIMENSIONS: mm | DWN | SUBHASH.M | 23-Sep-08 | MATERIAL | - | FINISH | - |
| | CHK | PRAKASH.S | 23-Sep-08 | Tyco Electronics Corporation Dorcan, Swindon, SN3 5HH | | | |
| TOLERANCES UNLESS OTHERWISE SPECIFIED: | APVD | STEPHEN.P | 23-Sep-08 | | | | |
| 0 PLC ± 0.2 | PRODUCT SPEC | - | NAME | THIN FILM PRECISION CHIP RESISTORS SERIES CPF 0805 | | | |
| 1 PLC ± 0.1 | APPLICATION SPEC | - | SIZE | CAGE CODE | DRAWING NO | RESTRICTED TO | |
| 2 PLC \pm | WEIGHT | - | A 4 | 00779 | © = 1614890 | - | |
| 3 PLC \pm | | | CUSTOMER DRAWING | | | | |
| 4 PLC \pm | | | SCALE | 25:1 | SHEET | 1 OF 1 | REV |
| ANGLES $\pm 5^\circ$ | | | | | | | BA1 |

Mouser Electronics

Authorized Distributor

Click to View Pricing, Inventory, Delivery & Lifecycle Information:

[TE Connectivity:](#)

[CPF0805B16R5E1](#)