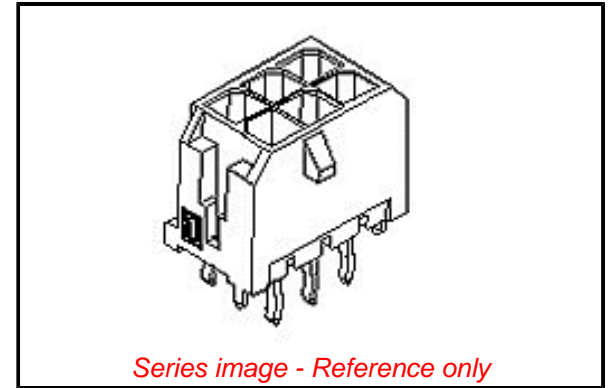


PLEASE CHECK WWW.MOLEX.COM FOR LATEST PART INFORMATION

Part Number: [0440671602](#)
Status: **Active**
Overview: [Micro-Fit Connector System](#)
Description: Micro-Fit 3.0 Wire-to-Board Header, Dual Row, Vertical for up to 3.56mm Thick PCB, 16 Circuits, 0.38µm Gold (Au) Selective Plating

Documents:

| | |
|---|--|
| 3D Model | Test Summary 430450005-TS-000 (PDF) |
| 3D Model (PDF) | Test Summary TS-43045-001-001 (PDF) |
| Drawing (PDF) | Test Summary TS-43045-002-001 (PDF) |
| Product Specification 430450001-PS-KO-000 (PDF) | Test Summary TS-46235-001-001 (PDF) |
| Product Specification 430450001-PS-SP-000 (PDF) | Symbol Footprint Data SYM-44067-160X-001 (PDF) |
| Product Specification PS-43045-001 (PDF) | RoHS Certificate of Compliance (PDF) |
| Packaging Specification PK-70873-0314-001 (PDF) | |



General

| | |
|----------------|--|
| Product Family | PCB Headers |
| Series | 44067 |
| Application | Power, Wire-to-Board |
| Comments | High Temperature, Polarization Key to PCB |
| Overview | Micro-Fit Connector System |
| Product Name | Micro-Fit 3.0 |
| UPC | 800753937000 |

Physical

| | |
|--------------------------------|--------------------------------|
| Breakaway | No |
| Circuits (Loaded) | 16 |
| Circuits (maximum) | 16 |
| Color - Resin | Black |
| Durability (mating cycles max) | 30 |
| First Mate / Last Break | No |
| Glow-Wire Capable | No |
| Guide to Mating Part | No |
| Keying to Mating Part | None |
| Lock to Mating Part | Yes |
| Material - Plating Mating | Gold |
| Material - Plating Termination | Tin |
| Material - Resin | High Temperature Thermoplastic |
| Net Weight | 2.228/g |
| Number of Rows | 2 |
| Orientation | Vertical |
| PC Tail Length | 4.01mm |
| PCB Locator | Yes |
| PCB Retention | Yes |
| PCB Thickness - Recommended | 3.60mm |
| Packaging Type | Tray |
| Pitch - Mating Interface | 3.00mm |
| Pitch - Termination Interface | 3.00mm |
| Plating min - Mating | 0.381µm |
| Plating min - Termination | 2.540µm |
| Polarized to PCB | Yes |
| Shrouded | Fully |
| Stackable | No |
| Surface Mount Compatible (SMC) | Yes |
| Temperature Range - Operating | -40° to +105°C |
| Termination Interface: Style | Through Hole - Kinked Pin |

EU ELV

Not Relevant

EU RoHS

Compliant

REACH SVHC

Not Contained Per -
D(2020)9139-DC (19
Jan 2021)

Halogen-Free

Status

Low-Halogen

For more information, please visit [Contact US](#)

China ROHS

ELV

RoHS Phthalates

China RoHS

Green Image

Not Relevant

Not Contained

Search Parts in this Series

[44067](#) Series

Mates With

[43025](#) Micro-Fit 3.0 Receptacle Housing

Electrical

Current - Maximum per Contact 8.5A
Voltage - Maximum 250V

Solder Process Data

Duration at Max. Process Temperature (seconds) 030
Lead-free Process Capability SMC&WAVE
Max. Cycles at Max. Process Temperature 003
Process Temperature max. C 260

Material Info**Reference - Drawing Numbers**

Packaging Specification PK-70873-0314-001
Product Specification 430450001-PS-KO-000, 430450001-PS-SP-000,
PS-43045-001
Sales Drawing SD-44067-001
Symbol/Footprint Data SYM-44067-160X-001
Test Summary 430450005-TS-000, TS-43045-001-001,
TS-43045-002-001, TS-46235-001-001

This document was generated on 07/05/2021

PLEASE CHECK WWW.MOLEX.COM FOR LATEST PART INFORMATION

Mouser Electronics

Authorized Distributor

Click to View Pricing, Inventory, Delivery & Lifecycle Information:

[Molex:](#)

[44067-1602](#)