

heavy|mate - C146 Housings Hood, without stud

Part No. C146 21R006 607 1

Series Heavy duty connectors heavy|mate - C 146

Subseries Heavy duty connector heavy|mate - C146 Housings



COMMON CHARACTERISTICS

Cable entry		Top
IP degree of protection		IP 65
Thread		M 25
Version		low profile
Housing type		Hood
Insert type		Hood
Protective cover		PA

ELECTRICAL CHARACTERISTICS

Contact resistance	DIN EN 60512-2-1, Test 2a / IEC 60512-2-1, Test 2a	0 m
--------------------	----------------------------------------------------	-----

CLIMATICAL CHARACTERISTICS

Temperature range		-40 °C / +100 °C
Upper temperature		+100 °C / 1000 h
Lower temperature		-40 °C / 16 h

MECHANICAL CHARACTERISTICS

Mechanical lifetime (standard)		IEC 60512-5; Test 9 a
--------------------------------	--	-----------------------

MATERIALS

Gasket		NBR
Locking		1 locking lever
Dielectric material		special surface

heavy|mate - C146 Housings Hood, without stud

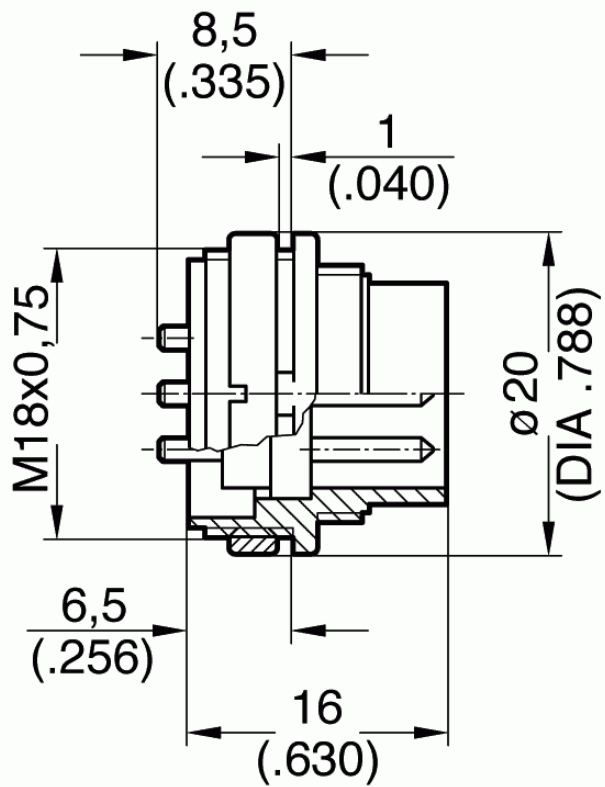
Part No. C146 21R006 607 1

Series Heavy duty connectors heavy|mate - C 146

Subseries Heavy duty connector heavy|mate - C146 Housings



Fig. C 091A-74a



Ma zeichnung Dimensions in mm (Inch)

21.09.2007