

May.1.2020 Copyright 2020 HIROSE ELECTRIC CO., LTD. All Rights Reserved.
In case of consideration for using Automotive equipment / device which demand high reliability, kindly contact our sales window correspondents.

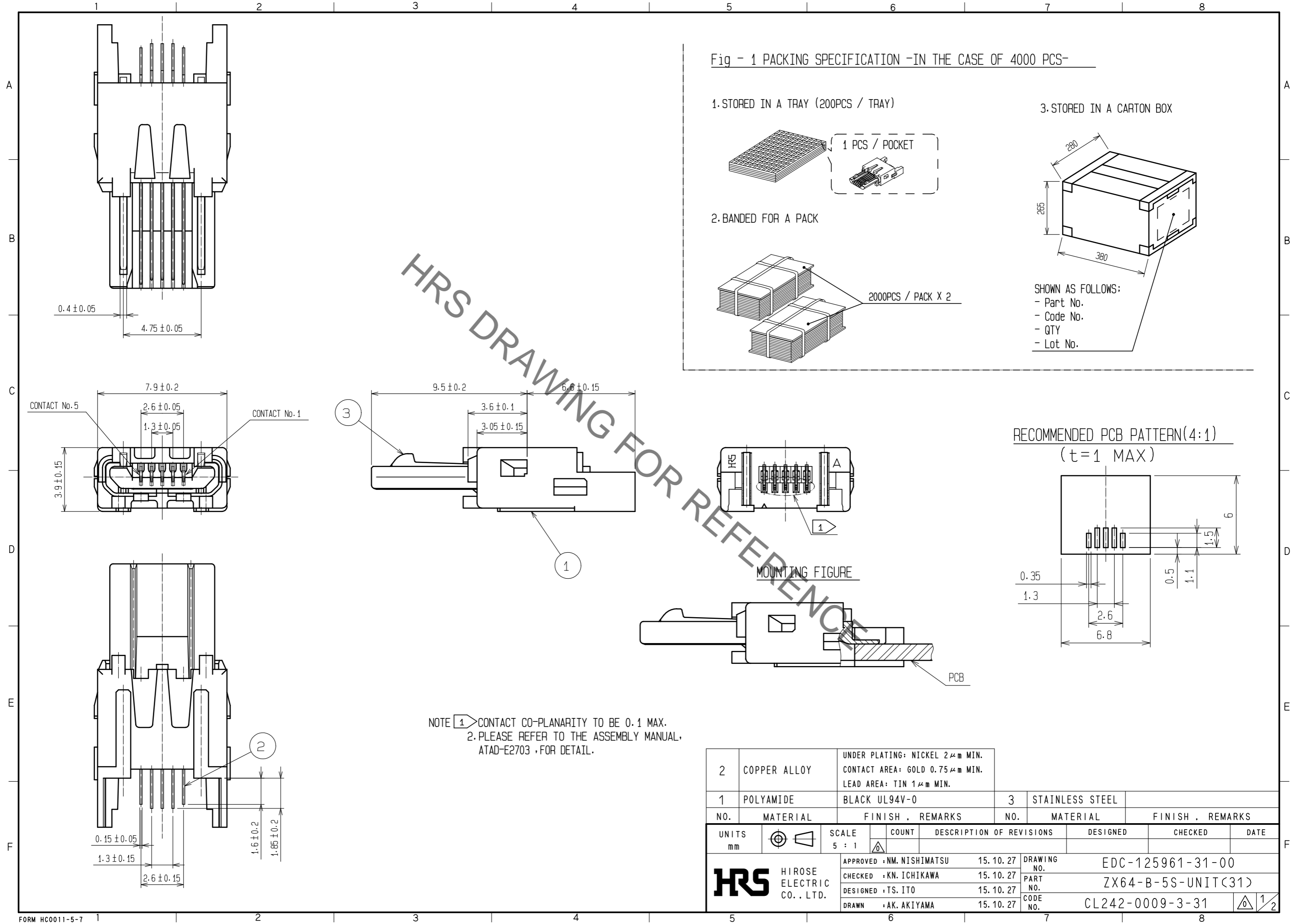
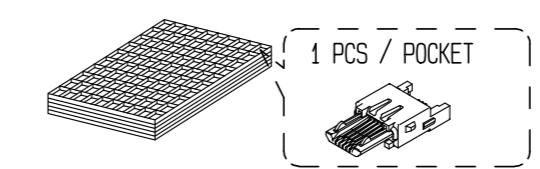
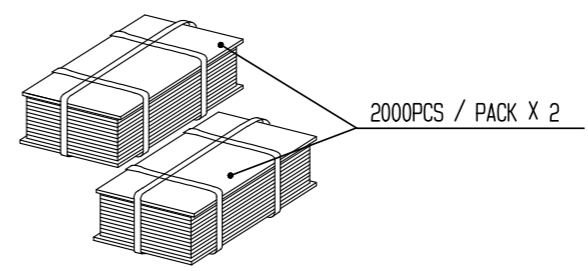


Fig - 1 PACKING SPECIFICATION -IN THE CASE OF 4000 PCS-

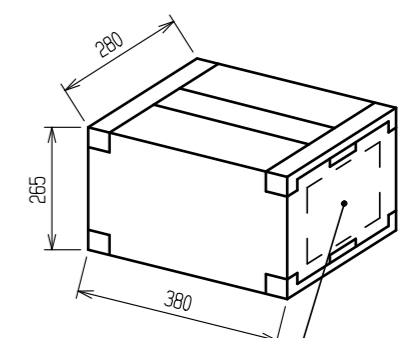
1. STORED IN A TRAY (200PCS / TRAY)



2. BANDED FOR A PACK



3. STORED IN A CARTON BOX



SHOWN AS FOLLOWS:
- Part No.
- Code No.
- QTY
- Lot No.

NOTE 1 CONTACT CO-PLANARITY TO BE 0.1 MAX.
2. PLEASE REFER TO THE ASSEMBLY MANUAL, ATAD-E2703, FOR DETAIL.

2	COPPER ALLOY	UNDER PLATING: NICKEL 2μm MIN. CONTACT AREA: GOLD 0.75μm MIN. LEAD AREA: TIN 1μm MIN.	3	STAINLESS STEEL				
1	POLYAMIDE	BLACK UL94V-0						
NO.	MATERIAL	FINISH . REMARKS	NO.	MATERIAL	FINISH . REMARKS			
UNITS	mm	SCALE	5 : 1	COUNT	DESCRIPTION OF REVISIONS	DESIGNED	CHECKED	DATE
		APPROVED : NM. NISHIMATSU	15.10.27	DRAWING NO.		EDC-125961-31-00		
HIROSE ELECTRIC CO., LTD.		CHECKED : KN. ICHIKAWA	15.10.27	PART NO.		ZX64-B-5S-UNIT(31)		
		DESIGNED : TS. ITO	15.10.27	CODE NO.		CL242-0009-3-31		
		DRAWN : AK. AKIYAMA	15.10.27			1/2		

May.1.2020 Copyright 2020 HIROSE ELECTRIC CO., LTD. All Rights Reserved.
In case of consideration for using Automotive equipment / device which demand high reliability, kindly contact our sales window correspondents.

Fig - 2 SHIELDING-PLATE ASSEMBLY

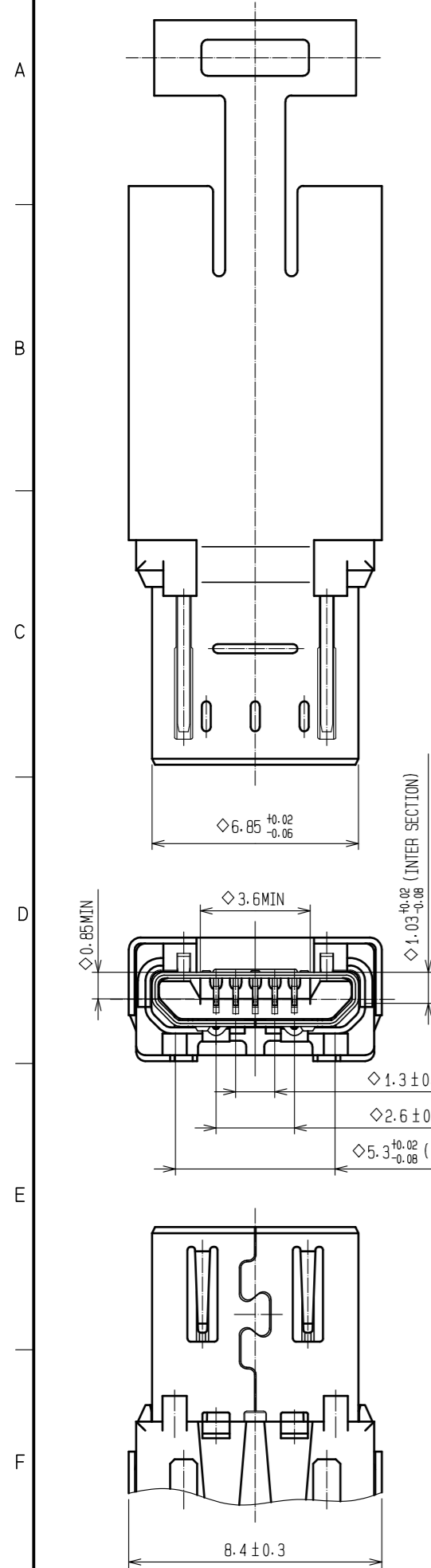
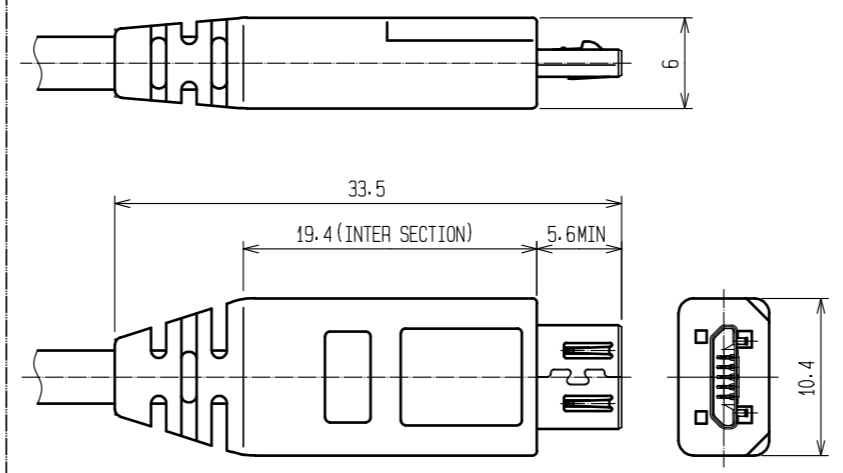
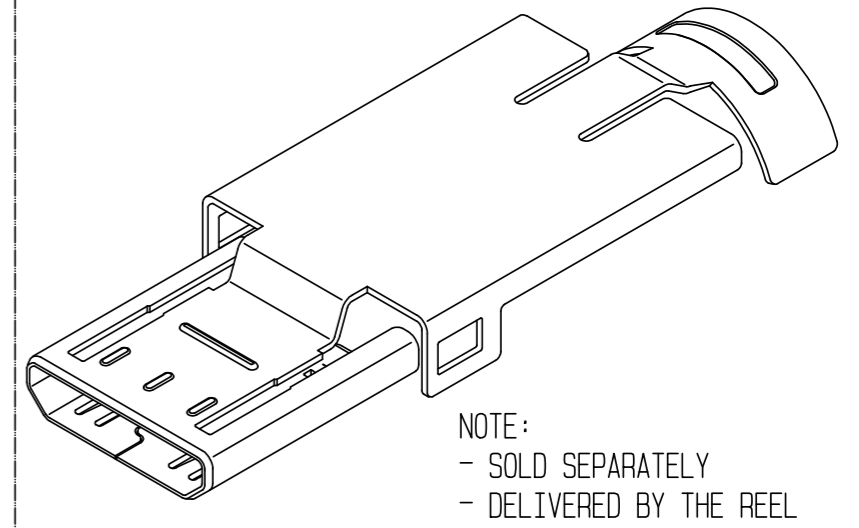


Fig - 3 OVER-MOLDING(REFERENCE)

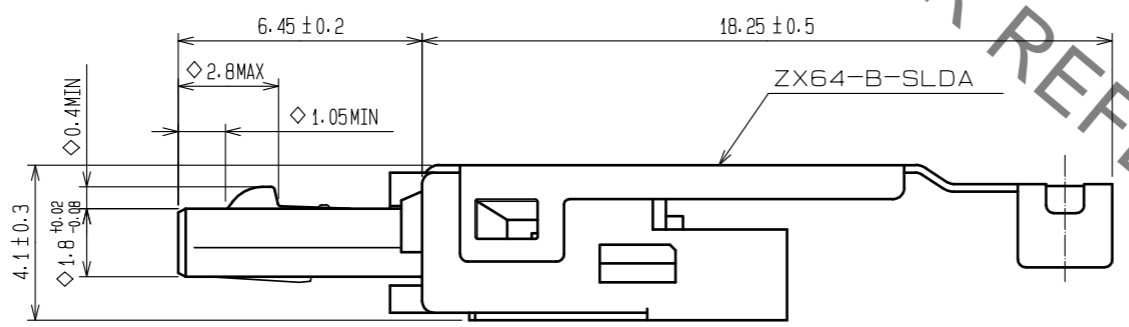
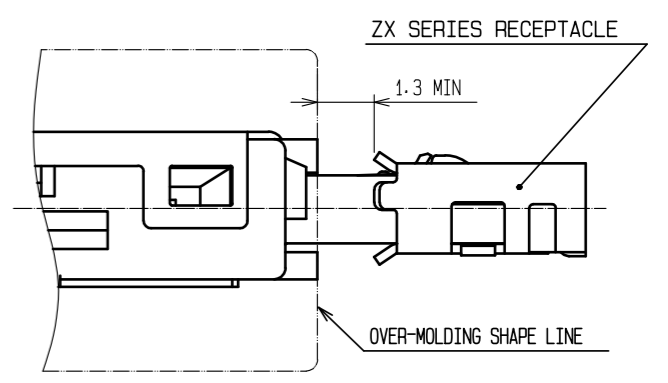


ZX64-B-SLDA
CODE : CL242-0013-0



NOTE:
- SOLD SEPARATELY
- DELIVERED BY THE REEL

Fig - 4 MATED CONDITION



HRS DRAWING FOR REFERENCE

NOTES ③ SHIELDING-PLATES, ZX64-B-SLDA ARE USED FOR ASSEMBLY.
④ *◇*SYMBOL ADDED TO EACH DIMENSION MEANS CRITICAL DIMENSION ON USB SPECIFICATION.
PLEASE CHECK THEM AFTER OVER-MOLDING.

HRS	DRAWING NO.	EDC-125961-31-00
	PART NO.	ZX64-B-5S-UNIT(31)
	CODE NO.	CL242-0009-3-31
		2/2