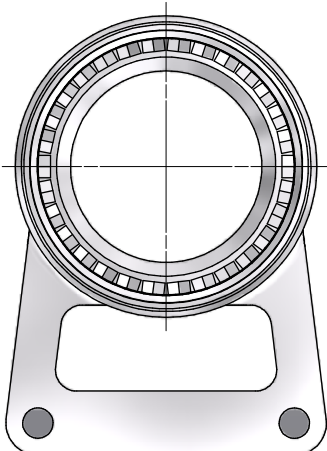
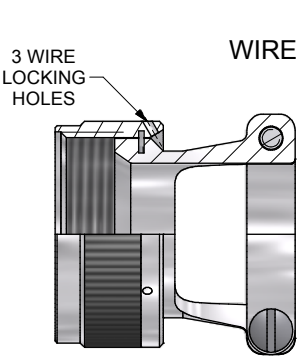
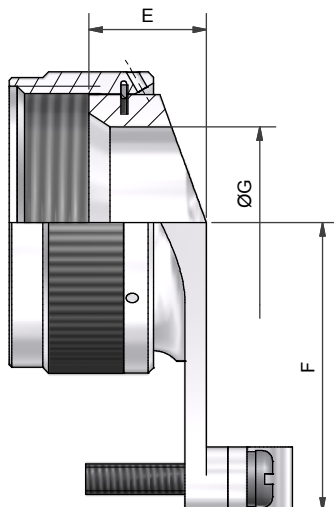


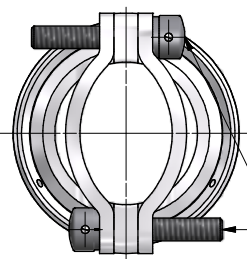
ANGLE 1



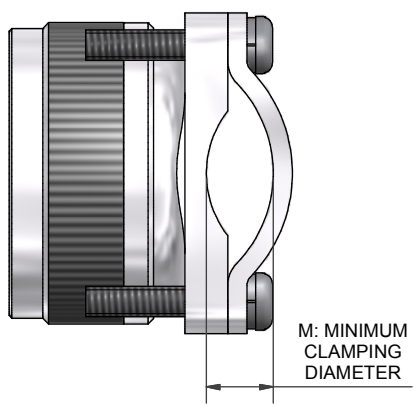
ANGLE 3



-WL  
WIRE LOCK OPTION



FILLISTER HEAD SCREWS WITH WIRE LOCK HOLE



M: MINIMUM CLAMPING DIAMETER

NOTE: FASTENERS MATERIAL - STAINLESS STEEL

DRAWN	B.VESA		DATE	19/11/2015
SALES APPR			DATE	19/11/2015
DESIGN APPR	K.SHEPPARD		DATE	20/11/2015
PROD APPR				
QUAL APPR				
ISSUE	REV.	DCR		
1	1			
NCAGE CODE U5792		WEIGHT		

3RD ANGLE PROJECTION NOT TO SCALE	PART NUMBER:	96A SERIES
UNLESS OTHERWISE SPECIFIED ALL DIMENSIONS IN MILLIMETRES GENERAL TOL LINEAR +/-0.25MM ANGULAR +/- 1°	TITLE:	STRAIN RELIEF BACKSHELL
MATERIAL SEE PART NUMBER BREAKDOWN	ASSY USED ON:	MIL-DTL-26482 SERIES II
FINISH SEE PART NUMBER BREAKDOWN	THIS DRAWING IS COPYRIGHT AND THE PROPERTY OF POLAMCO LTD IT MUST NOT BE COPIED, USED FOR MANUFACTURE OR OTHERWISE DISCLOSED WITHOUT PRIOR WRITTEN CONSENT OF THE COMPANY.	

Polamco

TE connectivity

SHT 1

DRAWING NO: P11362

POLAMCO LTD, WESTON LOCK,  
LOWER BRISTOL ROAD  
BATH BA2 1EP

TABLE 1

SHELL SIZE	A THREAD	ØB MAX	E ±0,5	F ±0,5	G MIN	H MAX	L	K ±0,5	M ±0,5
03	9/16-24 UNEF	17,0	11,0	20,5	6,6	19,0	21,0	5,70	3,85
08	1/2-20 UNF	15,6	11,0	20,5	6,6	19,0	21,0	5,70	3,85
10	5/8-24 UNEF	18,6	11,0	22,0	9,3	20,6	21,0	6,80	4,45
12	3/4-20 UNEF	21,7	11,0	23,0	12,7	25,2	22,0	8,50	5,00
14	7/8-20 UNEF	24,9	11,0	25,4	14,6	26,9	22,0	10,20	5,60
16	1-20 UNEF	28,2	11,0	27,0	17,8	30,2	22,5	11,50	6,25
18	1 1/16-18 UNEF	30,9	11,0	28,6	19,8	33,2	26,5	14,50	7,50
20	1 3/16-18 UNEF	34,1	11,0	32,0	23,0	38,0	30,0	16,80	8,65
22	1 5/16-18 UNEF	37,3	11,0	33,0	26,1	41,2	36,0	19,50	10,55
24	1 7/16-18 UNEF	40,4	11,0	36,5	29,1	44,4	36,0	21,40	11,50
28	1 3/4-18 UNS	50,0	16,0	40,0	35,0	51,0	36,0	25,40	13,50
32	2-18 UNS	56,3	16,0	43,5	41,3	58,2	36,0	34,92	14,50
36	2 1/4-16 UN	62,7	16,0	47,0	46,8	63,1	45,0	31,40	16,50
61	1 1/2-18 UNEF	42,0	16,0	36,5	30,0	42,7	36,0	23,90	12,75

TABLE 2

CODE	FINISH
C	ELECTROLESS NICKEL
B	CADMIUM OLIVE DRAB OVER ELECTROLESS NICKEL
ZB	ZINC COBALT OLIVE DRAB OVER ELECTROLESS NICKEL
ZN	ZINC NICKEL BLACK PASSIVATE OVER ELECTROLESS NICKEL

LIST NOT EXHAUSTIVE, FOR COMPREHENSIVE LIST AND SPECS, SEE WEBSITE

96A1-16-1-C

SERIES \_\_\_\_\_  
CONNECTOR INTERFACE \_\_\_\_\_  
ANGLE \_\_\_\_\_  
(1 - STRAIGHT, 3 - 90°)  
SHELL SIZE (TABLE 1) \_\_\_\_\_  
MATERIAL \_\_\_\_\_  
ALUMINIUM ALLOY \_\_\_\_\_  
FINISH (TABLE 2) \_\_\_\_\_  
INSERT -WL FOR WIRE LOCK OPTION \_\_\_\_\_  
(LEAVE BLANK FOR STANDARD)

DRAWN	B.VESA	DATE	19/11/2015		3RD ANGLE PROJECTION NOT TO SCALE	PART NUMBER:				96A SERIES			
SALES APPR		DATE	19/11/2015			TITLE:				STRAIN RELIEF BACKSHELL			
DESIGN APPR	K.SHEPPARD	DATE	20/11/2015	UNLESS OTHERWISE SPECIFIED ALL DIMENSIONS IN MILLIMETRES GENERAL TOL LINEAR +/-0,25MM ANGULAR +/- 1°		ASSY USED ON: MIL-DTL-26482 SERIES II				 Polamco  TE connectivity			
PROD APPR						THIS DRAWING IS COPYRIGHT AND THE PROPERTY OF POLAMCO LTD IT MUST NOT BE COPIED, USED FOR MANUFACTURE OR OTHERWISE DISCLOSED WITHOUT PRIOR WRITTEN CONSENT OF THE COMPANY.							
QUAL APPR				MATERIAL									
ISSUE	REV.	DCR		SEE PART NUMBER BREAKDOWN									
1	1			FINISH									
NCAGE CODE U5792		WEIGHT		SEE PART NUMBER BREAKDOWN									

# Mouser Electronics

Authorized Distributor

Click to View Pricing, Inventory, Delivery & Lifecycle Information:

[TE Connectivity:](#)

[96A3-14-1-C](#)