

IEC Appliance Inlet C14 or C18 with Filter, Protection Degree IP65, Fuseholder 1- or 2-pole, Front or Rear Mounting

Medical fuse drawer



V-Lock



Mounting from front side

Mounting from rear side



Description

- Panel Mount:
Screw-on version from front or rear side, Screws with sealing are included
- 4 Functions:
Appliance Inlet protection class I or II, Line filter in standard and medical version, Fuseholder for fuse-links 5 x 20 mm, IP 65 protection
- Quick connect terminals 6.3 x 0.8 mm

Approvals

- VDE Certificate Number: 40016382
- UL File Number: E72928

Characteristics

- Extreme robust design
- All single elements are already wired
- Screw type fuse carrier, slotted
Fuseholder meets requirements of medical standard IEC/EN 60601-1
The fuseholder can only be opened with the aid of a tool
The fuseholder is accessible from the equipment front
- With EMC-shield
- Especially for applications in rough environments
- Qualified for use in equipment according IEC/EN 60950

Other versions on request

- With solder terminals
- Class X1- and Y1-capacitors for enhanced withstand voltage
- Medical version M80
- Additional sealing (IP54) of power input
- Version with current rating 3 A

References

Weblinks

[pdf](#), [html](#), [General Product Information](#), [Approvals](#), [RoHS](#), [CHINA-RoHS](#), [Mating Connectors](#), [e-Store](#), [SCHURTER-Stock-Check](#), [Distributor-Stock-Check](#), [Accessories](#)

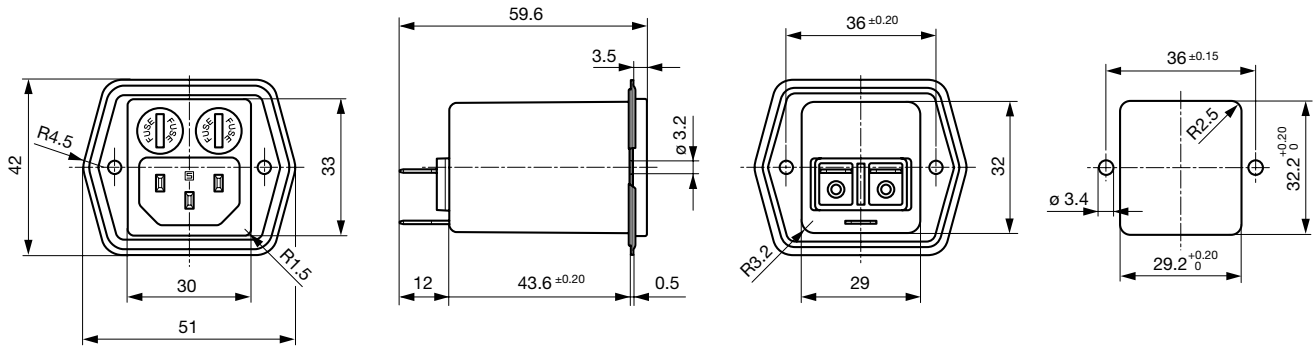
Newly available variants corresponding to V-Lock mating cordset. The connector is equipped with a notch intended for use with the latching cordset. The cord latching system prevents against accidental removal of the cordset.

Technical Data

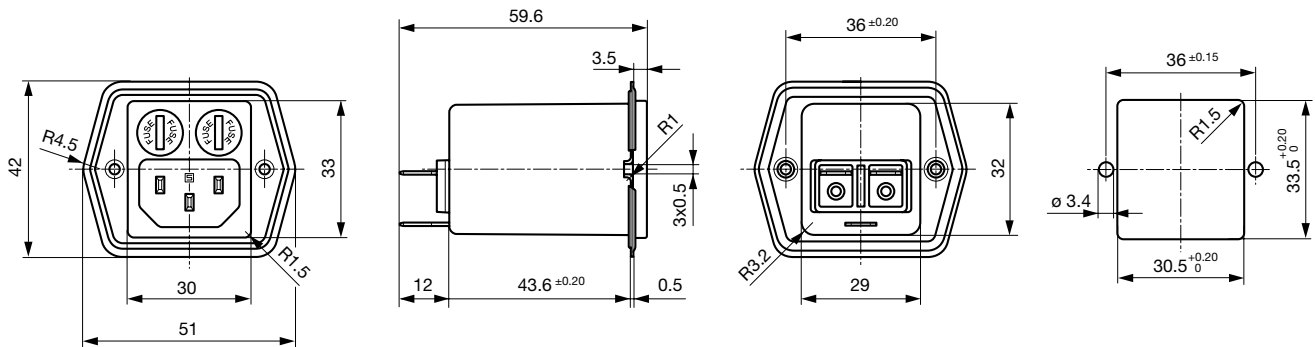
Ratings IEC	1 - 8A @ Ta 40 °C / 250VAC; 50Hz	Appliance-Inlet/-Outlet	C14 acc. to IEC/EN 60320-1 UL 498, CSA C22.2 no. 42 (for cold conditions) pin-temperature 70 °C, 8A, Protection Class 1 or 2
Ratings UL/CSA	1 - 8A @ Ta 40 °C / 125VAC; 60Hz	Fuseholder	1 or 2 pole, Shocksafe category PC2 acc. to IEC 60127-6, for fuse-links 5 x 20mm
Leakage Current	standard < 0.5mA (250V / 60Hz) medical < 5 µA (250 V / 60 Hz)	Rated Power Acceptance @ Ta 23 °C	5 x 20: 1.6W 1-pole/ 1,2W 2-pole per pole
Dielectric Strength	> 1.7kVDC between L-N > 2.7kVDC between L/N-PE Test voltage (2 sec)	Power Acceptance @ Ta > 23°C	Admissible power acceptance at higher ambient temperature see derating curves
Allowable Operation Temp.	-25°C to 85°C	Line Filter	Standard and Medical Version, IEC 60939, IEC 60601-1, UL 1283, UL 544, EN 133 200, CSA C22.2 no. 8 Technical details
Climatic Category	25/085/21 acc. to IEC 60068-1	MTBF	> 2'800'000h acc. to MIL-HB-217 F
Degree of Protection	from front side IP 65 acc. to IEC 60529 from rear-side IP 65 acc. to IEC 60529		
Protection Class	Suitable for appliances with protection class 1 or 2 acc. to IEC 61140		
Terminal	Quick connect terminals 6.3 x 0.8 mm		
Panel Thickness s	Screw, max 3mm Mounting screw torque max 0.8Nm 2 screws M3 with sealing are provided		
Material: Housing	black / metallic, UL 94V-0		

Dimensions

Mounting from front side



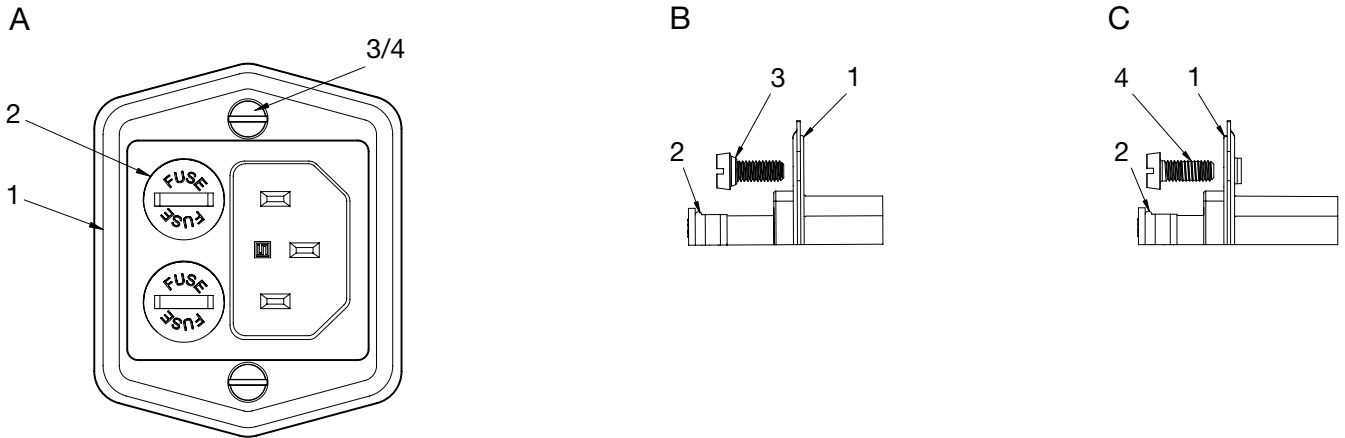
Mounting from rear side



Technical Data of Filter-Components

Rated Current [A]	Filter-Type	Inductances L [mH]	Capacitance CX [nF]	Capacitance CY [nF]	R [MΩ]
1	Standard Version	2 x 12	100	2.2	1
2	Standard Version	2 x 5.2	100	2.2	1
4	Standard Version	2 x 2	100	2.2	1
6	Standard Version	2 x 0.8	100	2.2	1
8	Standard Version	2 x 0.4	100	2.2	1
1	Medical Version (M5)	2 x 12	100	-	1
2	Medical Version (M5)	2 x 5.2	100	-	1
4	Medical Version (M5)	2 x 2	100	-	1
6	Medical Version (M5)	2 x 0.8	100	-	1
8	Medical Version (M5)	2 x 0.4	100	-	1

Dimensions



- A) front view
- B) detail front mounting type
- C) detail rear mounting type

- 1) sealing of flange
- 2) sealing of fuseholder
- 3) sealing of screw hole (front mounting type: sealing ring on screw head)
- 4) sealing of screw hole (rear mounting type: sealing on screw thread)

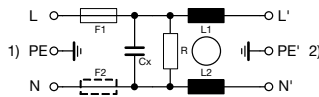
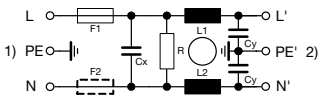
Important:

- use supplied fuse caps (2) and mounting screws (3/4)
- optimal sealing requires even and solid panel opening
- recommended tightening torque for mounting screws (2/3/4): 0.5-0.8 Nm
- IP65 protection between the inlet and connector pins, but no IP rating between the connector pins and the plug of the power cord!

Diagrams

Standard version

Medical version M5

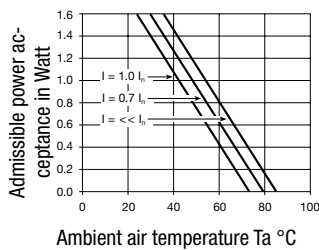


- 1) Line
- 2) Load

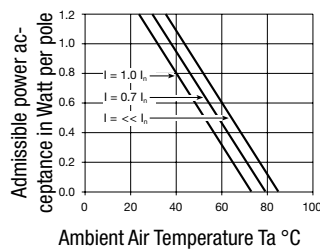
- 1) Line
- 2) Load

Derating Curves

1-pole



2-pole

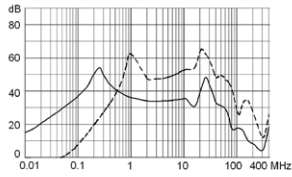


Attenuation Loss

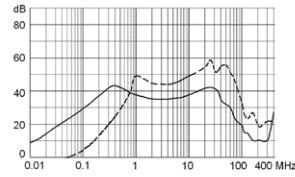
Standard version

--- differential mode ____ common mode

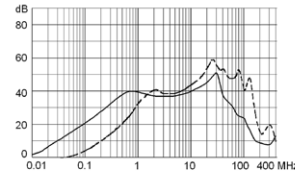
1 A



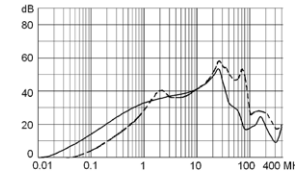
2 A



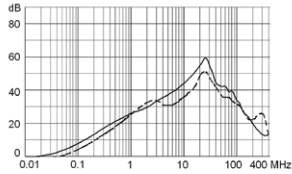
4 A



6 A

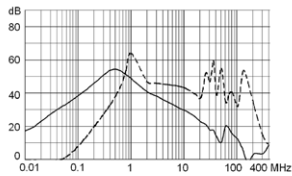


8 A

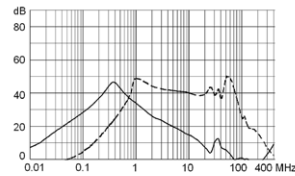


Medical version (M5)

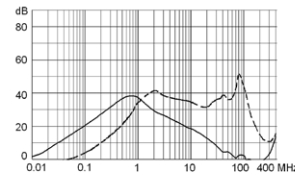
1 A



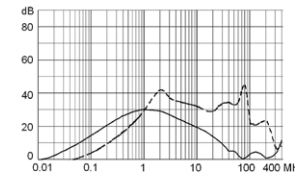
2 A



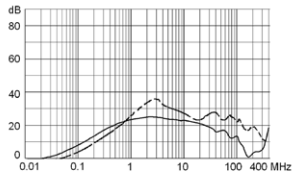
4 A



6 A



8 A



Variants

Rated Current [A]	Filter-Type	Screw-on or rivet mounting version from front side	Screw-on version from rear with pre-formed, threaded holes for M3 screws	Protection Class	Fuseholder	Order Number
1	Standard Version	●		1	1-pole	5707.0101.112
2	Standard Version	●		1	1-pole	5707.0201.112
4	Standard Version	●		1	1-pole	5707.0401.112
6	Standard Version	●		1	1-pole	5707.0601.112
8	Standard Version	●		1	1-pole	5707.0801.112
1	Standard Version		●	1	1-pole	5707.0101.113
2	Standard Version		●	1	1-pole	5707.0201.113
4	Standard Version		●	1	1-pole	5707.0401.113
6	Standard Version		●	1	1-pole	5707.0601.113
8	Standard Version		●	1	1-pole	5707.0801.113
1	Standard Version	●		1	2-pole	5707.0101.312
2	Standard Version	●		1	2-pole	5707.0201.312
4	Standard Version	●		1	2-pole	5707.0401.312
6	Standard Version	●		1	2-pole	5707.0601.312
8	Standard Version	●		1	2-pole	5707.0801.312
1	Standard Version		●	1	2-pole	5707.0101.313
2	Standard Version		●	1	2-pole	5707.0201.313

Rated Current [A]	Filter-Type	Screw-on or rivet mounting version from front side	Screw-on version from rear with pre-formed, threaded holes for M3 screws	Protection Class	Fuseholder	Order Number
4	Standard Version		●	1	2-pole	5707.0401.313
6	Standard Version		●	1	2-pole	5707.0601.313
8	Standard Version		●	1	2-pole	5707.0801.313
1	Medical Version (M5)	●		1	2-pole	5707.0103.312
2	Medical Version (M5)	●		1	2-pole	5707.0203.312
4	Medical Version (M5)	●		1	2-pole	5707.0403.312
6	Medical Version (M5)	●		1	2-pole	5707.0603.312
8	Medical Version (M5)	●		1	2-pole	5707.0803.312
1	Medical Version (M5)		●	1	2-pole	5707.0103.313
2	Medical Version (M5)		●	1	2-pole	5707.0203.313
4	Medical Version (M5)		●	1	2-pole	5707.0403.313
6	Medical Version (M5)		●	1	2-pole	5707.0603.313
8	Medical Version (M5)		●	1	2-pole	5707.0803.313
1	Medical Version (M5)	●		2	2-pole	5707.0103.412
2	Medical Version (M5)	●		2	2-pole	5707.0203.412
4	Medical Version (M5)	●		2	2-pole	5707.0403.412
6	Medical Version (M5)	●		2	2-pole	5707.0603.412
8	Medical Version (M5)	●		2	2-pole	5707.0803.412
1	Medical Version (M5)		●	2	2-pole	5707.0103.413
2	Medical Version (M5)		●	2	2-pole	5707.0203.413
4	Medical Version (M5)		●	2	2-pole	5707.0403.413
6	Medical Version (M5)		●	2	2-pole	5707.0603.413
8	Medical Version (M5)		●	2	2-pole	5707.0803.413

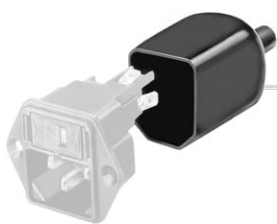
In addition to the IP65 sealing to the appliance (standard version), the power input can be protected from ingressing fluids and dust with IP54. This option can be ordered with ending ".01" (5707.xxxx.xxx.01).

".21" corresponds to the version with V-Lock mating cordset. The connector is equipped with a notch intended for use with the latching cordset. The cord latching system prevents against accidental removal of the cordset.

Packaging unit 10 Pcs

Accessories

Description



Assorted Covers
Rear Cover

0859.0047



Wire Harness
Wire harness for SCHURTER products

Mating Outlets/Connectors

Category / Description

Connector Overview complete



IEC Connector C15, Rewireable, Straight	0101
IEC Connector C15A, Rewireable, Straight	0102
IEC Connector C15A, Rewireable, Straight	0102-G
IEC Connector C15A, Rewireable, Angled	0112
IEC Connector C13, Rewireable, Angled	4012
Connector further types to 5707	...

Power Cord Overview complete



Power Cord with IEC Connector C13, Angled	0311
Power Cord with IEC Connector C13, Angled	3011
Power Cord with IEC Connector C13, Angled	3012
Power Cord with IEC Connector C13, Angled	3013
Power Cord with IEC Connector C13	3020
Power Cord further types to 5707	...

Power Supply or Interconnection Cord Overview complete



Divers Power Supply and Interconnection Cords 10 A	6000.0214
Divers Power Supply and Interconnection Cords 10 A	6000.0224
Divers Power Supply and Interconnection Cords 10 A	6003.0204
Divers Power Supply and Interconnection Cords 10 A	6003.0205
Divers Power Supply and Interconnection Cords 10 A	6003.0215
Power Supply or Interconnection Cord further types to 5707	...