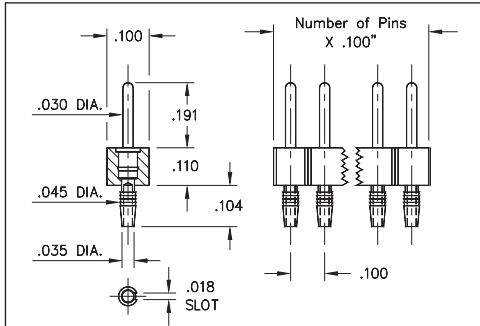
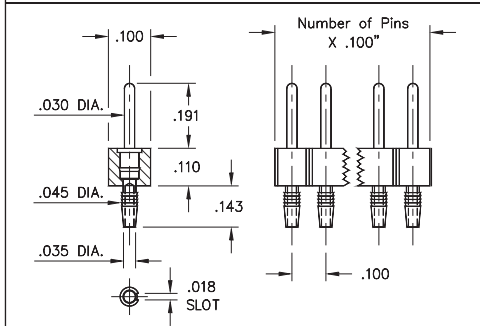


# INTERCONNECTS

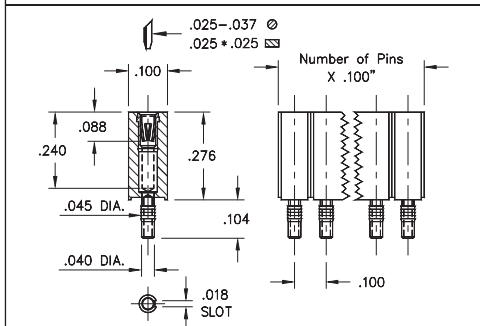
## SERIES 800 & 801 • .100" GRID (.030" DIA. PINS), SOLDERLESS PRESS-FIT • SINGLE ROW STRIPS



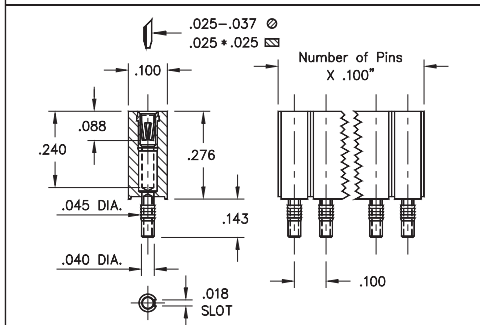
**FIG. 1**



**FIG. 2**

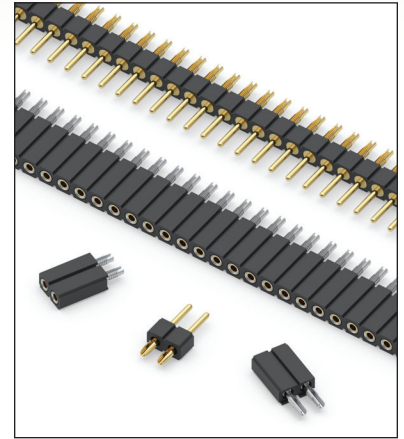


**FIG. 3**



**FIG. 4**

- The unique compliant tail pins conform to  $.040" \pm .003"$  finished hole without stressing inner layers. Patent No. 4,799,904
- Headers and sockets are available for board thicknesses of  $.060" - .100"$  and  $.090" - .130"$ . See ordering information for details
- Series 800 pin headers use MM #5601 and #5602 compliant tail pins featuring a  $.030"$  dia. mating lead. See page 220 for details
- Series 801 sockets MM #4614 or #4615 use Hi-Rel, 6-finger BeCu #47 contact rated at 4.5 amps. Receptacles accept  $.030"$  diameter pins &  $.025"$  square pins. See pg. 256 for details
- Insulators are high temperature thermoplastic



### ORDERING INFORMATION

<b>FIG. 1</b>	<b>Compliant Tail Pin Header for .060" - .100" Thick Boards</b>			
	800-XX-0__-61-001000 Specify number of pins      01-64			
<b>FIG. 2</b>	<b>Compliant Tail Pin Header for .090" - .130" Thick Boards</b>			
	800-XX-0__-62-001000 Specify number of pins      01-64			
<span style="margin-left: 100px;">XX=Plating Code See Below</span> <span style="margin-left: 100px;">For Electrical, Mechanical &amp; Environmental Data, See page 264</span>				
<b>SPECIFY PLATING CODE XX=</b>				
Pin Plating				
	10	90	40	
	$10 \mu\text{Au}$	$200 \mu\text{Sn/Pb}$	$200 \mu\text{Sn}$	

<b>FIG. 3</b>	<b>Compliant Tail Socket for .060" - .100" Thick Boards</b>					
	801-XX-0__-61-001000 Specify number of pins      01-50					
<b>FIG. 4</b>	<b>Compliant Tail Socket for .090" - .130" Thick Boards</b>					
	801-XX-0__-62-001000 Specify number of pins      01-50					
<span style="margin-left: 100px;">XX=Plating Code See Below</span> <span style="margin-left: 100px;">For Electrical, Mechanical &amp; Environmental Data, See page 264</span>						
<b>SPECIFY PLATING CODE XX=</b>						
Sleeve (Pin)						
Contact (Clip)						
	91	93	99	41	43	
	$200 \mu\text{Sn/Pb}$	$200 \mu\text{Sn/Pb}$	$200 \mu\text{Sn/Pb}$	$200 \mu\text{Sn}$	$200 \mu\text{Sn}$	
	$10 \mu\text{Au}$	$30 \mu\text{Au}$	$100 \mu\text{Sn/Pb}$	$10 \mu\text{Au}$	$30 \mu\text{Au}$	



# Mouser Electronics

Authorized Distributor

Click to View Pricing, Inventory, Delivery & Lifecycle Information:

## Mill-Max:

[800-10-004-61-001000](#) [800-10-012-61-001000](#) [800-10-032-61-001000](#) [800-10-054-62-001000](#) [800-10-061-61-001000](#) [800-90-053-62-001000](#) [801-43-006-62-001000](#) [801-43-002-62-001000](#) [801-43-013-62-001000](#) [801-43-015-62-001000](#) [801-43-039-61-001000](#)