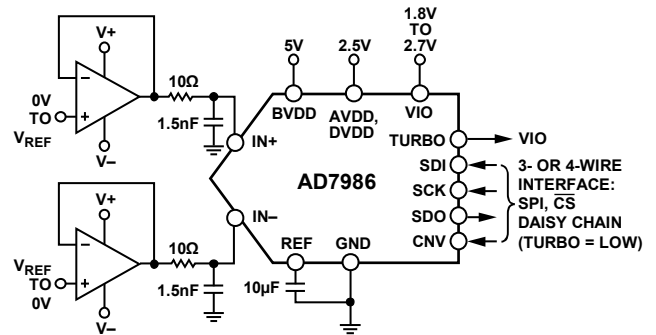


FEATURES

- 18-bit resolution with no missing codes**
- Throughput: 2 MSPS (TURBO = high), 1.5 MSPS (TURBO = low)**
- Low power dissipation**
 - 15 mW at 2 MSPS, with external reference
 - 26 mW at 2 MSPS with internal reference
- INL: ±1 LSB typical, ±2.5 LSB maximum**
- SNR**
 - 95.5 dB, with on-chip reference
 - 97.0 dB, with external reference
- 4.096 V internal reference: typical drift of 10 ppm/°C**
- True differential analog input voltage range: ±V_{REF}**
 - 0 V to V_{REF} with V_{REF} up to 5.0 V
 - Allows use of any input range
- No pipeline delay**
- Logic interface: 1.8 V/2.5 V/2.7 V**
- Proprietary serial interface: SPI-/QSPI™-/MICROWIRE™-/DSP-compatible**
- Ability to daisy-chain multiple ADCs with busy indicator**
- 20-lead 4 mm × 4 mm LFCSP**

APPLICATIONS

- Battery-powered equipment**
- Data acquisition systems**
- Medical instruments**
- Seismic data acquisition systems**

TYPICAL APPLICATION CIRCUIT


- NOTES**
1. GND REFERS TO REFVDD, AGND, AND DGND.

Figure 1.

GENERAL DESCRIPTION

The [AD7986](#)¹ is an 18-bit, 2 MSPS successive approximation, analog-to-digital converter (ADC). It contains a low power, high speed, 18-bit sampling ADC, an internal conversion clock, an internal reference (and buffer), error correction circuits, and a versatile serial interface port. On the rising edge of CNV, the [AD7986](#) samples the voltage difference between the IN+ and IN- pins. The voltages on these pins usually swing in opposite phases between 0 V and V_{REF}. It features a very high sampling rate turbo mode (TURBO = high) and a reduced power normal mode (TURBO = low) for low power applications where the power is scaled with the throughput.

In normal mode (TURBO = low), the SPI-compatible serial interface also features the ability, using the SDI input, to daisy-chain several ADCs on a single 3-wire bus and provide an optional busy indicator. It is compatible with 1.8 V, 2.5 V, and 2.7 V using the separate VIO supply.

The [AD7986](#) is available in a 20-lead LFCSP with operation specified from -40°C to +85°C.

¹ Protected by U.S. Patent 6,703,961.

Table 1. MSOP, LFCSP 14-/16-/18-Bit PuLSAR® ADCs

Type	100 kSPS	250 kSPS	400 kSPS to 500 kSPS	≥1000 kSPS	ADC Driver
14-Bit	AD7940	AD7942 ¹	AD7946 ¹		
16-Bit	AD7680	AD7685 ¹	AD7686 ¹	AD7980 ¹	ADA4941-1
	AD7683	AD7687 ¹	AD7688 ¹	AD7983 ¹	ADA4841-1
	AD7684	AD7694	AD7693 ¹		
18-Bit		AD7691 ¹	AD7690 ¹	AD7982 ¹	ADA4941-1
				AD7984 ¹	ADA4841-1
				AD7986	AD8021

¹ Pin for pin compatible.

Rev. D **Document Feedback**
 Information furnished by Analog Devices is believed to be accurate and reliable. However, no responsibility is assumed by Analog Devices for its use, nor for any infringements of patents or other rights of third parties that may result from its use. Specifications subject to change without notice. No license is granted by implication or otherwise under any patent or patent rights of Analog Devices. Trademarks and registered trademarks are the property of their respective owners.

One Technology Way, P.O. Box 9106, Norwood, MA 02062-9106, U.S.A.
 Tel: 781.329.4700 ©2009–2016 Analog Devices, Inc. All rights reserved.
Technical Support www.analog.com

TABLE OF CONTENTS

Features	1	Analog Inputs	15
Applications.....	1	Driver Amplifier Choice	15
Typical Application Circuit	1	Voltage Reference Input	16
General Description	1	Power Supply.....	16
Revision History	2	Digital Interface	17
Specifications.....	3	Data Reading Options	18
Timing Specifications	5	$\overline{\text{CS}}$ Mode, 3-Wire Without Busy Indicator	19
Absolute Maximum Ratings.....	6	$\overline{\text{CS}}$ Mode, 3-Wire with Busy Indicator	20
ESD Caution.....	6	$\overline{\text{CS}}$ Mode, 4-Wire Without Busy Indicator	21
Pin Configuration and Function Descriptions.....	7	$\overline{\text{CS}}$ Mode, 4-Wire with Busy Indicator	22
Typical Performance Characteristics	9	Chain Mode Without Busy Indicator	23
Terminology	12	Chain Mode with Busy Indicator	24
Theory of Operation	13	Application Hints	25
Circuit Information.....	13	Layout	25
Converter Operation.....	13	Evaluating the Performance of the AD7986.....	25
Conversion Modes of Operation.....	13	Outline Dimensions	27
Typical Connection Diagram	14	Ordering Guide	27

REVISION HISTORY

3/16—Rev. C to Rev. D

Changes to Figure 1 and Table 1	1
Change to Transition Noise Parameter, Table 2	3
Deleted Endnote 4, Table 2.....	3
Changes to Figure 4.....	8
Changes to Figure 23.....	14
Changes to Driver Amplifier Choice Section	15
Changes to Reference Decoupling Section	16
Changes to Reading During Conversion, Fast Host (Turbo or Normal Mode) Section and Split-Reading, Any Speed Host (Turbo or Normal Mode) Section	18
Changes to Figure 30.....	21
Changes to Figure 34.....	23
Changes to Evaluating the Performance of the AD7986 Section ..	25
Updated Outline Dimensions	27
Changes to Ordering Guide	27

8/14—Rev. B to Rev. C

Replaced QFN with LFCSP	Throughout
Changed Application Diagram Section to Typical Application Circuit Section	1
Change to Features Section	1
Added Patent Note, Note 2.....	1
Changed 5 V to 4.096 V, Analog Input Heading, Table 7	14
Changes to Evaluating the Performance of the AD7986 Section.....	25
Updated Outline Dimensions	27
Changes to Ordering Guide	27

3/11—Rev. A to Rev. B

Added Common-Mode Input Range Parameter, Table 2	3
--	---

8/10—Rev. 0 to Rev. A

Changes to Conversion Time: CNV Rising Edge to Data Available (Turbo Mode/Normal Mode) Parameter, Table 4.....	5
Changes to Figure 32.....	22

4/09—Revision 0: Initial Version

SPECIFICATIONS

AVDD = DVDD = 2.5 V, BVDD = 5 V, VIO = 1.8 V to 2.7 V, VREF = 4.096 V, TA = -40°C to +85°C, unless otherwise noted.

Table 2.

Parameter	Test Conditions/Comments	Min	Typ	Max	Unit
RESOLUTION		18			Bits
ANALOG INPUT					
Voltage Range	(IN+) – (IN–)	–VREF		+VREF	V
Absolute Input Voltage	IN+, IN–	–0.1		VREF + 0.1	V
Common-Mode Input Range	IN+, IN–	VREF × 0.475	VREF × 0.5	VREF × 0.525	V
Analog Input CMRR	fIN = 500 kHz		100		dB ¹
Leakage Current at 25°C	Acquisition phase		250		nA
Input Impedance		See the Analog Inputs section			
ACCURACY					
No Missing Codes		18			Bits
Differential Linearity Error		–0.95	±0.60	+1.50	LSB ²
Integral Linearity Error		–2.50	±1.00	+2.50	LSB ²
Transition Noise			1.4		LSB ²
Gain Error, TMIN to TMAX ³		–20	±2.4	+20	LSB ²
Gain Error Temperature Drift			±0.5		ppm/°C
Zero Error, TMIN to TMAX ³		–0.8		+0.8	mV
Zero Temperature Drift			±0.3		ppm/°C
Power Supply Sensitivity	AVDD = 2.5 V ± 5%		±4		LSB ²
THROUGHPUT					
Conversion Rate		0		2.00	MSPS
Transient Response	Full-scale step			100	ns
AC ACCURACY					
Dynamic Range	VREF = 4.096 V, internal reference	95.5	96.5		dB ¹
	VREF = 5.0 V, external reference	97	98		
Signal-to-Noise Ratio, SNR	fIN = 20 kHz, VREF = 4.096 V, internal reference	94.5	95.5		dB ¹
	fIN = 20 kHz, VREF = 5.0 V, external reference	96.5	97.0		dB ¹
Spurious-Free Dynamic Range, SFDR	fIN = 20 kHz		–115		dB ¹
Total Harmonic Distortion, THD	fIN = 20 kHz, VREF = 4.096 V, internal reference		–113		dB ¹
	fIN = 20 kHz, VREF = 5.0 V, external reference		–114		dB ¹
Signal-to-(Noise + Distortion), SINAD	fIN = 20 kHz, VREF = 4.096 V	94.5	95.5		dB ¹
SAMPLING DYNAMICS					
–3 dB Input Bandwidth			19		MHz
Aperture Delay			0.7		ns

¹ All specifications expressed in decibels are referred to a full-scale input FSR and tested with an input signal at 0.5 dB below full scale, unless otherwise specified.

² LSB means least significant bit. With the 4.096 V input range, one LSB is 31.25 μV.

³ See the Terminology section. These specifications include full temperature range variation but not the error contribution from the external reference.

AVDD = DVDD = 2.5 V, BVDD = 5 V, VIO = 1.8 V to 2.7 V, V_{REF} = 4.096 V, T_A = -40°C to +85°C, unless otherwise noted.

Table 3.

Parameter	Test Conditions/Comments	Min	Typ	Max	Unit
INTERNAL REFERENCE	PDREF = low				
Output Voltage	T _A = 25°C	4.081	4.096	4.111	V
Temperature Drift	-40°C to +85°C		±10		ppm/°C
Line Regulation	AVDD = 2.5 V ± 5%		±50		ppm/V
Turn-On Settling Time	C _{REF} = 10 μF, C _{REFBUFIN} = 0.1 μF		220		ms
REFIN Output Voltage	REFIN at 25°C		1.2		V
REFIN Output Resistance			7.5		kΩ
EXTERNAL REFERENCE	PDREF = high, REFIN = low				
Voltage Range		2.4		5.1	V
Current Drain	2 MSPS, V _{REF} = 5.0 V		500		μA
REFERENCE BUFFER					
REFIN Input Voltage Range			1.2		V
REFIN Input Current			160		μA
DIGITAL INPUTS					
Logic Levels					
V _{IL}		-0.3		+0.1 × VIO	V
V _{IH}		+0.9 × VIO		VIO + 0.3	V
I _{IL}		-1		+1	μA
I _{IH}		-1		+1	μA
DIGITAL OUTPUTS					
Data Format		Serial, 18 bits, twos complement			
Pipeline Delay		Conversion results available immediately after completed conversion			
V _{OL}	I _{SINK} = +500 μA			0.4	V
V _{OH}	I _{SOURCE} = -500 μA	VIO - 0.3			V
POWER SUPPLIES					
AVDD, DVDD		2.375	2.5	2.625	V
BVDD		4.75	5.0	5.25	V
VIO	Specified performance	1.8	2.5	2.7	V
VIO Range					V
Standby Current ^{1, 2}	AVDD = DVDD = VIO = 2.5 V, BVDD = 5.0 V		2.25		μA
Power Dissipation					
With Internal Reference	2 MSPS throughput		29	34	mW
Without Internal Reference	2 MSPS throughput		15	16.5	mW
With Internal Reference	1.5 MSPS throughput		26	30	mW
Without Internal Reference	1.5 MSPS throughput		11.5	13	mW
TEMPERATURE RANGE ³					
Specified Performance	T _{MIN} to T _{MAX}	-40		+85	°C

¹ With all digital inputs forced to VIO or GND as required.

² During acquisition phase.

³ Contact an Analog Devices, Inc., sales representative for the extended temperature range.

TIMING SPECIFICATIONS

AVDD = DVDD = 2.5 V, BVDD = 5 V, VIO = 1.8 V to 2.7 V, VREF = 4.096 V, TA = -40°C to +85°C, unless otherwise noted.¹

Table 4.

Parameter	Symbol	Min	Typ	Max	Unit
Conversion Time: CNV Rising Edge to Data Available (Turbo Mode/Normal Mode) Acquisition Time	t _{CONV}			400/500	ns
Time Between Conversions (Turbo Mode/Normal Mode)	t _{ACQ}	100			ns
CNV Pulse Width (\overline{CS} Mode)	t _{CYC}	500/660			ns
Data Read During Conversion (Turbo Mode/Normal Mode)	t _{CNVH}	10			ns
Quiet Time During Acquisition from Last SCK Falling Edge to CNV Rising Edge	t _{DATA}			200/300	ns
SCK Period (\overline{CS} Mode)	t _{QUIET}	20			ns
SCK Period (Chain Mode)	t _{SCK}	9			ns
SCK Low Time	t _{SCK}	11			ns
SCK High Time	t _{SCKL}	3.5			ns
SCK Falling Edge to Data Remains Valid	t _{SCKH}	3.5			ns
SCK Falling Edge to Data Valid Delay	t _{HSDO}	2			ns
CNV or SDI Low to SDO D17 MSB Valid (\overline{CS} Mode)	t _{DSDO}			6	ns
CNV or SDI High or Last SCK Falling Edge to SDO High Impedance (\overline{CS} Mode)	t _{EN}			10	ns
SDI Valid Setup Time from CNV Rising Edge	t _{DIS}			8	ns
SDI Valid Hold Time from CNV Rising Edge (\overline{CS} Mode)	t _{SSDICNV}	4			ns
SDI Valid Hold Time from CNV Rising Edge (Chain Mode)	t _{HSDICNV}	0			ns
SCK Valid Setup Time from CNV Rising Edge (Chain Mode)	t _{HSDICNV}	0			ns
SCK Valid Hold Time from CNV Rising Edge (Chain Mode)	t _{SSCKCNV}	5			ns
SDI Valid Setup Time from SCK Falling Edge (Chain Mode)	t _{HSCKCNV}	5			ns
SDI Valid Hold Time from SCK Falling Edge (Chain Mode)	t _{SSDISCK}	2			ns
SDI High to SDO High (Chain Mode with Busy Indicator)	t _{HSDISCK}	3			ns
	t _{DSDOSDI}			5	ns

¹ See Figure 2 and Figure 3 for load conditions.

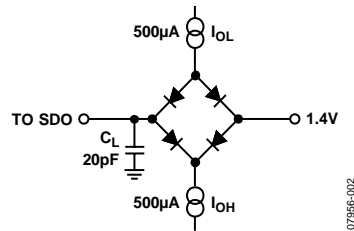
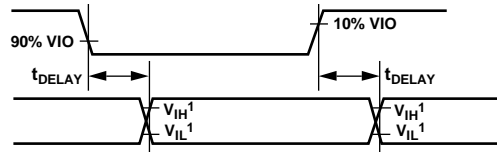


Figure 2. Load Circuit for Digital Interface Timing



¹MINIMUM VIH¹ AND MAXIMUM VIL¹ USED. SEE DIGITAL INPUTS SPECIFICATIONS IN TABLE 3.

Figure 3. Voltage Levels for Timing

ABSOLUTE MAXIMUM RATINGS

Table 5.

Parameter	Rating
Analog Inputs	
IN+, IN– to GND ¹	–0.3 V to $V_{REF} + 0.3$ V or ± 130 mA
Supply Voltage	
REF, BVDD to GND, REFGND	–0.3 V to +6.0 V
AVDD, DVDD, VIO to GND	–0.3 V to +2.7 V
AVDD and DVDD to VIO	+3 V to –6 V
Digital Inputs to GND	–0.3 V to VIO + 0.3 V
Digital Outputs to GND	–0.3 V to VIO + 0.3 V
Storage Temperature Range	–65°C to +150°C
Junction Temperature	150°C
θ_{JA} Thermal Impedance	
20-Lead LFCSP	30.4°C/W
Lead Temperatures	
Vapor Phase (60 sec)	215°C
Infrared (15 sec)	220°C

¹ See the Analog Inputs section for an explanation of IN+ and IN–.

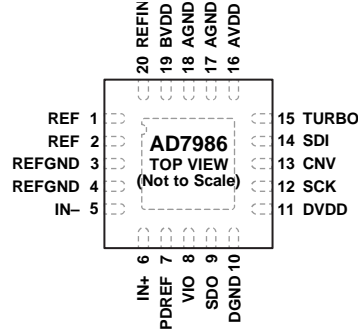
Stresses at or above those listed under Absolute Maximum Ratings may cause permanent damage to the product. This is a stress rating only; functional operation of the product at these or any other conditions above those indicated in the operational section of this specification is not implied. Operation beyond the maximum operating conditions for extended periods may affect product reliability.

ESD CAUTION



ESD (electrostatic discharge) sensitive device. Charged devices and circuit boards can discharge without detection. Although this product features patented or proprietary protection circuitry, damage may occur on devices subjected to high energy ESD. Therefore, proper ESD precautions should be taken to avoid performance degradation or loss of functionality.

PIN CONFIGURATION AND FUNCTION DESCRIPTIONS



NOTES

1. THE EXPOSED PAD IS NOT CONNECTED INTERNALLY. FOR INCREASED RELIABILITY OF THE SOLDER JOINTS, IT IS RECOMMENDED THAT THE PAD BE SOLDERED TO THE SYSTEM GROUND PLANE.

07986-004

Figure 4. Pin Configuration

Table 6. Pin Function Descriptions

Pin No.	Mnemonic	Type ¹	Description
1, 2	REF	AI	Reference Output/Input Voltage. When PDREF = low, the internal reference and buffer are enabled, producing 4.096 V on this pin. When PDREF = high, the internal reference and buffer are disabled, allowing an externally supplied voltage reference up to 5.0 V. Decoupling is required with or without the internal reference and buffer. This pin is referred to the REFGND pins and must be decoupled closely to the REFGND pins with a 10 μ F capacitor.
3, 4	REFGND	AI	Reference Input Analog Ground.
5	IN-	AI	Differential Negative Analog Input.
6	IN+	AI	Differential Positive Analog Input.
7	PDREF	DI	Internal Reference Power-Down Input. When low, the internal reference is enabled. When high, the internal reference is powered down and an external reference must be used.
8	VIO	P	Input/Output Interface Digital Power. Nominally at the same supply as the host interface (1.8 V, 2.5 V, or 2.7 V).
9	SDO	DO	Serial Data Output. The conversion result is output on this pin. It is synchronized to SCK.
10	DGND	P	Digital Power Ground.
11	DVDD	P	Digital Power. Nominally at 2.5 V.
12	SCK	DI	Serial Data Clock Input. When the device is selected, the conversion result is shifted out by this clock.
13	CNV	DI	Convert Input. This input has multiple functions. On the leading edge, it initiates the conversions and selects the interface mode of the device: chain mode or CS mode. In CS mode, the SDO pin is enabled when CNV is low. In chain mode, the data must be read when CNV is high.
14	SDI	DI	Serial Data Input. This input provides multiple features. It selects the interface mode of the ADC as follows: Chain mode is selected if SDI is low during the CNV rising edge. In this mode, SDI is used as a data input to daisy-chain the conversion results of two or more ADCs onto a single SDO line. The digital data level on SDI is output on SDO with a delay of 18 SCK cycles. CS mode is selected if SDI is high during the CNV rising edge. In this mode, either SDI or CNV can enable the serial output signals when low. If SDI or CNV is low when the conversion is complete, the busy indicator feature is enabled.
15	TURBO	DI	Conversion Mode Selection. When TURBO = high, the maximum throughput (2 MSPS) is achieved. The ADC does not power down between conversions. When TURBO = low, the maximum throughput is lower (1.5 MSPS). The ADC powers down between conversions.
16	AVDD	P	Input Analog Power. Nominally at 2.5 V.
17,18	AGND	P	Analog Power Ground.

Pin No.	Mnemonic	Type ¹	Description
19	BVDD	P	Reference buffer power. Nominally 5.0V. If an external reference buffer is used to achieve the maximum SNR performance with 5 V reference, the reference buffer must be powered down by connecting the REFIN pin to ground. The external reference buffer must be connected to the BVDD pin.
20	REFIN	AI/O	Internal Reference Output/Reference Buffer Input. When PDREF = low, the internal band gap reference produces a 1.2 V (typical) voltage on this pin, which needs external decoupling (0.1 μ F typical). When PDREF = high, use an external reference to provide a 1.2 V (typical) to this pin. When PDREF = high, and REFIN = low, the on-chip reference buffer and band gap are powered down. An external reference must be connected to REF and BVDD.
21 (EPAD)	Exposed Pad	EP	The exposed pad is not connected internally. For increased reliability of the solder joints, it is recommended that the pad be soldered to the system ground plane.

¹ AI = analog input, AI/O = bidirectional analog; DI = digital input, DO = digital output, and P = power.

TYPICAL PERFORMANCE CHARACTERISTICS

AVDD = DVDD = VIO = 2.5 V, BVDD = 5.0 V, VREF = 5.0 V, external reference (PDREF = high, REFIN = low), unless otherwise noted.

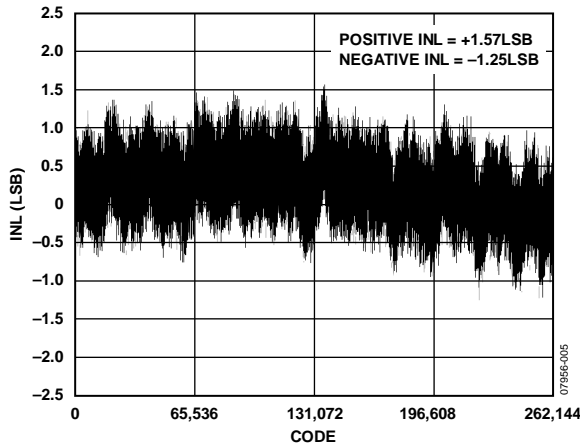


Figure 5. Integral Nonlinearity vs. Code

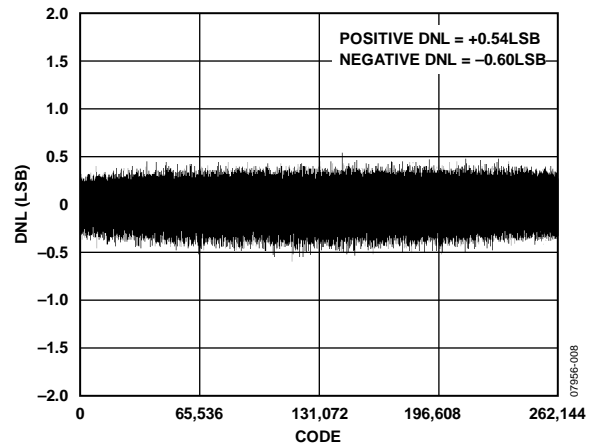


Figure 8. Differential Nonlinearity vs. Code

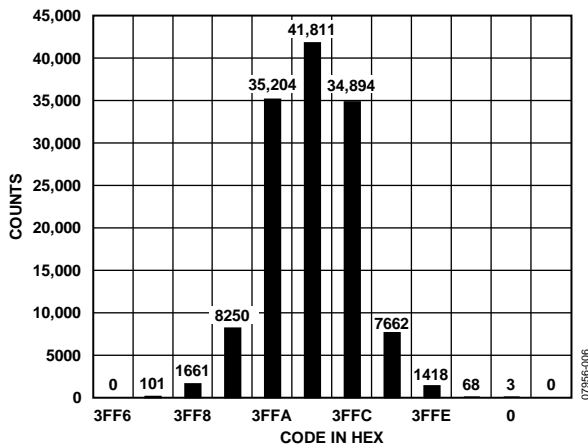


Figure 6. Histogram of DC Input at Code Center (External Reference)

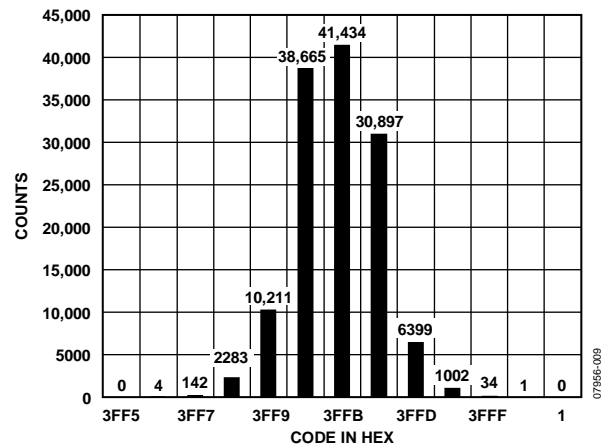


Figure 9. Histogram of DC Input at Code Transition (External Reference)

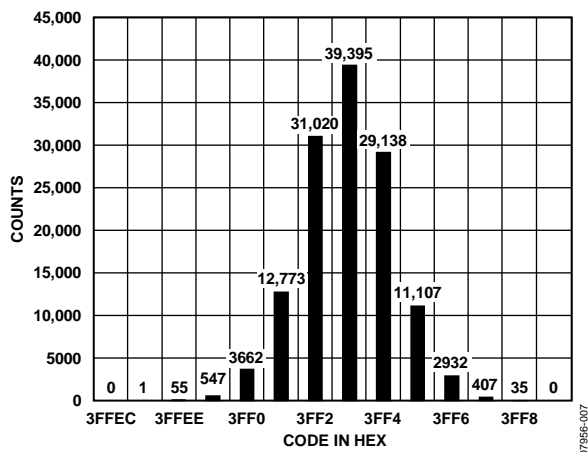


Figure 7. Histogram of DC Input at Code Center (Internal Reference)

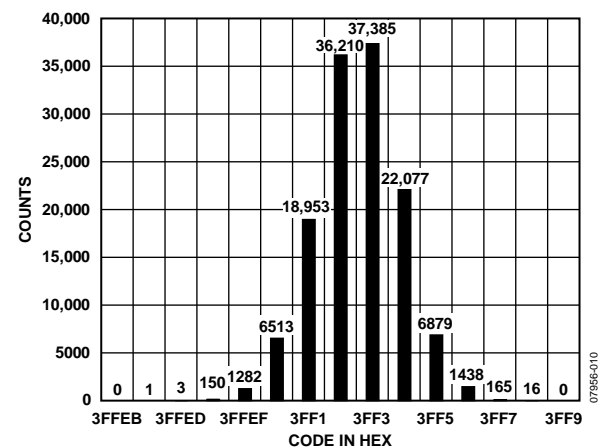


Figure 10. Histogram of DC Input at Code Transition (Internal Reference)

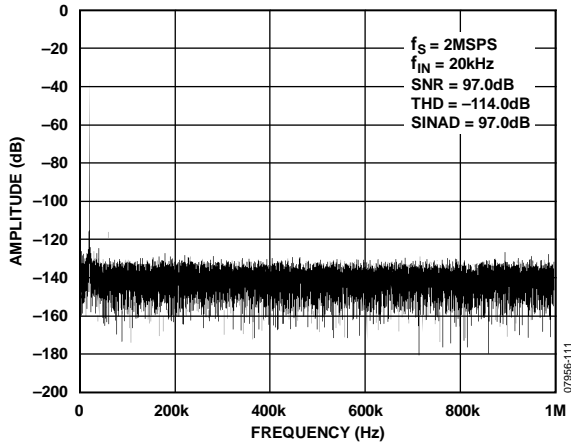


Figure 11. FFT Plot (External Reference)

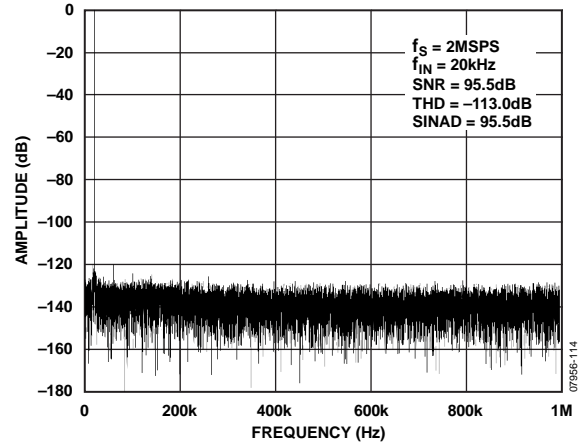


Figure 14. FFT Plot (Internal Reference)

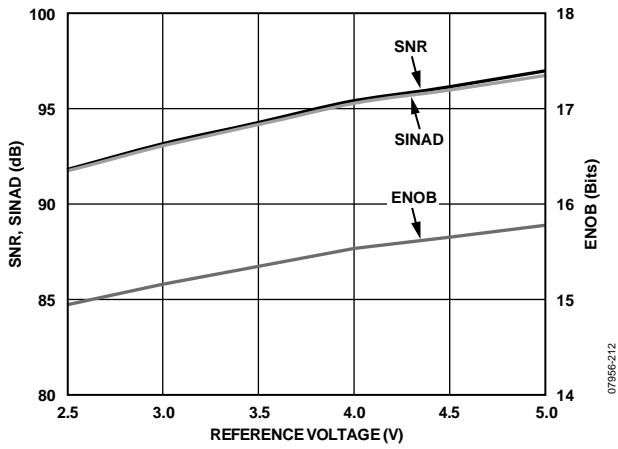


Figure 12. SNR, SINAD, and ENOB vs. Reference Voltage

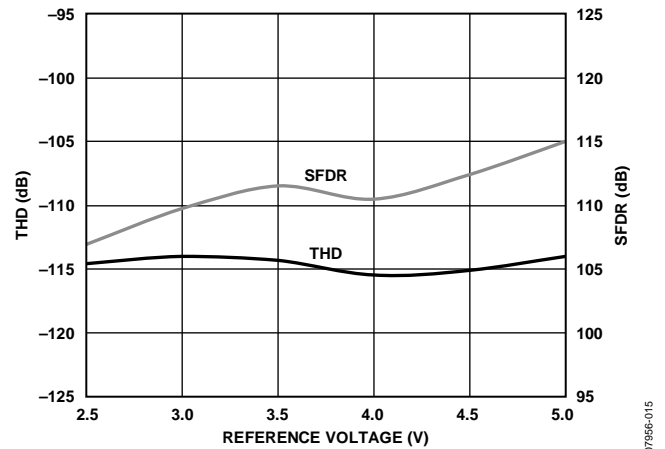


Figure 15. THD and SFDR vs. Reference Voltage

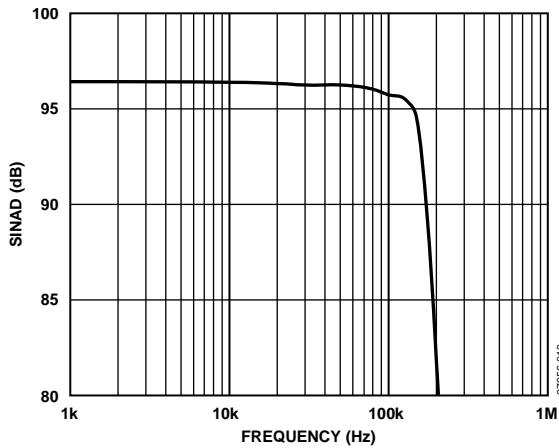


Figure 13. SINAD vs. Frequency

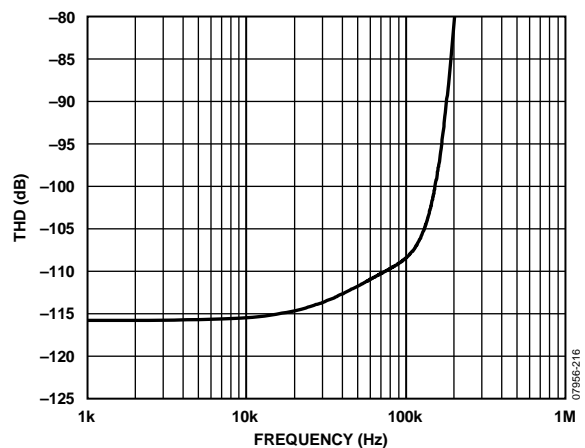


Figure 16. THD vs. Frequency

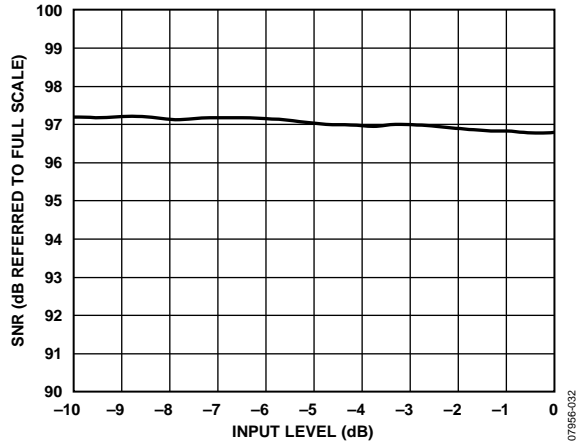


Figure 17. SNR vs. Input Level

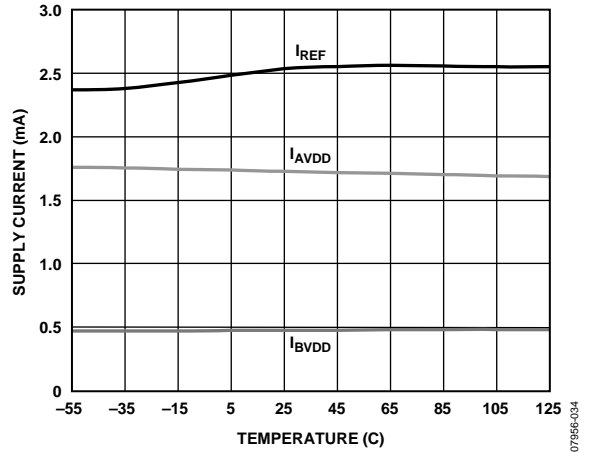


Figure 19. Operating Currents vs. Temperature

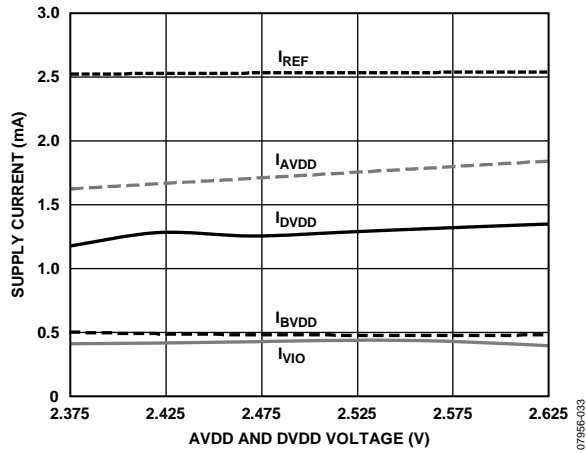


Figure 18. Operating Currents vs. Supply Voltage

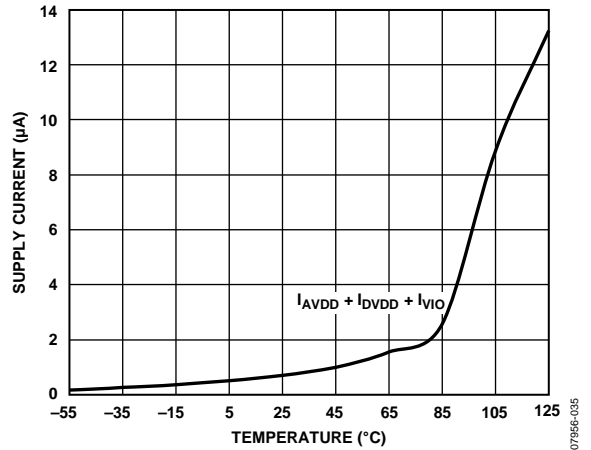


Figure 20. Power-Down Currents vs. Temperature

TERMINOLOGY

Integral Nonlinearity Error (INL)

INL refers to the deviation of each individual code from a line drawn from negative full scale through positive full scale. The point used as negative full scale occurs $\frac{1}{2}$ LSB before the first code transition. Positive full scale is defined as a level $1\frac{1}{2}$ LSB beyond the last code transition. The deviation is measured from the middle of each code to the true straight line (see Figure 22).

Differential Nonlinearity Error (DNL)

In an ideal ADC, code transitions are 1 LSB apart. DNL is the maximum deviation from this ideal value. It is often specified in terms of resolution for which no missing codes are guaranteed.

Zero Error

Zero error is the difference between the ideal midscale voltage, that is, 0 V, from the actual voltage producing the midscale output code, that is, 0 LSB.

Gain Error

The first transition (from 100 ... 00 to 100 ... 01) must occur at a level $\frac{1}{2}$ LSB above nominal negative full scale (-4.095984 V for the ± 4.096 V range). The last transition (from 011 ... 10 to 011 ... 11) must occur for an analog voltage $1\frac{1}{2}$ LSB below the nominal full scale ($+4.095953$ V for the ± 5 V range). The gain error is the deviation of the difference between the actual level of the last transition and the actual level of the first transition from the difference between the ideal levels.

Spurious-Free Dynamic Range (SFDR)

SFDR is the difference, in decibels (dB), between the rms amplitude of the input signal and the peak spurious signal.

Effective Number of Bits (ENOB)

ENOB is a measurement of the resolution with a sine wave input. It is related to SINAD as follows:

$$ENOB = (SINAD_{dB} - 1.76)/6.02$$

and is expressed in bits.

Noise-Free Code Resolution

Noise-free code resolution is the number of bits beyond which it is impossible to distinctly resolve individual codes. It is calculated as

$$\text{Noise-Free Code Resolution} = \log_2(2^N / \text{Peak-to-Peak Noise})$$

and is expressed in bits.

Effective Resolution

Effective resolution is calculated as

$$\text{Effective Resolution} = \log_2(2^N / \text{RMS Input Noise})$$

and is expressed in bits.

Total Harmonic Distortion (THD)

THD is the ratio of the rms sum of the first five harmonic components to the rms value of a full-scale input signal and is expressed in decibels.

Dynamic Range

Dynamic range is the ratio of the rms value of the full scale to the total rms noise measured with the inputs shorted together. The value for dynamic range is expressed in decibels. It is measured with a signal at -60 dBFS so that it includes all noise sources and DNL artifacts.

Signal-to-Noise Ratio (SNR)

SNR is the ratio of the rms value of the actual input signal to the rms sum of all other spectral components below the Nyquist frequency, excluding harmonics and dc. The value for SNR is expressed in decibels.

Signal-to-(Noise + Distortion) (SINAD)

SINAD is the ratio of the rms value of the actual input signal to the rms sum of all other spectral components that are less than the Nyquist frequency, including harmonics but excluding dc. The value of SINAD is expressed in decibels.

Aperture Delay

Aperture delay is the measure of the acquisition performance and is the time between the rising edge of the CNV input and when the input signal is held for a conversion.

Transient Response

Transient response is the time required for the ADC to accurately acquire the input after a full-scale step function is applied.

THEORY OF OPERATION

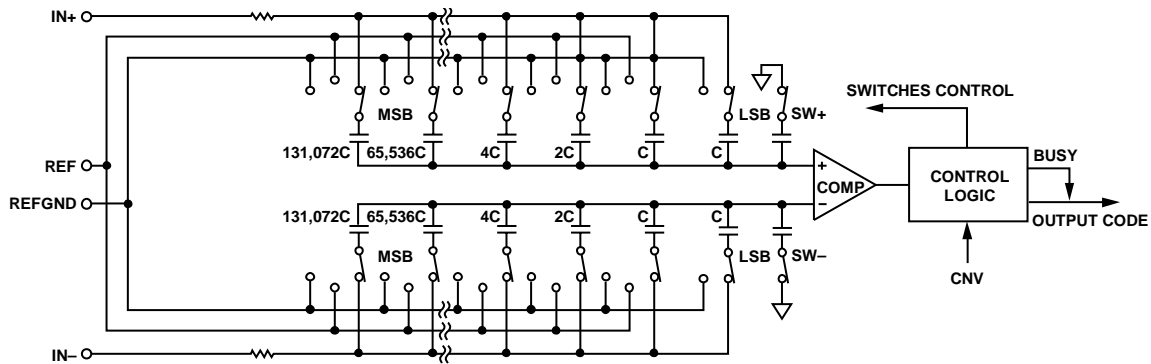


Figure 21. ADC Simplified Schematic

CIRCUIT INFORMATION

The **AD7986** is a fast, low power, single-supply, precise, 18-bit ADC using a successive approximation architecture. The **AD7986** features different modes to optimize performance according to the application. In turbo mode, the **AD7986** is capable of converting 2,000,000 samples per second (2 MSPS).

The **AD7986** provides the user with an on-chip track-and-hold and does not exhibit any pipeline delay or latency, making it ideal for multiple multiplexed channel applications.

The **AD7986** can be interfaced to any 1.8 V to 2.7 V digital logic family. It is available in a 20-lead LFCSP that allows space savings and flexible configurations.

CONVERTER OPERATION

The **AD7986** is a successive approximation ADC based on a charge redistribution DAC. Figure 21 shows the simplified schematic of the ADC. The capacitive DAC consists of two identical arrays of 18 binary-weighted capacitors that are connected to the two comparator inputs.

During the acquisition phase, terminals of the array tied to the input of the comparator are connected to AGND via SW+ and SW-. All independent switches are connected to the analog inputs. Therefore, the capacitor arrays are used as sampling capacitors and acquire the analog signal on the IN+ and IN- inputs.

When the acquisition phase is complete and the CNV input goes high, a conversion phase is initiated. When the conversion phase begins, SW+ and SW- are opened first. The two capacitor arrays are then disconnected from the analog inputs and connected to the REF and REFND inputs. Therefore, the differential voltage between Input IN+ and Input IN- captured at the end of the acquisition phase is applied to the comparator inputs, causing the comparator to become unbalanced. By switching each element of the capacitor array between REF and REFND, the comparator input varies by binary-weighted voltage steps ($V_{REF}/2, V_{REF}/4 \dots V_{REF}/262,144$). The control logic toggles these switches, starting with the MSB, to bring the comparator back into a balanced condition. After the completion of this process, the device returns to the acquisition phase, and the control logic generates the ADC output code and a busy signal indicator.

Because the **AD7986** has an on-board conversion clock, the serial clock, SCK, is not required for the conversion process.

CONVERSION MODES OF OPERATION

The **AD7986** features two conversion modes of operation: turbo and normal. Turbo conversion mode (TURBO = high) allows the fastest conversion rate of up to 2 MSPS, and does not power down between conversions. The first conversion in turbo mode must be ignored because it contains meaningless data. For applications that require lower power and slightly slower sampling rates, the normal mode (TURBO = low) allows a maximum conversion rate of 1.5 MSPS, and powers down between conversion. The first conversion in normal mode does contain meaningful data.

Transfer Functions

The ideal transfer function for the AD7986 is shown in Figure 22 and Table 7.

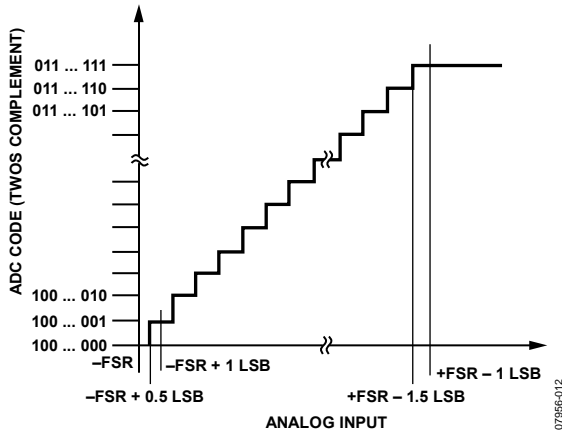


Figure 22. ADC Ideal Transfer Function

Table 7. Output Codes and Ideal Input Voltages

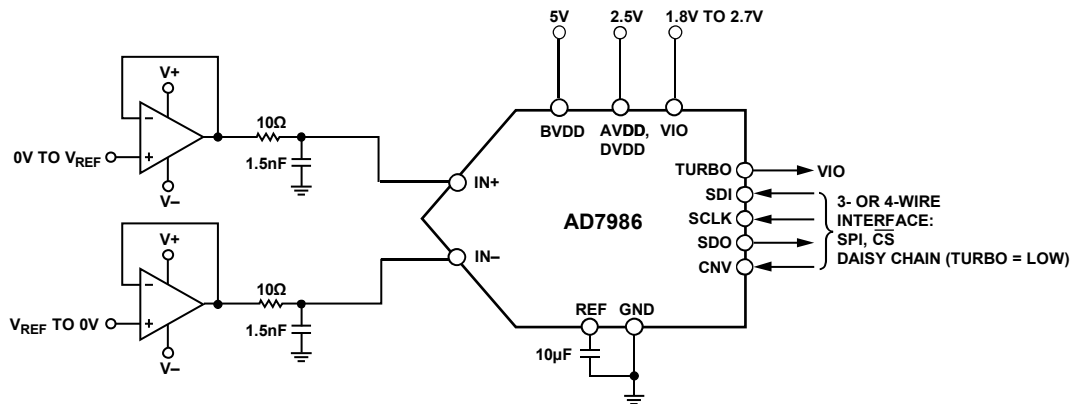
Description	Analog Input $V_{REF} = 4.096\text{ V}$	Digital Output Code (Hex)
FSR - 1 LSB	+4.095969 V	0x1FFFF ¹
Midscale + 1 LSB	+31.25 μV	0x00001
Midscale	0 V	0x00000
Midscale - 1 LSB	-31.25 μV	0x3FFFF
-FSR + 1 LSB	-4.095969 V	0x20001
-FSR	-4.096 V	0x20000 ²

¹ This is also the code for an overranged analog input ($V_{IN+} - V_{IN-}$ above $V_{REF} - \text{REFGND}$).

² This is also the code for an underranged analog input ($V_{IN+} - V_{IN-}$ below REFGND).

TYPICAL CONNECTION DIAGRAM

Figure 23 shows an example of the recommended connection diagram for the AD7986 when multiple supplies are available.



NOTES
1. GND REFERS TO REFGND, AGND, AND DGND.

Figure 23. Typical Application Diagram with Multiple Supplies

ANALOG INPUTS

Figure 24 shows an equivalent circuit of the input structure of the AD7986.

The two diodes, D1 and D2, provide ESD protection for the analog inputs, IN+ and IN-. Take care to ensure the analog input signal does not exceed the reference input voltage (REF) by more than 0.3 V. If the analog input signal exceeds this level, the diodes become forward-biased and start conducting current. These diodes can handle a forward-biased current of 130 mA maximum. However, if the supplies of the input buffer (for example, the V+ and V- supplies of the buffer amplifier in Figure 23) are different from those of REF, the analog input signal may eventually exceed the supply rails by more than 0.3 V. In such a case (for example, an input buffer with a short circuit), the current limitation can protect the device.

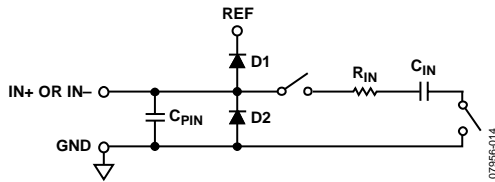


Figure 24. Equivalent Analog Input Circuit

The analog input structure allows the sampling of the true differential signal between IN+ and IN-. By using these differential inputs, signals common to both inputs are rejected.

During the acquisition phase, the impedance of the analog inputs (IN+ or IN-) can be modeled as a parallel combination of Capacitor C_{PIN} and the network formed by the series connection of Resistor R_{IN} and Capacitor C_{IN}. Capacitor C_{PIN} is primarily the pin capacitance. Resistor R_{IN} is typically 400 Ω and is a lumped component composed of serial resistors and the on resistance of the switches. Capacitor C_{IN} is typically 30 pF and is mainly the ADC sampling capacitor.

During the sampling phase, where the switches are closed, the input impedance is limited to Capacitor C_{PIN}. Resistor R_{IN} and Capacitor C_{IN} make a one-pole, low-pass filter that reduces undesirable aliasing effects and limits noise.

When the source impedance of the driving circuit is low, the AD7986 can be driven directly. Large source impedances significantly affect the ac performance, especially THD. The dc performances are less sensitive to the input impedance. The maximum source impedance depends on the amount of THD that can be tolerated. The THD degrades as a function of the source impedance and the maximum input frequency.

DRIVER AMPLIFIER CHOICE

Although the AD7986 is easy to drive, the driver amplifier must meet the following requirements:

- The noise generated by the driver amplifier must be kept as low as possible to preserve the SNR and transition noise performance of the AD7986. The noise from the driver is filtered by the AD7986 analog input circuit one-pole, low-pass filter, made by R_{IN} and C_{IN} or by the external filter if one is used. Because the typical noise of the AD7986 is 44 μV rms, the SNR degradation due to the amplifier is

$$SNR_{LOSS} = 20 \log \left(\frac{44}{\sqrt{44^2 + \frac{\pi}{2} f_{-3dB} (Ne_N)^2}} \right)$$

where:

f_{-3dB} is the input bandwidth, in megahertz, of the AD7986 (19 MHz) or the cutoff frequency of the input filter, if one is used.

N is the noise gain of the amplifier (for example, 1 in buffer configuration).

e_N is the equivalent input noise voltage of the operational amplifier, in nV/√Hz.

- For ac applications, the driver must have a THD performance commensurate with the AD7986.
- For multichannel multiplexed applications, the driver amplifier and the AD7986 analog input circuit must settle for a full-scale step onto the capacitor array at an 18-bit level (0.0004%, 4 ppm). In the data sheet of the driver amplifier, settling at 0.1% to 0.01% is more commonly specified. This may differ significantly from the settling time at an 18-bit level and must be verified prior to driver selection.

Table 8. Recommended Driver Amplifiers

Amplifier	Typical Application
AD8021	Very low noise and high frequency
AD8022	Low noise and high frequency
ADA4899-1	Ultralow noise and high frequency
AD8014	Low power and high frequency

VOLTAGE REFERENCE INPUT

The [AD7986](#) allows the choice of a very low temperature drift internal voltage reference, an external reference, or an external buffered reference.

The internal reference of the [AD7986](#) provides excellent performance and can be used in almost all applications.

Internal Reference, REF = 4.096V (PDREF = Low)

To use the internal reference, the PDREF input must be low. This enables the on-chip band gap reference and buffer, resulting in a 4.096 V reference on the REF pin (1.2 V on REFIN).

The internal reference is temperature compensated to 4.096 V \pm 15 mV. The reference is trimmed to provide a typical drift of 10 ppm/°C.

The output resistance of REFIN is 6 k Ω when the internal reference is enabled. It is necessary to decouple this pin with a ceramic capacitor of at least 100 nF. The output resistance of REFIN and the decoupling capacitor form an RC filter, which helps to reduce noise.

Because the output impedance of REFIN is typically 6 k Ω , relative humidity (among other industrial contaminants) can directly affect the drift characteristics of the reference. A guard ring typically reduces the effects of drift under such circumstances. However, the fine pitch of the [AD7986](#) makes this difficult to implement. One solution, in these industrial and other types of applications, is to use a conformal coating, such as Dow Corning® 1-2577 or HumiSeal® 1B73.

External 1.2 V Reference and Internal Buffer (PDREF = High)

To use an external reference along with the internal buffer, PDREF must be high. This powers down the internal reference and allows the 1.2 V reference to be applied to REFIN, producing 4.096 V (typically) on the REF pin.

External Reference (PDREF = High, REFIN = Low)

To apply an external reference voltage directly to the REF pin, PDREF must be tied high, and REFIN must be tied low. BVDD must also be driven to the same potential as REF. For example, if REF = 2.5 V, BVDD must be tied to 2.5 V.

The advantages of directly using the external voltage reference are:

- The SNR and dynamic range improvement (about 1.7 dB) resulting from the use of a larger reference voltage (5 V) instead of a typical 4.096 V reference when the internal reference is used. This is calculated by

$$SNR = 20 \log \left(\frac{4.096}{5.0} \right)$$

- The power savings when the internal reference is powered down (PDREF high).

Reference Decoupling

The [AD7986](#) voltage reference input, REF, has a dynamic input impedance that requires careful decoupling between the REF and REFGND pins. The Layout section describes how this can be done.

When using an external reference, a very low impedance source (for example, a reference buffer using the [AD8031](#) or the [AD8605](#)), and a 10 μ F (X5R, 0805 size) ceramic chip capacitor are appropriate for optimum performance.

If an unbuffered reference voltage is used, the decoupling value depends on the reference used. For instance, a 22 μ F (X5R, 1206 size) ceramic chip capacitor is appropriate for optimum performance using a low temperature drift [ADR434](#) reference.

If desired, a reference decoupling capacitor with values as small as 2.2 μ F can be used with minimal impact on performance, especially DNL.

Regardless, there is no need for an additional lower value ceramic decoupling capacitor (for example, 100 nF) between the REF and REFGND pins.

POWER SUPPLY

The [AD7986](#) uses four power supply pins: an analog supply (AVDD), a buffer supply (BVDD), a digital supply (DVDD), and a digital input/output interface supply (VIO). VIO allows direct interface with any logic between 1.8 V and 2.7 V. To reduce the number of supplies needed, VIO, DVDD, and AVDD can be tied together. The [AD7986](#) is independent of power supply sequencing among all of the supplies. Additionally, it is very insensitive to power supply variations over a wide frequency range.

DIGITAL INTERFACE

Although the AD7986 has a reduced number of pins, it offers flexibility in the serial interface modes.

When in $\overline{\text{CS}}$ mode, the AD7986 is compatible with SPI, MICROWIRE™, QSPI™, and digital hosts. In this mode, the AD7986 can use either a 3-wire or a 4-wire interface. A 3-wire interface using the CNV, SCK, and SDO signals minimizes wiring connections, which is useful, for instance, in isolated applications. A 4-wire interface using the SDI, CNV, SCK, and SDO signals allows CNV, which initiates conversions, to be independent of the readback timing (SDI). This is useful in low jitter sampling or simultaneous sampling applications.

When in chain mode, the AD7986 provides a daisy-chain feature using the SDI input for cascading multiple ADCs on a single data line similar to a shift register. Chain mode is only available in normal mode (TURBO = low).

The mode in which the device operates depends on the SDI level when the CNV rising edge occurs. The $\overline{\text{CS}}$ mode is selected if SDI is high, and the chain mode is selected if SDI is low. The SDI hold time is such that when SDI and CNV are connected together, the chain mode is always selected.

In normal mode operation, the AD7986 offers the option of forcing a start bit in front of the data bits. This start bit can be used as a busy signal indicator to interrupt the digital host and trigger the data reading. Otherwise, without a busy indicator, the user must time out the maximum conversion time prior to readback.

The busy indicator feature is enabled in $\overline{\text{CS}}$ mode if CNV or SDI is low when the ADC conversion ends (see Figure 28 and Figure 32), and TURBO must be kept low for both digital interfaces.

When CNV is low, reading can occur during conversion and acquisition, and when split across acquisition and conversion, as detailed in the following sections.

A discontinuous SCK is recommended because the device is selected with CNV low, and SCK activity begins to clock out data.

Note that in the following sections, the timing diagrams indicate digital activity (SCK, CNV, SDI, and SDO) during the conversion. However, due to the possibility of performance degradation, digital activity must occur only prior to the safe data reading time, t_{DATA} , because the AD7986 provides error correction circuitry that can correct for an incorrect bit decision during this time. From t_{DATA} to t_{CONV} , there is no error correction, and conversion results may be corrupted. Similarly, t_{QUIET} , the time from the last falling edge of SCK to the rising edge of CNV, must remain free of digital activity. The user must configure the AD7986 and initiate the busy indicator (if desired in normal mode) prior to t_{DATA} . It is also possible to corrupt the sample by having SCK near the sampling instant. Therefore, it is recommended to keep the digital pins quiet for approximately 20 ns before and 10 ns after the rising edge of CNV, using a discontinuous SCK whenever possible to avoid any potential performance degradation.

DATA READING OPTIONS

There are three different data reading options for the AD7986. There is the option to read during conversion, to split the read across acquisition and conversion (see Figure 25 and Figure 26), and in normal mode, to read during acquisition. The desired SCK frequency largely determines which reading option to pursue.

Reading During Conversion, Fast Hosts (Turbo or Normal Mode)

When reading during conversion (n), conversion results are for the previous (n – 1) conversion. Reading must only occur up to t_{DATA} and, because this time is limited, the host must use a fast SCK.

The required SCK frequency is calculated by

$$f_{SCK} \geq \frac{\text{Number_SCK_Edges}}{t_{DATA} - t_{CNVH} - t_{EN}}$$

To determine the SCK frequency, follow these examples to read data from conversion (n – 1).

Turbo mode (2 MSPS),

$$\text{Number_SCK_Edges} = 18; t_{DATA} = 200 \text{ ns}; t_{CNVH} = 10 \text{ ns}; t_{EN} = 10 \text{ ns}$$

$$f_{SCK} = 18 / (200 \text{ ns} - 10 \text{ ns} - 10 \text{ ns}) = 100 \text{ MHz}$$

Normal mode (1.5 MSPS),

$$\text{Number_SCK_Edges} = 18; t_{DATA} = 300 \text{ ns}; t_{CNVH} = 10 \text{ ns}; t_{EN} = 10 \text{ ns}$$

$$f_{SCK} = 18 / (300 \text{ ns} - 10 \text{ ns} - 10 \text{ ns}) = 64.3 \text{ MHz}$$

The time between t_{DATA} and t_{CONV} is an input/output quiet time where digital activity must not occur, or sensitive bit decisions may be corrupt.

Split-Reading, Any Speed Host (Turbo or Normal Mode)

To allow for slower SCK, there is the option of a split read where data access starts at the current acquisition (n) and spans into the conversion (n). Conversion results are for the previous (n – 1) conversion.

Similar to reading during conversion, split-reading must only occur up to t_{DATA} . For the maximum throughput, the only time restriction is that split-reading take place during the t_{ACQ} (minimum) + $t_{DATA} - t_{QUIET}$ time. The time between the falling edge of SCK and CNV rising is an acquisition quiet time, t_{QUIET} .

To determine how to split the read for a particular SCK frequency, follow these examples to read data from conversion (n – 1).

For turbo mode (2 MSPS),

$$f_{SCK} = 75 \text{ MHz}; t_{DATA} = 200 \text{ ns}; t_{CNVH} = 10 \text{ ns}; t_{EN} = 10 \text{ ns}$$

$$\text{Number_SCK_Edges} = 75 \text{ MHz} \times (200 \text{ ns} - 10 \text{ ns} - 10 \text{ ns}) = 13.5$$

Thirteen bits are read during conversion (n), and five bits are read during acquisition (n).

For normal mode (1.5 MSPS),

$$f_{SCK} = 50 \text{ MHz}; t_{DATA} = 300 \text{ ns}; t_{CNVH} = 10 \text{ ns}; t_{EN} = 10 \text{ ns}$$

$$\text{Number_SCK_Edges} = 50 \text{ MHz} \times (300 \text{ ns} - 10 \text{ ns} - 10 \text{ ns}) = 14$$

Fourteen bits are read during conversion (n), and four bits are read during acquisition (n).

For slow throughputs, the time restriction is dictated by the required throughput by the user, and the host is free to run at any speed. Similar to the reading during acquisition, for slow hosts, the data access must take place during the acquisition phase with additional time into the conversion.

Note that data access spanning conversion requires the CNV to be driven high to initiate a new conversion, and data access is not allowed when CNV is high. Thus, the host must perform two bursts of data access when using this method.

Reading During Acquisition, Any Speed Hosts (Turbo or Normal Mode)

When reading during acquisition (n), conversion results are for the previous (n – 1) conversion. Maximum throughput is achievable in normal mode (1.5 MSPS); however, in turbo mode, 2 MSPS throughput is not achievable.

For the maximum throughput, the only time restriction is that the reading takes place during the t_{ACQ} (minimum) time. For slow throughputs, the time restriction is dictated by throughput required by the user, and the host is free to run at any speed. Thus for slow hosts, data access must take place during the acquisition phase.

\overline{CS} MODE, 3-WIRE WITHOUT BUSY INDICATOR

This mode is usually used when a single AD7986 is connected to an SPI-compatible digital host. The connection diagram is shown in Figure 25, and the corresponding timing is given in Figure 26.

With SDI tied to VIO, a rising edge on CNV initiates a conversion, selects the \overline{CS} mode, and forces SDO to high impedance. Once a conversion is initiated, it continues until completion irrespective of the state of CNV.

This can be useful, for instance, to bring CNV low to select other SPI devices, such as analog multiplexers; however, CNV must be returned high before the minimum conversion time elapses and then held high for the maximum possible conversion time to avoid the generation of the busy signal indicator. When the conversion is complete, the AD7986 enters the acquisition phase and powers down. When CNV goes low, the MSB is output onto SDO. The remaining data bits are clocked by subsequent SCK falling edges. The data is valid on both SCK edges. Although the rising edge can capture the data, a digital host using the SCK falling edge allows a faster reading rate, provided that it has an acceptable hold time. After the 18th SCK falling edge or when CNV goes high (whichever occurs first), SDO returns to high impedance.

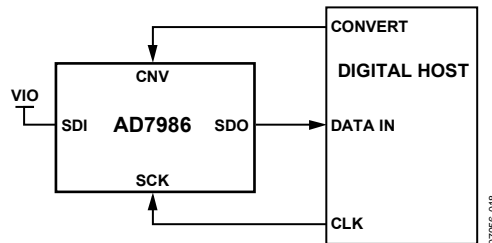


Figure 25. \overline{CS} Mode, 3-Wire Without Busy Indicator Connection Diagram (SDI High)

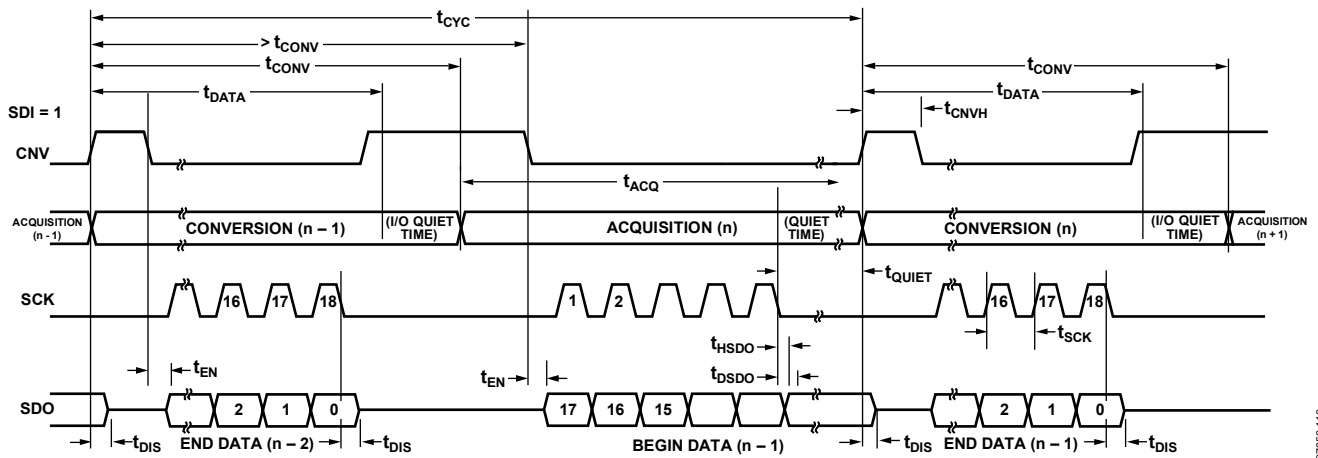


Figure 26. \overline{CS} Mode, 3-Wire Without Busy Indicator Serial Interface Timing (SDI High)

\overline{CS} MODE, 3-WIRE WITH BUSY INDICATOR

This mode is usually used when a single AD7986 is connected to an SPI-compatible digital host having an interrupt input. It is only available in normal conversion mode (TURBO = low).

The connection diagram is shown in Figure 27, and the corresponding timing is given in Figure 28.

With SDI tied to VIO, a rising edge on CNV initiates a conversion, selects the \overline{CS} mode, and forces SDO to high impedance. SDO is maintained in high impedance until the completion of the conversion irrespective of the state of CNV. Prior to the minimum conversion time, CNV can select other SPI devices, such as analog multiplexers, but CNV must be returned low before the minimum conversion time elapses and then held low for the maximum possible conversion time to guarantee the generation of the busy signal indicator.

When the conversion is complete, SDO goes from high impedance to low impedance. With a pull-up on the SDO line, this transition can be used as an interrupt signal to initiate the data reading controlled by the digital host. The AD7986 then enters the acquisition phase and powers down. The data bits are then clocked out, MSB first, by subsequent SCK falling edges. The data is valid on both SCK edges. Although the rising edge can capture the data, a digital host using the SCK falling edge allows a faster reading rate, provided that it has an acceptable hold time. After the optional 19th SCK falling edge, SDO returns to high impedance.

If multiple AD7986 devices are selected at the same time, the SDO output pin handles this contention without damage or induced latch-up. Meanwhile, it is recommended to keep this contention as short as possible to limit extra power dissipation.

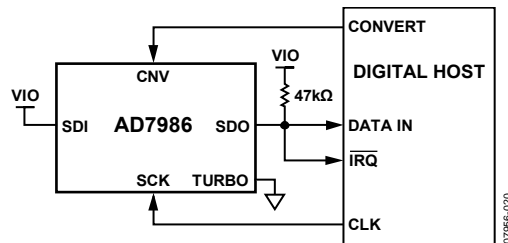


Figure 27. \overline{CS} Mode, 3-Wire with Busy Indicator Connection Diagram (SDI High)

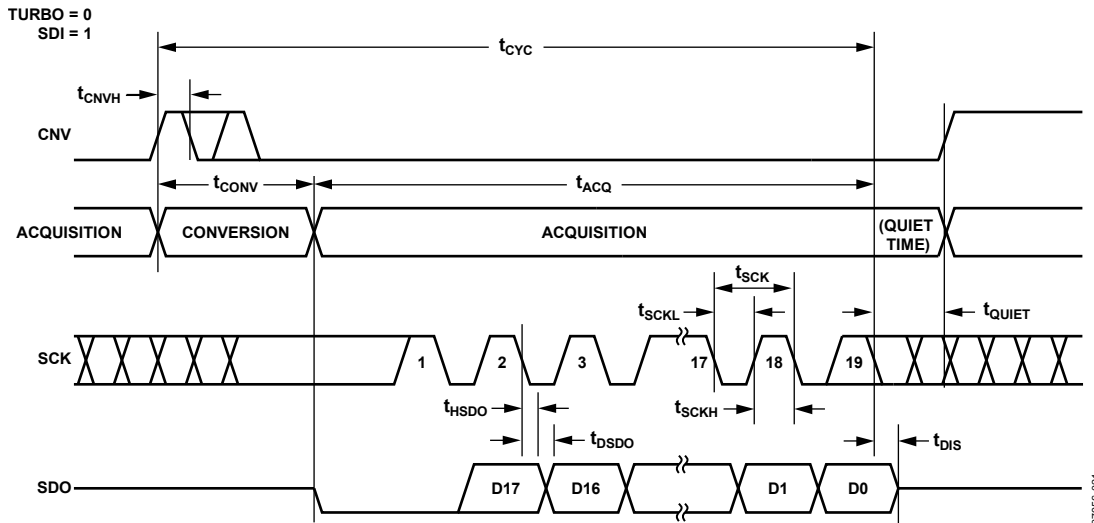


Figure 28. \overline{CS} Mode, 3-Wire with Busy Indicator Serial Interface Timing (SDI High)

\overline{CS} MODE, 4-WIRE WITHOUT BUSY INDICATOR

This mode is usually used when multiple AD7986 devices are connected to an SPI-compatible digital host.

A connection diagram example using two AD7986 devices is shown in Figure 29 and the corresponding timing is given in Figure 30.

With \overline{SDI} high, a rising edge on \overline{CNV} initiates a conversion, selects the \overline{CS} mode, and forces \overline{SDO} to high impedance. In this mode, \overline{CNV} must be held high during the conversion phase and the subsequent data readback. (If \overline{SDI} and \overline{CNV} are low, \overline{SDO} is driven low.)

Prior to the minimum conversion time, \overline{SDI} can select other SPI devices, such as analog multiplexers, but \overline{SDI} must be returned high before the minimum conversion time elapses and then held high for the maximum possible conversion time to avoid the generation of the busy signal indicator. When the conversion is complete, the AD7986 enters the acquisition phase and powers down. Each ADC result can be read by bringing the \overline{SDI} input low, which consequently outputs the MSB onto \overline{SDO} . The remaining data bits are then clocked by subsequent \overline{SCK} falling edges. The data is valid on both \overline{SCK} edges. Although the rising edge can capture the data, a digital host using the \overline{SCK} falling edge allows a faster reading rate, provided that it has an acceptable hold time. After the 18th \overline{SCK} falling edge, \overline{SDO} returns to high impedance and another AD7986 can be read.

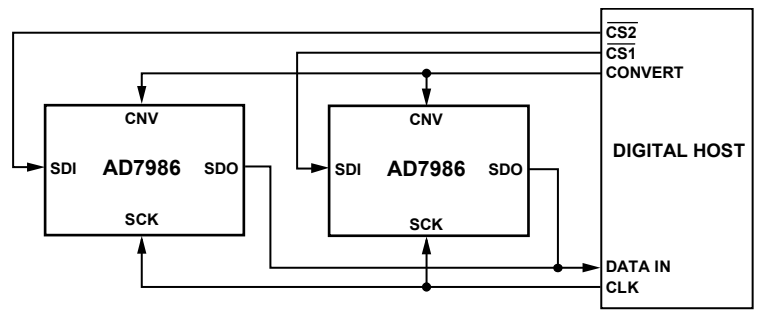


Figure 29. \overline{CS} Mode, 4-Wire Without Busy Indicator Connection Diagram

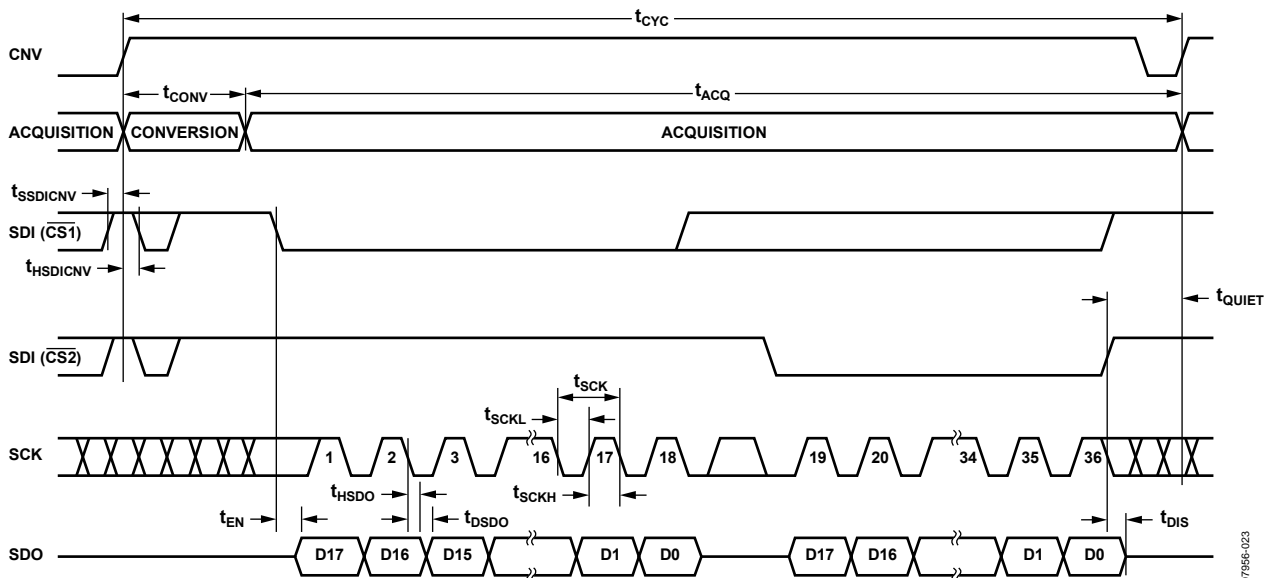


Figure 30. \overline{CS} Mode, 4-Wire Without Busy Indicator Serial Interface Timing

CS MODE, 4-WIRE WITH BUSY INDICATOR

This mode is usually used when a single AD7986 is connected to an SPI-compatible digital host with an interrupt input and when it is desired to keep CNV, which samples the analog input, independent of the signal that selects the data reading. This independence is particularly important in applications where low jitter on CNV is desired. This mode is only available in normal conversion mode (TURBO = low).

The connection diagram is shown in Figure 31, and the corresponding timing is given in Figure 32.

With SDI high, a rising edge on CNV initiates a conversion, selects the CS mode, and forces SDO to high impedance. In this mode, CNV must be held high during the conversion phase and the subsequent data readback. (If SDI and CNV are low, SDO is driven low.)

Prior to the minimum conversion time, SDI can select other SPI devices, such as analog multiplexers, but SDI must be returned low before the minimum conversion time elapses and then held low for the maximum possible conversion time to guarantee the generation of the busy signal indicator. When the conversion is complete, SDO goes from high impedance to low impedance. With a pull-up on the SDO line, this transition can be used as an interrupt signal to initiate the data readback controlled by the digital host. The AD7986 then enters the acquisition phase and powers down. The data bits are then clocked out, MSB first, by subsequent SCK falling edges. The data is valid on both SCK edges. Although the rising edge can capture the data, a digital host using the SCK falling edge allows a faster reading rate, provided that it has an acceptable hold time. After the optional 19th SCK falling edge or SDI going high (whichever occurs first), SDO returns to high impedance.

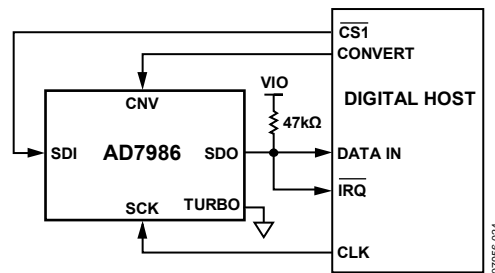


Figure 31. CS Mode, 4-Wire with Busy Indicator Connection Diagram

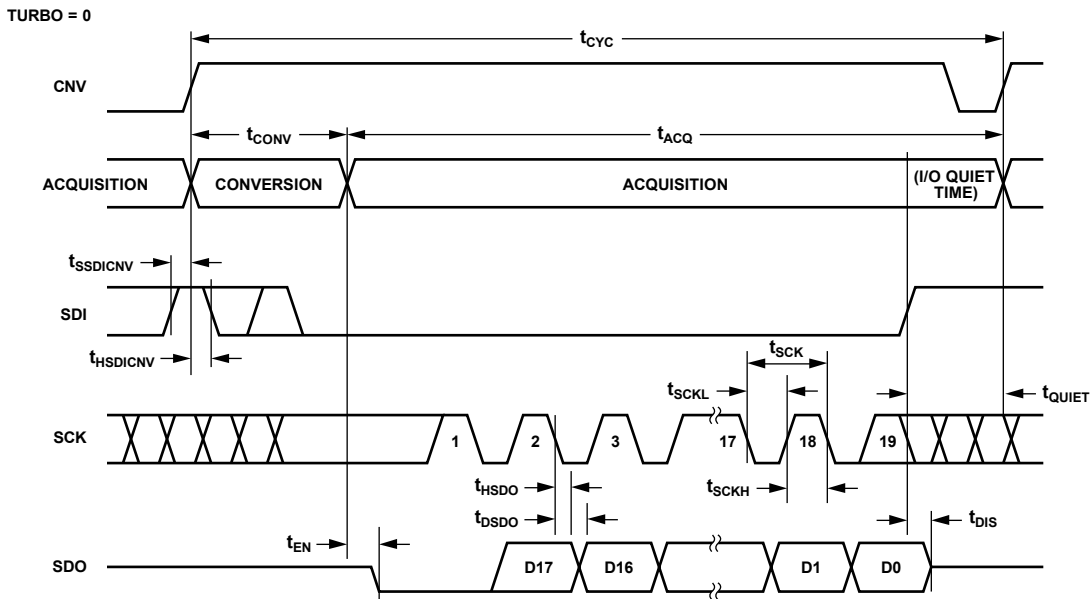


Figure 32. CS Mode, 4-Wire with Busy Indicator Serial Interface Timing

CHAIN MODE WITHOUT BUSY INDICATOR

This mode can daisy-chain multiple AD7986 devices on a 3-wire serial interface. It is only available in normal conversion mode (TURBO = low). This feature is useful for reducing component count and wiring connections, for example, in isolated multiconverter applications or for systems with a limited interfacing capacity. Data readback is analogous to clocking a shift register.

A connection diagram example using two AD7986 devices is shown in Figure 33 and the corresponding timing is given in Figure 34.

When SDI and CNV are low, SDO is driven low. With SCK low, a rising edge on CNV initiates a conversion, selects the chain mode, and disables the busy indicator.

In this mode, CNV is held high during the conversion phase and the subsequent data readback. When the conversion is complete, the MSB is output onto SDO, and the AD7986 enters the acquisition phase and powers down. The remaining data bits stored in the internal shift register are clocked by subsequent SCK falling edges. For each ADC, SDI feeds the input of the internal shift register and is clocked by the SCK falling edge. Each ADC in the chain outputs the data MSB first, and $18 \times N$ clocks are required to read back the N ADCs. The data is valid on both SCK edges. Although the rising edge can capture the data, a digital host using the SCK falling edge allows a faster reading rate and consequently more AD7986 devices in the chain, provided that the digital host has an acceptable hold time. The maximum conversion rate may be reduced due to the total readback time.

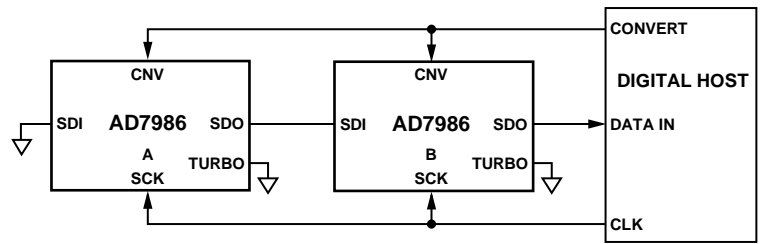


Figure 33. Chain Mode Without Busy Indicator Connection Diagram

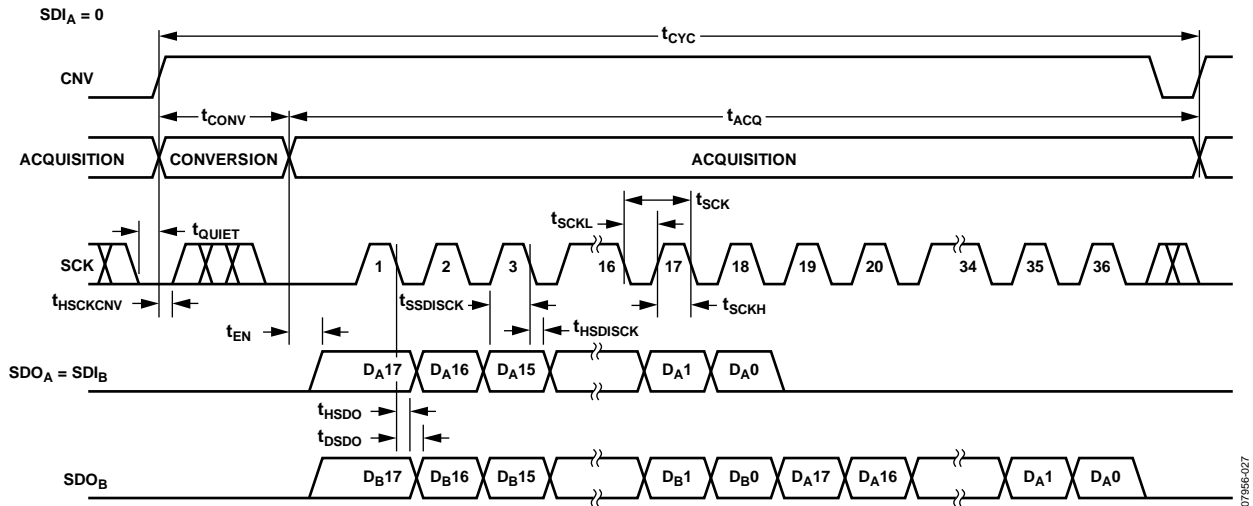


Figure 34. Chain Mode Without Busy Indicator Serial Interface Timing

CHAIN MODE WITH BUSY INDICATOR

This mode can also daisy-chain multiple AD7986 devices on a 3-wire serial interface while providing a busy indicator. This feature is useful for reducing component count and wiring connections, for example, in isolated multiconverter applications or for systems with a limited interfacing capacity. Data readback is analogous to clocking a shift register. A connection diagram example using three AD7986 devices is shown in Figure 35, and the corresponding timing is given in Figure 36.

When SDI and CNV are low, SDO is driven low. With SCK high, a rising edge on CNV initiates a conversion, selects the chain mode, and enables the busy indicator feature. In this mode, CNV is held high during the conversion phase and the subsequent data readback.

When all ADCs in the chain have completed their conversions, the SDO pin of the ADC closest to the digital host (see the AD7986 ADC labeled C in Figure 35) is driven high. This transition on SDO can be used as a busy indicator to trigger the data readback controlled by the digital host. The AD7986 then enters the acquisition phase and powers down. The data bits stored in the internal shift register are clocked out, MSB first, by subsequent SCK falling edges. For each ADC, SDI feeds the input of the internal shift register and is clocked by the SCK falling edge. Each ADC in the chain outputs the data MSB first, and $18 \times N + 1$ clocks are required to read back the N ADCs. Although the rising edge can capture the data, a digital host using the SCK falling edge allows a faster reading rate and consequently more AD7986 devices in the chain, provided that the digital host has an acceptable hold time.

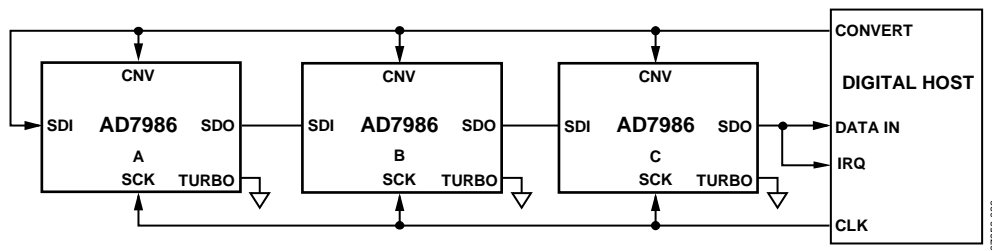


Figure 35. Chain Mode with Busy Indicator Connection Diagram

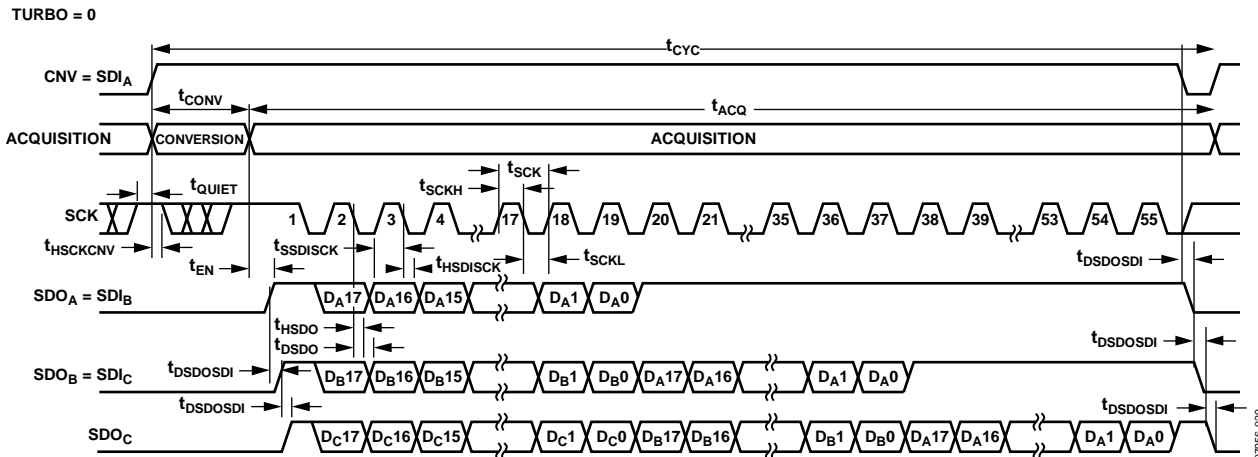


Figure 36. Chain Mode with Busy Indicator Serial Interface Timing

APPLICATION HINTS

LAYOUT

Design the printed circuit board (PCB) that houses the [AD7986](#) so the analog and digital sections are separated and confined to certain areas of the board. The pinout of the [AD7986](#), with the analog signals on the left side and the digital signals on the right side, eases this task.

Avoid running digital lines under the device because these couple noise onto the die, unless a ground plane under the [AD7986](#) is used as a shield. Fast switching signals, such as CNV or clocks, must not run near analog signal paths. Crossover of digital and analog signals must be avoided.

At least one ground plane must be used. It can be common or split between the digital and analog sections. In the latter case, the planes must be joined underneath the [AD7986](#) devices.

The [AD7986](#) voltage reference input (REF) has a dynamic input impedance and must be decoupled with minimal parasitic inductances. This is done by placing the reference decoupling ceramic capacitor close to, ideally right against, the REF and REFGND pins and connecting them with wide, low impedance traces.

Finally, the power supplies, VDD and VIO of the [AD7986](#), must be decoupled with ceramic capacitors, typically 100 nF, placed close to the [AD7986](#) and connected using short, wide traces to provide low impedance paths and to reduce the effect of glitches on the power supply lines.

EVALUATING THE PERFORMANCE OF THE [AD7986](#)

The evaluation board package for the [AD7986](#), [EVAL-AD7986FMCZ](#), includes a fully assembled and tested evaluation board and software for controlling the board from a PC, via the controller board, [EVAL-SDP-CH1Z](#).

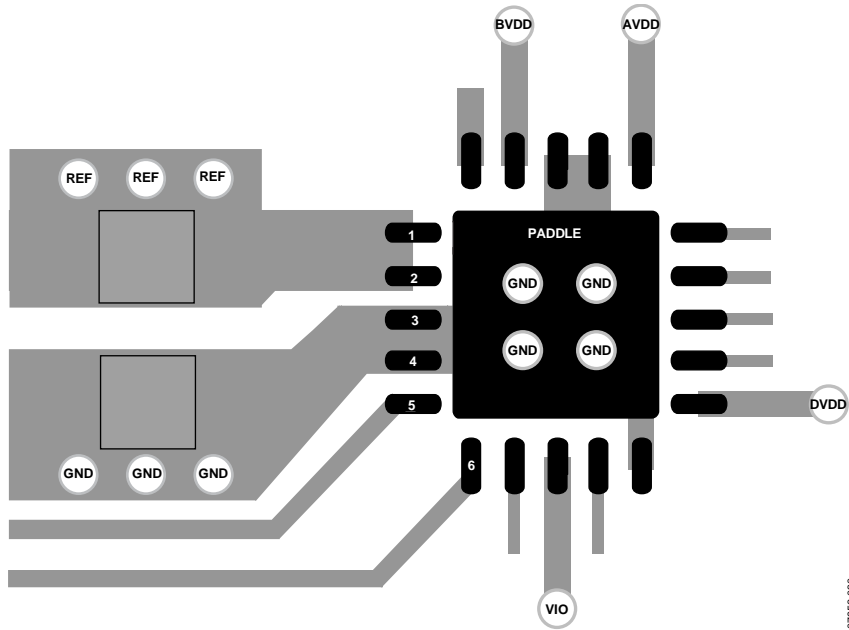


Figure 37. Example Layout of the AD7986 (Top Layer)

07956-030

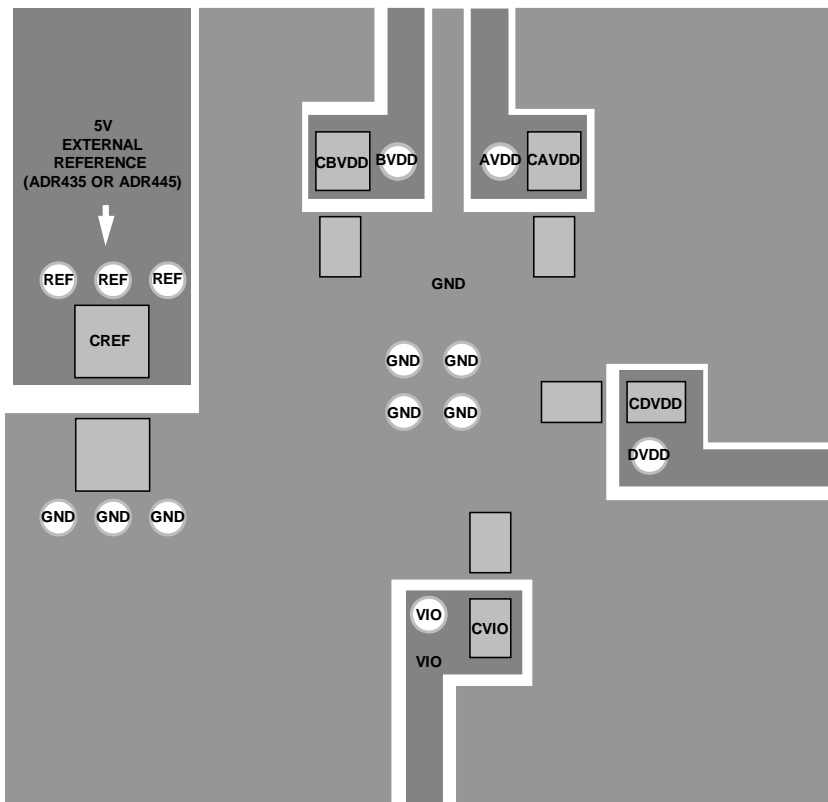
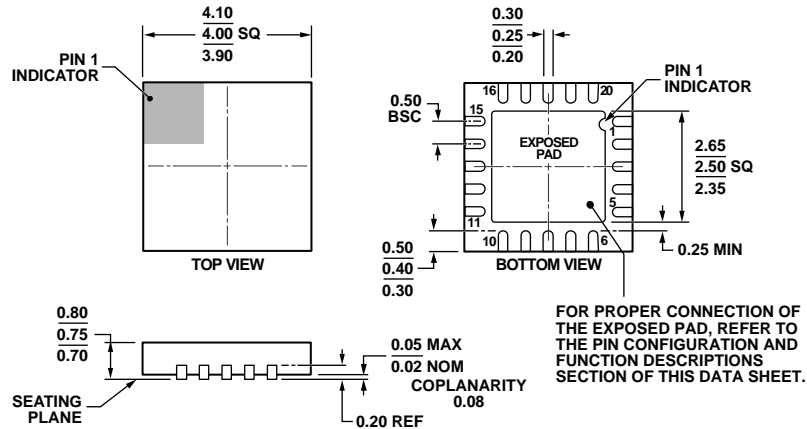


Figure 38. Example Layout of the AD7986 (Bottom Layer)

07956-031

OUTLINE DIMENSIONS



COMPLIANT TO JEDEC STANDARDS MO-220-WGGD.

Figure 39. 20-Lead Lead Frame Chip Scale Package [LFCSP]
4 mm × 4 mm Body and 0.75 mm Package Height
(CP-20-10)

Dimensions shown in millimeters

061609B

ORDERING GUIDE

Model ^{1, 2, 3}	Temperature Range	Package Description	Package Option	Ordering Quantity
AD7986BCPZ	-40°C to +85°C	20-Lead Lead Frame Chip Scale Package LFCSP, Tray	CP-20-10	490
AD7986BCPZ-RL7	-40°C to +85°C	20-Lead Lead Frame Chip Scale Package LFCSP, 7" Tape and Reel	CP-20-10	1,500
EVAL-AD7986FMCZ		Evaluation Board		
EVAL-SDP-CH1Z		Controller Board		

¹ Z = RoHS Compliant Part.

² The EVAL-AD7986FMCZ can be used as a standalone evaluation board or in conjunction with the EVAL-SDP-CH1Z for evaluation and/or demonstration purposes.

³ The EVAL-SDP-CH1Z allows a PC to control and communicate with all Analog Devices, Inc. evaluation boards ending in the FMC designator.

NOTES