

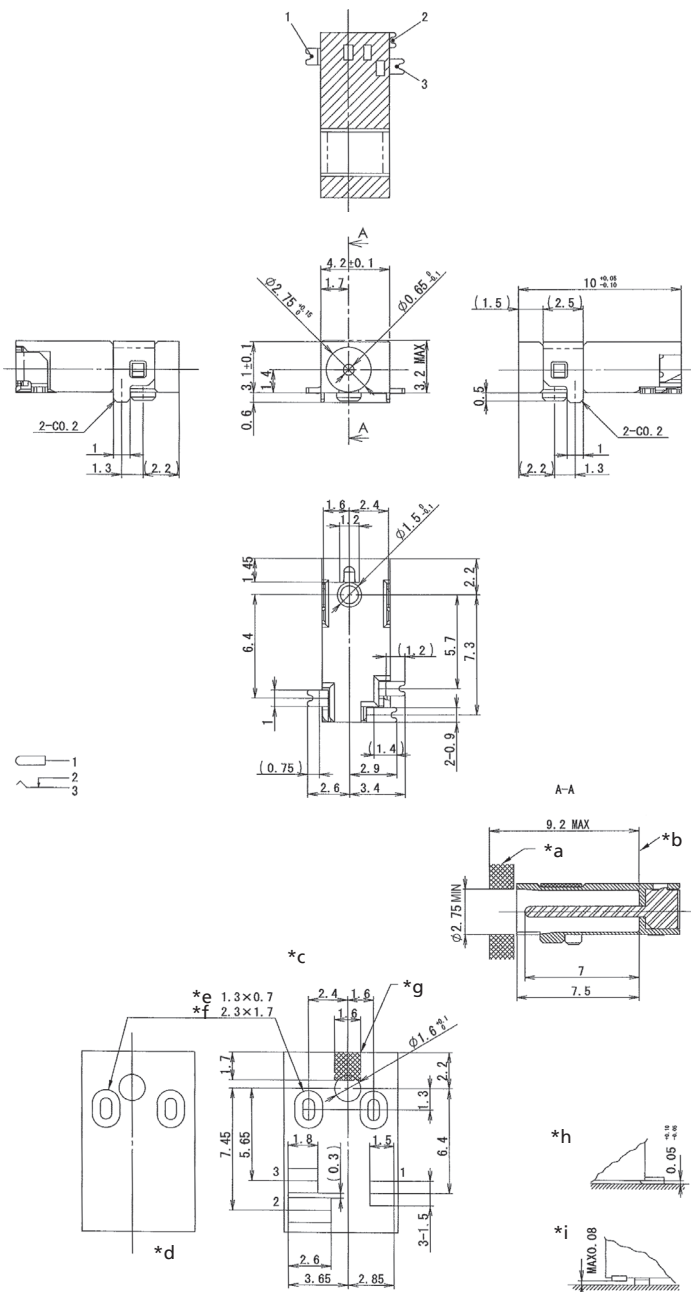
16

1613 25

Power supply connectors



Power supply chassis socket acc. to JEITA RC-5320A
JSAJ11, angular version, with break contact, for printed
circuit boards, surface mount technology (SMT)



Environmental conditions

Temperature range -20 °C/+60 °C

Materials

Insulating body PA, V-0 according to UL94
 Contact spring Cu alloy, silver-plated
 Contact pin Cu alloy, silver-plated
 Frame spring Cu alloy, tin-plated

Mechanical data

Diameter opening 2,75 mm
 Diameter center pin 0,65 mm
 Mating cycles $\geq 5000^1$
 Insertion force 5-20 N²
 Withdrawal force 4-15 N³

¹ measured with a gauge plug
² measured with a gauge plug, initial value
³ measured with a gauge plug, initial value

Electrical data (at T_{amb} 20 °C)

Contact resistance ≤ 30 m Ω
 Rated current 2 A
 Rated voltage 3,15 V DC
 Rated impulse voltage 500 V/60 s
 Insulation resistance ≥ 100 M Ω

Associated products

Counterparts
 ☑ 1636 01

-
- *a chassis
 - *b contact surface of plug
 - *c printed circuit board layout, components side view
 - *d back side
 - *e hole
 - *f copper layer
 - *g area to be left empty
 - *h stand off
 - *i coplanarity

16

1613 25

Designation	Pole Number	PU (Pieces)	MDQ (Pieces)
1613 25 VP3	2	1500	1500

Packaging:

on reel