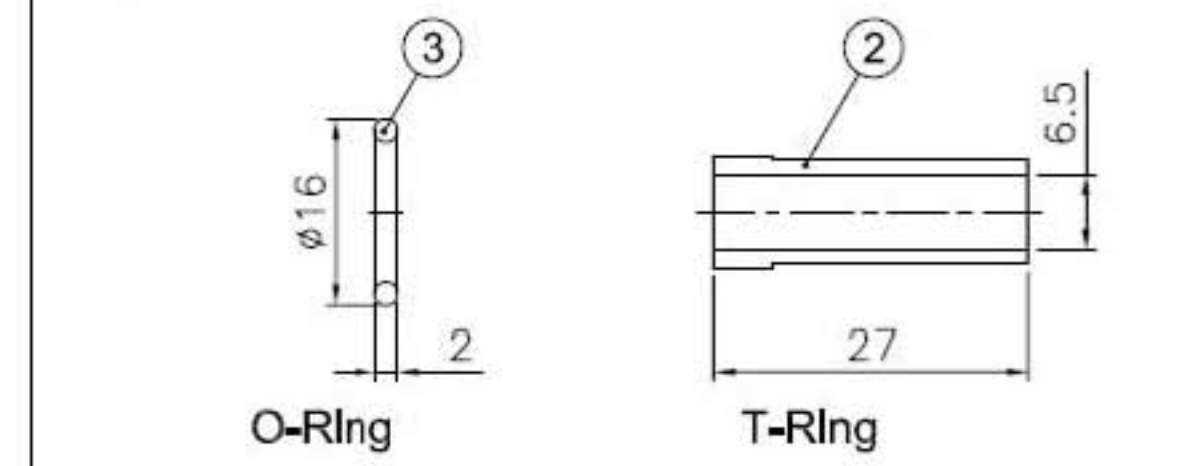


5911

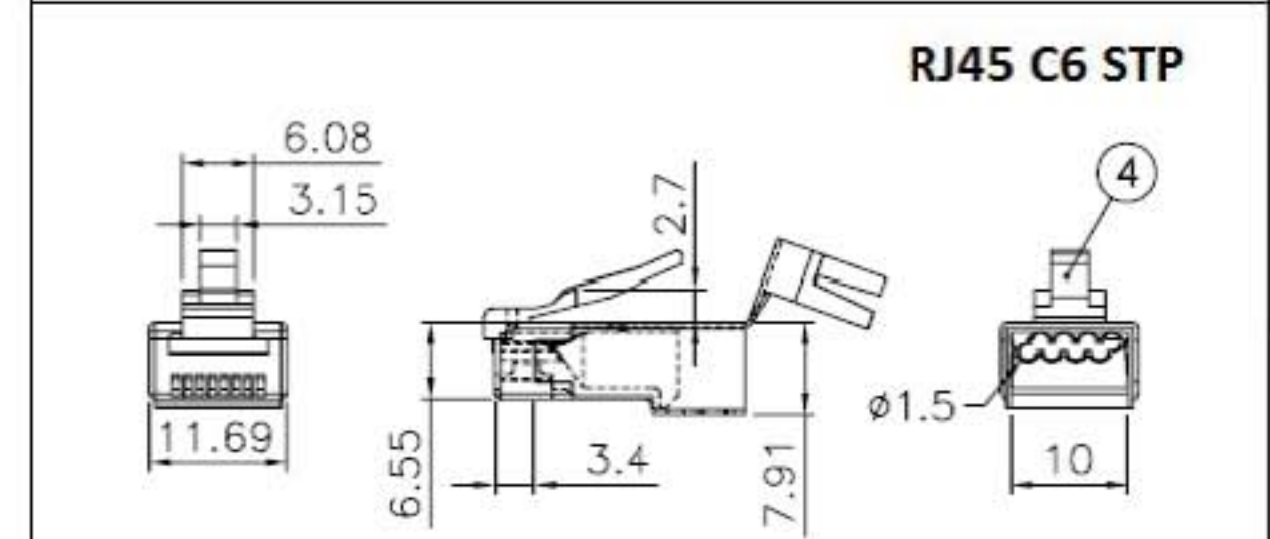
Notes:

- O-Ring is an accessory for 5911, function is as below:
 - You can either use it or not while assembling with thin OD cable. O-Ring can cover the gap while assembling with thick OD cable
 - It also can be a spare parts for the red O-ring in the front
- T-Ring is for OD under 6mm networking cable
- 5911 and RJ45 C6 STP are packed in a small bag separately. Then, these 2 parts will be packed with user instruction in a bag. (Bag size: 10cm*15cm)



O-Ring

T-Ring



RJ45 C6 STP

Customer's Item No.: 19366

NO.	DESCRIPTION	MATERIAL	COLOUR
①	5911 BODY	METAL	
②	T-RING	RUBBER	BLACK
③	O-RING	SILICON	BLACK
④	RJ45 PLUG	PC	TRANSPARENT

DIMENSIONS ARE IN MILLIMETERS
UNLESS OTHERWISE SPECIFIED
TOLERANCES
ANGLES = ±5'
UP TO 6 = ±0.2
6-40 = ±0.4
40-120 = ±0.6
120-315 = ±1
ABOVE 315 = ±1.6

APPROVED DATE 2016-05-03
CHECKED DATE
DRAWN DATE 2016-05-03
FILE NO. D:\CAD\SVPL

TITLE
PART NO. 5911 + RJ45 C6 STP
REV. A1

NO.	DESCRIPTION	MATERIAL	FINISH	Q'TY	DRAWING NO.
1					3