

Grove Base Hat for Raspberry Pi

SKU 103030275



1 Review

Grove Base Hat for Raspberry Pi

- 1 +

US Warehouse



Add to Cart

Description Documents Learn Reviews FAQs

Today, the grove series of sensors, actuators, and displays have grown into a large family. More and more grove modules will join the whole Grove ecosystem in the future. We see the Grove helps hundreds of thousands of makers, engineers, teachers, students and even artists to learn, to make, to create...We always feel it is our responsibility to make the Grove module compatible with more platforms. Now we bring you the Grove Base Hat for Raspberry Pi and [Grove Base Hat for Raspberry Pi Zero](#), in another word, we bring the Raspberry Pi the whole Grove System.

The Grove Base Hat for Raspberry Pi provide Digital/Analog/I2C/PWM/UART port to meet all your needs. With the help of the build-in MCU, a 12-bit 8 channel ADC is also available for Raspberry Pi.

Currently, more than 60 groves have supported the Grove Base Hat for Raspberry Pi . In addition, we will continue to add new compatible modules to the compatible list, the more you use, the more grove will be added.

Compared with Grove Pi+, the Grove Base Hat for Raspberry Pi does not use the ATMEGA chip for data conversion, so it runs faster. We provide the Raspberry Pi driver for Grove Base Hat for Raspberry Pi. What's more, Grove Base Hat for Raspberry Pi is much more cost-effective. In other words, we lowered the threshold for using the grove series on the Raspberry Pi. We hope you like it, enjoy :D

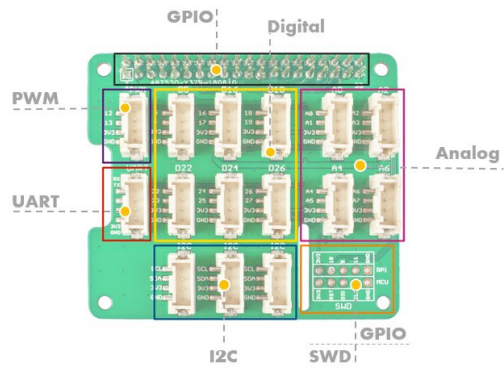
Attention

This hat do not contain a Raspberry Pi, the second picture is just a connection diagram. If you need one, you can click [Raspberry Pi](#).

Features

- Support Raspberry 2/ 3 B/B+ Zero
- build-in MCU STM32
- 12-bit ADC
- Multi-type Grove port

Pin Out



Technical details

Dimensions	55mm x65mm x20mm
Weight	G.W 24.5g
Battery	Exclude
Operating Voltage	3.3V
MCU	SMT32

Part List

Grove Base Hat for Raspberry Pi	1
---------------------------------	---

ECCN/HTS

ECCN	ERA99
HSCODE	8517709000
USHSCODE	85177000
FCC	1
CE	1

Bundle Sales



- This item: Grove Base Hat for Raspberry Pi
- Raspberry Pi 3 Model B+

Company

[Official Website](#)
[About Seeed](#)
[Solution](#)
[Distributors](#)
[Careers](#)
[Contacts](#)

Help Center

[How to Get Help](#)
[FAQ](#)
[Technical Support](#)
[Shipping & Order](#)
[Warranty & Returns](#)
[Payment Information](#)

Community

[Project Hub](#)
[Forum](#)
[Blog](#)
[Wiki](#)

Stay Tuned

Enter Email Address

