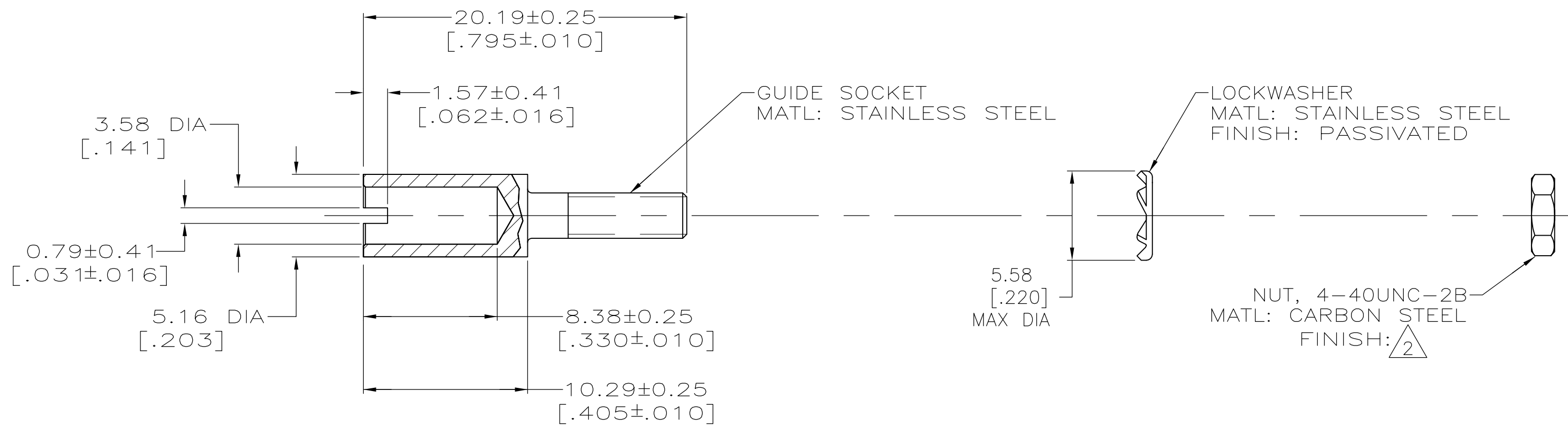


THIS DRAWING IS UNPUBLISHED. RELEASED FOR PUBLICATION
 © COPYRIGHT BY TYCO ELECTRONICS CORPORATION. ALL INTERNATIONAL RIGHTS RESERVED.

| | | | | | |
|-----------|-----------|---------------------------|---------|-----|------|
| LOC FT | DIST 0 | REVISIONS | | | |
| P | LTR | DESCRIPTION | DATE | DWN | APVD |
| | W2 | REVISED PER ECO-10-021995 | 12JAN11 | HMR | MG |



- $\triangle 2$ ZINC PLATE WITH NON-HEXAVALENT CHROMIUM.
- $\triangle 3$ OBSOLETE PARTS: OBSOLETE CIS STREAMLINING PER D.RENAUD/D.SINISI

| | | | |
|--------------------------|---------------|------------|----------------|
| | $\triangle 2$ | STANDARD | 1-200835-1 |
| $\triangle 3$ SUPERSEDED | $\triangle 2$ | SMALL PACK | 1-200835-0 |
| SUPERSEDED BY 1-200835-1 | $\triangle 2$ | STANDARD | 200835-2 |
| | | NUT FINISH | PACKAGING TYPE |
| | | | PART NO. |

| | | | | |
|--|------------------------|----------------------------|--|--------------------|
| THIS DRAWING IS A CONTROLLED DOCUMENT. | | DWN D.GELTZ 04/20/93 | Tyco Electronics Corporation Harrisburg, PA 17105-3608 | |
| DIMENSIONS: mm [INCHES] | | CHK R.STONE 4-23-93 | NAME | |
| TOLERANCES UNLESS OTHERWISE SPECIFIED: | | APVD - | PRODUCT SPEC | |
| 0 PLC ± - | | APPLICATION SPEC | GUIDE SOCKET KIT, UNASSEMBLED, CORNER, MINIATURE RECTANGULAR, M SERIES | |
| 1 PLC ± - | | WEIGHT - | SIZE A3 | CAGE CODE 00779 |
| 2 PLC ± 0.38 [.015] | | | DRAWING NO C-200835 | RESTRICTED TO - |
| 3 PLC ± - | | | SCALE 4:1 | SHEET 1 OF 1 |
| 4 PLC ± - | | | REV W2 | |
| ANGLES ± - | | | | |
| MATERIAL SEE CALLOUTS | FINISH SEE CALLOUTS | CUSTOMER DRAWING | | |

Mouser Electronics

Authorized Distributor

Click to View Pricing, Inventory, Delivery & Lifecycle Information:

[TE Connectivity:](#)

[200835-4](#)