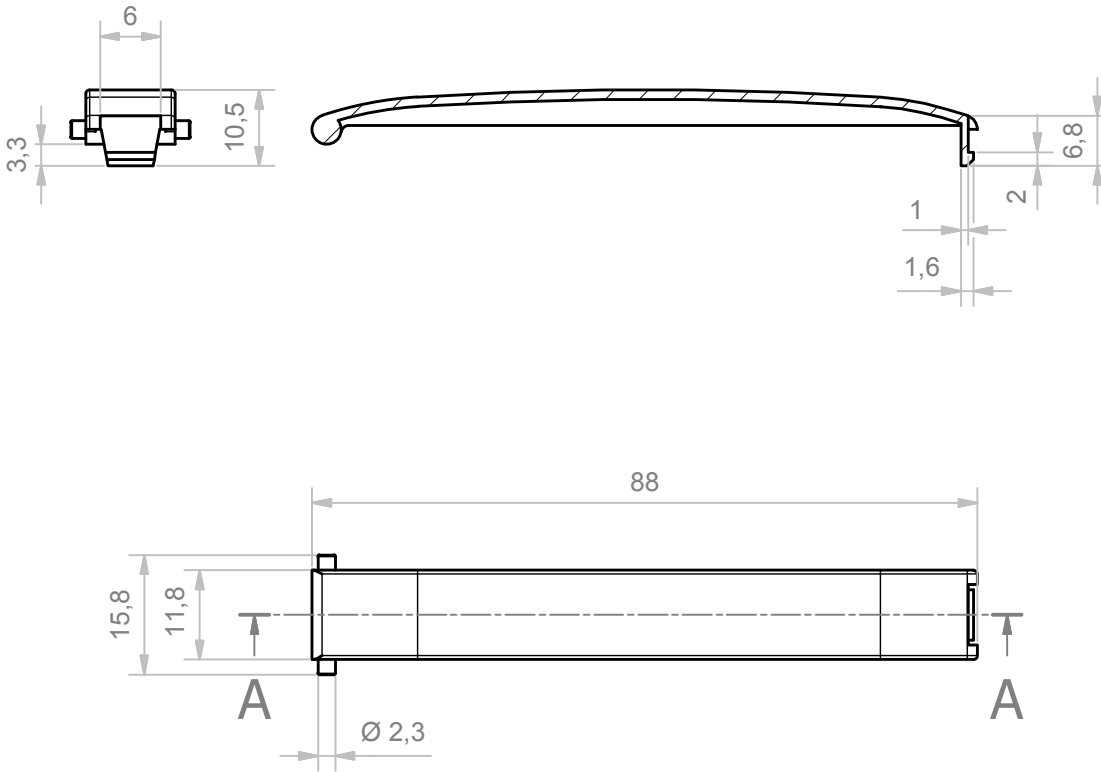


A-A (1 : 1)



GENERAL TOLERANCE  $\pm 0.2$  mm

General Tolerance UNI EN 22768/1 Media (m)				
from 0.5 to 3	from 3 to 6	from 6 to 30	from 30 to 120	from 120 to 400
$\pm 0.1$	$\pm 0.1$	$\pm 0.2$	$\pm 0.3$	$\pm 0.5$
Scale: 1 : 1	Sheet nr.: 1 / 1	Drawn: N.R.	Checked: F.F.	Date: 10/09/2018
Dimension in mm		Material: PC/ABS - PC	Weight: -	Cod. Mold: ST.1009001
		Description: SPORTELLO FRONTALE RAILBOX 12 MM FRONT HINGED TRANSPARENT PANEL 12 MM		
www.italtronic.com techcare@italtronic.com			Drawing nr. 2.110.00008	Rev. 01

10/09/2018 N.R. Updated cartouche with new code (code passed R-00165-01)