

THIS DRAWING IS UNPUBLISHED. RELEASED FOR PUBLICATION  
 © COPYRIGHT - By - ALL RIGHTS RESERVED.

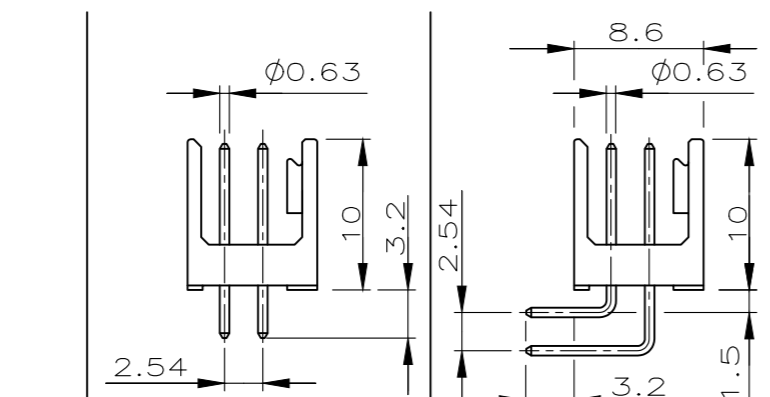
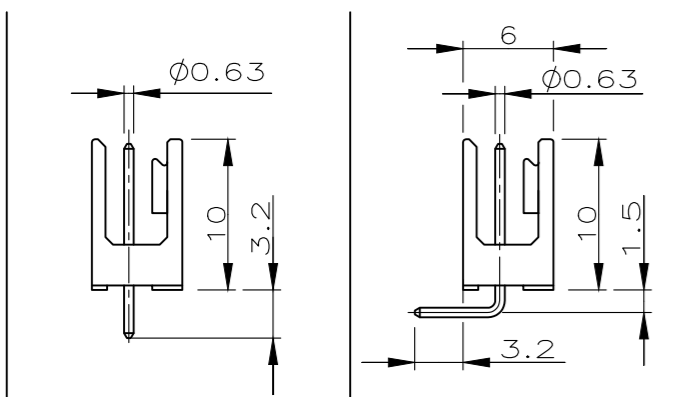
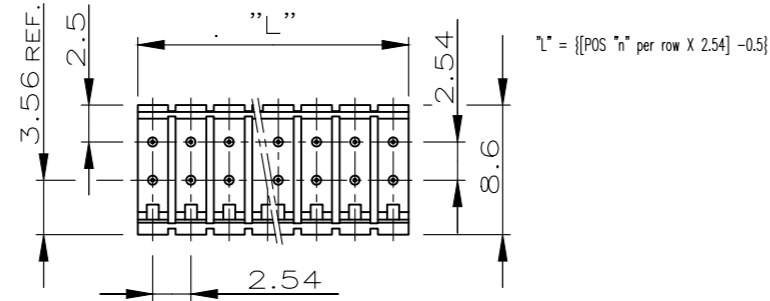
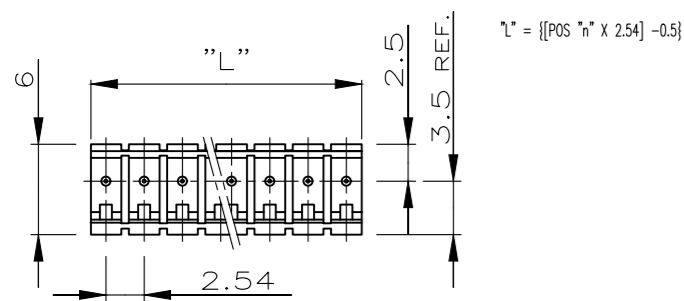
REVISIONS				
P	LTR	DESCRIPTION	DATE	APVD
	Y1	PART STAUTS UPDATED.	03JAN2018	RK PS

# MODU II SHROUDED POSTS

## MODU II Stiftleiste

SINGLE ROW 3 TO 50 POS.  
Einreihig 3 bis 50 pol.

DOUBLE ROW 2x3 TO 2x50 POS.  
Zweireihig 2x3 bis 2x50 pol.

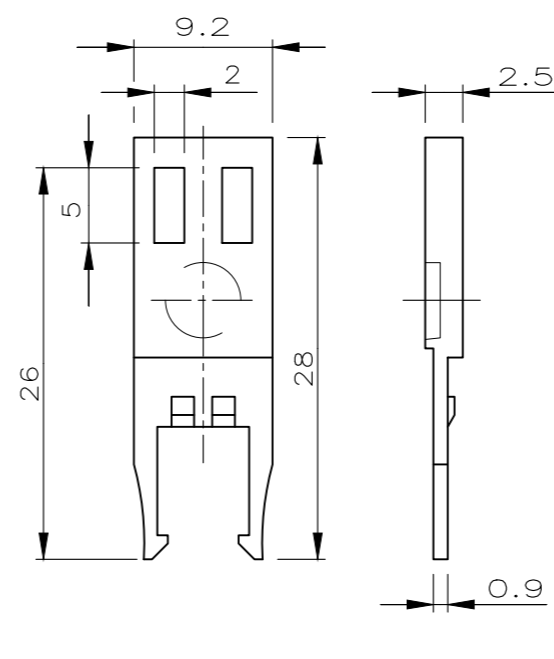
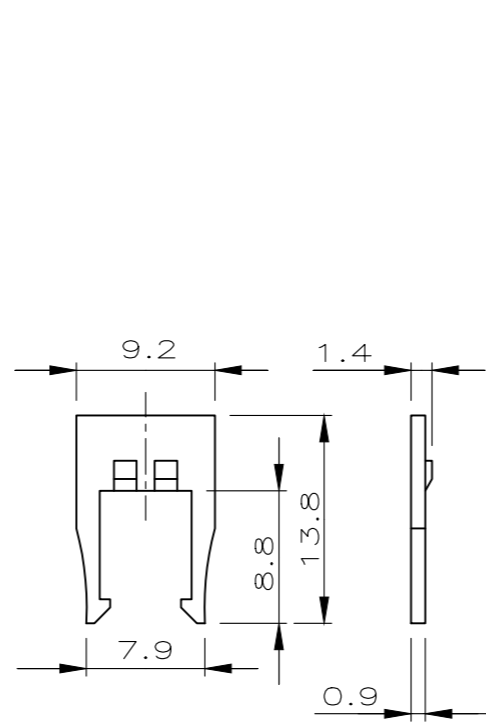


## RETENTION PLUG

Rastgabel

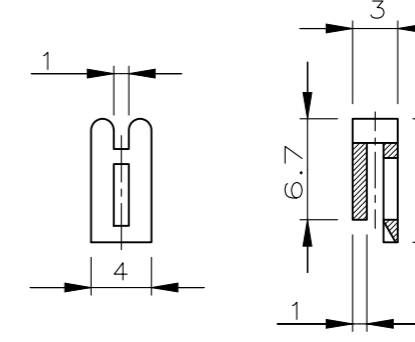
## RETENTION PLUG WITH STRAIN RELIEF

Rastgabel mit Zugentlastung



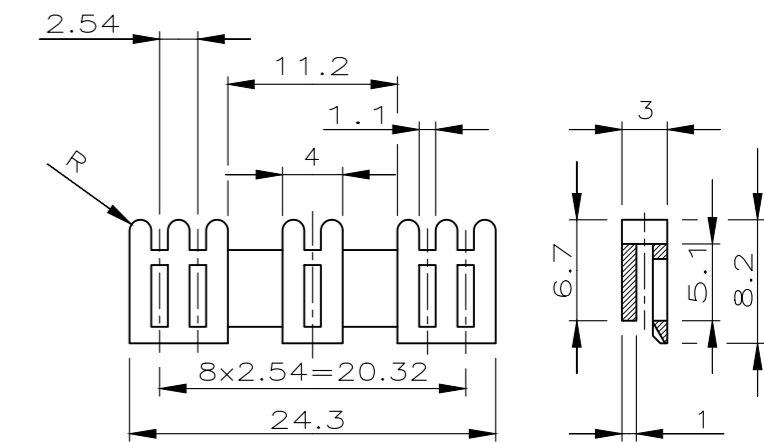
## KEYING PLUG

Kodierstift



## KEYING BLOCK

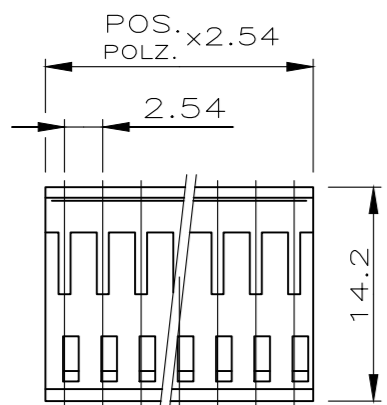
Kodierblock



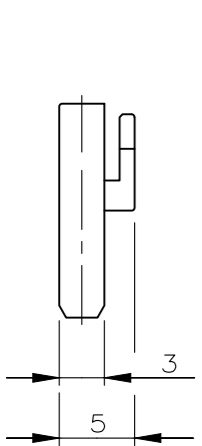
POS.	PART NUMBERS	PART NUMBERS	POS.	PART NUMBERS	PART NUMBERS	PART NUMBERS	COLOUR	PART NUMBERS	COLOUR	PART NUMBERS	COLOUR	PART NUMBERS	COLOUR
3 (2) TO 50	1 826 467-3 BIS 5-826 467-0	1 826 468-3 BIS 5-826 468-0	2x3 TO 2x50	1 826 469-3 BIS 5-826 469-0	1 826 470-2 BIS 5-826 470-0	926 477-1	BLACK	926 478-1	BLACK	926 498-1	BLACK	927 607-1	BLACK
	2 827 295-2 BIS 5-827 295-0	2 827 296-3 BIS 5-827 296-0		2 827 297-3 BIS 5-827 297-0	2 827 298-3 BIS 5-827 298-0	926 477-2	GREEN	926 478-2	GREEN	926 498-2	GREEN	927 607-2	GREEN
	3 827 295-2 BIS 5-827 295-0	3 827 296-3 BIS 5-827 296-0		3 827 297-3 BIS 5-827 297-0	3 827 298-3 BIS 5-827 298-0	926 477-3	RED	926 478-3	RED	926 498-3	RED	927 607-3	RED

## MODU IV RECEPTACLE HOUSING

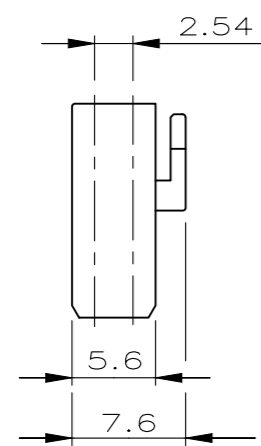
MODU IV Buchsengehäuse



SINGLE ROW  
2 TO 36 POS.  
Einreihig  
2 bis 36 polig.

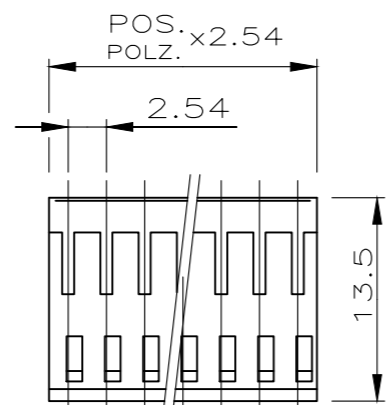


DOUBLE ROW  
2x2 TO 2x36 POS.  
Zweireihig  
2x2 bis 2x36 polig

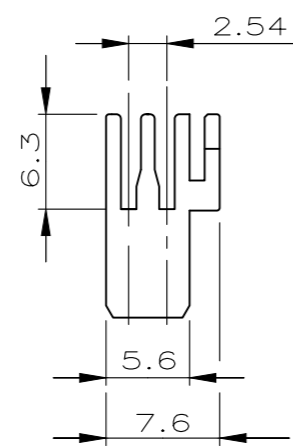


## FFC HOUSING

FFC Gehäuse



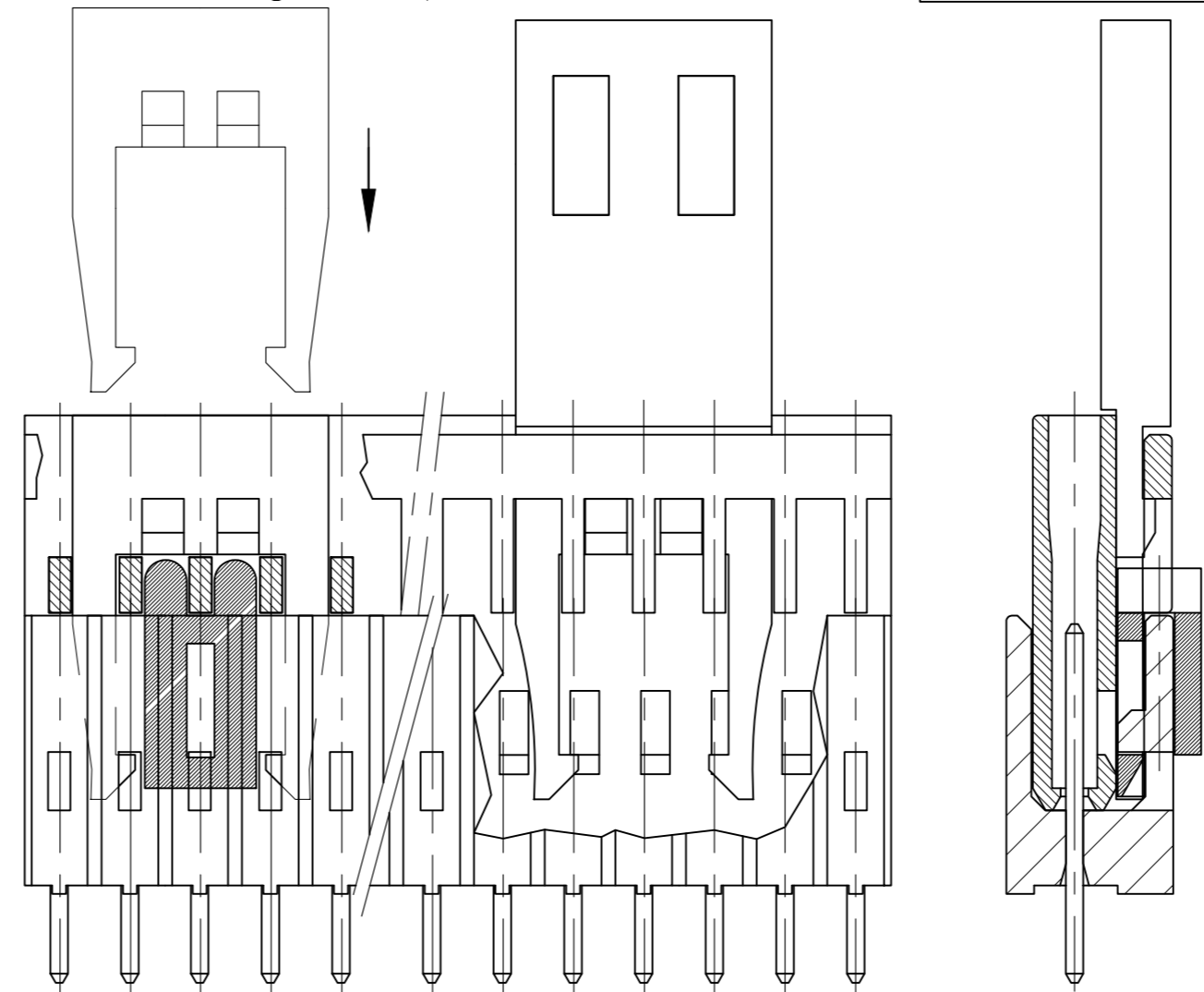
DOUBLE ROW  
2x3 TO 2x13 POS.  
Zweireihig  
2x3 bis 2x13 polig



POS.	PART NUMBERS	POS.	PART NUMBERS	POS.	PART NUMBERS
2 TO 36	926 475-2 3-926 475-6	2x2 TO 2x36	926 476-2 3-926 476-6	2x3 TO 2x13	927 009-3 1-927 009-3

## ASSEMBLED COMPONENTS (FOR EXAMPLE)

Anwendungsbeispiel



1 CONTACT PIN/Kontaktstift: CuZn  
 PLATING MATING AREA:  
 MIN. 0.7µm PdNi + 0.1µm GOLD FLASH OVER  
 1.27µm Ni  
 SOLDER SIDE: MIN 3.0µm Sn OVER 1.27µm Ni

2 CONTACT PIN/Kontaktstift: CuSn  
 PRE TIN PLATED MIN. 2.0µm Sn OVER 1.27µm  
 Ni (PIN TIPS BLANK)  
 Vorverzinnt min. 2.0µm Sn über 1.27µm Ni  
 (Stiftspitzen blank)

MATERIAL:  
 PIN HEADER PCT-GV BLACK/schwarz  
 Stiftgehäuse PCT-GV BLACK/schwarz  
 RECEPTACLE HOUSING PBT-GV BLACK/schwarz  
 Buchsengehäuse PBT-GV BLACK/schwarz  
 RETENTION PLUGS PC-GV  
 Rastgabeln PC-GV  
 KEYING PLUG AND BLOCK PA 6.6 GV  
 Kodierstift, -block PA 6.6 GV  
 FFC HOUSING PBT-GV BLACK/schwarz  
 FFC Gehäuse PBT-GV BLACK/schwarz

3 OBSOLETE PARTS  
 4 OBSOLETE PARTS:OBSOLETE CIS STREAMLINING  
 PER D.RENAUD/D.SINISI

THIS DRAWING IS A CONTROLLED DOCUMENT.

DWN	A.HO	08.03.85
CHK	M.SCHAARSCHMIDT	02.05.85
APVD	-	-
PRODUCT SPEC	-	-
APPLICATION SPEC	-	-
WEIGHT	A2 00779 C=826467	
CUSTOMER DRAWING	SCALE 2:1	SHEET 1 OF 2

TE Connectivity  
 AMPMODU II / AMPMODU IV  
 SIZE CAGE CODE DRAWING NO RESTRICTED TO  
 A2 00779 C=826467  
 SHEET 1 OF 2 REV Y1

4

3

2

1

THIS DRAWING IS UNPUBLISHED. RELEASED FOR PUBLICATION  
 © COPYRIGHT - By - ALL RIGHTS RESERVED.

REVISIONS				
P	LTR	DESCRIPTION	DATE	APVD
-	-	SEE SHEET 1	-	-

PN 6-926476-8  
 2x18 POS. AMPMODU IV RECEPTACLE HOUSING  
 2x18 POL. AMPMODU IV BUCHSENGEHÄUSE

PACKAGING  
 Verpackung

PART NUMBER 5-826467-3 INCLUDING 75 PCS. OF PN 826467-3  
 PACKED IN PLASTIC BOX (78mm x 78mm x 45mm)  
 FOR TE-HARRISBURG ONLY

Bestell- Nummer 5-826467-3 enthält 75 Stk. PN 826467-3  
 verpackt in Kunststoffschachtel (78mm x 78mm x 45mm)  
 nur für TE-Harrisburg

THIS DRAWING IS A CONTROLLED DOCUMENT.		DWN M.SCHAARSCHMIDT 27.09.85		
		CHK W.MORITZ 30.09.85		
DIMENSIONS: mm		TOLERANCES UNLESS OTHERWISE SPECIFIED: ±0.2mm		NAME AMPMODU II / AMPMODU IV
		0 PLC ± -	APVD -	PRODUCT SPEC -
		1 PLC ± -	APPLICATION SPEC -	SCALE 2:1
		2 PLC ± -	WEIGHT	SHEET 2 OF 2
		3 PLC ± -	CUSTOMER DRAWING	REV Y1
		4 PLC ± -	SIZE A2	
		ANGLES ± -	CAGE CODE 00779	
MATERIAL -		FINISH -	DRAWING NO. C-826467	
			RESTRICTED TO -	

1471-9 (1/15)

826467

# Mouser Electronics

Authorized Distributor

Click to View Pricing, Inventory, Delivery & Lifecycle Information:

[TE Connectivity:](#)

[826467-3](#)