

PLEASE CHECK WWW.MOLEX.COM FOR LATEST PART INFORMATION

Part Number: [0460151602](#)
Status: **Active**
Overview: Mini-Fit Family Power Connectors
Description: Mini-Fit Plus Header, Dual Row, Vertical, 16 Circuits, without Snap-in Plastic Peg PCB Lock, without Drain Holes, PA Polyamide Nylon 6/6, UL 94V-0, Tin (Sn) 1.27µm Over Nickel (Ni) Plating

Documents:

3D Model	Packaging Specification PK-5566-001-001 (PDF)
Drawing (PDF)	Test Summary TS-5566-002-001 (PDF)
3D Model (PDF)	Symbol Footprint Data SYM-46015-1602 (PDF)
Product Specification PS-45750-001-001 (PDF)	RoHS Certificate of Compliance (PDF)

Agency Certification

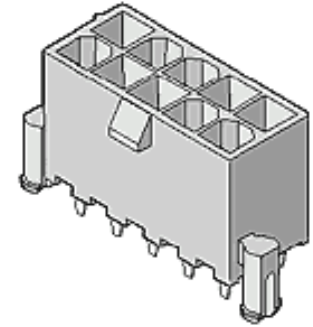
CSA	LR19980
UL	E29179

General

Product Family	PCB Headers
Series	46015
Application	Power, Wire-to-Board
Comments	Current = 13A max. per circuit when header is mated to a receptacle loaded with 45750 Mini-Fit Plus HCS Crimp Terminal Crimped to 16 AWG wire., See Molex product specification PS-45750-001 for additional current de-rating information.
Overview	Mini-Fit Family Power Connectors
Product Name	Mini-Fit Plus
UPC	822350737586

Physical

Breakaway	No
Circuits (Loaded)	16
Circuits (maximum)	16
Color - Resin	Natural
Durability (mating cycles max)	75
First Mate / Last Break	No
Flammability	94V-0
Glow-Wire Capable	No
Guide to Mating Part	No
Keying to Mating Part	None
Lock to Mating Part	Yes
Material - Metal	Copper Alloy
Material - Plating Mating	Tin
Material - Plating Termination	Tin
Material - Resin	Nylon
Net Weight	4.624/g
Number of Rows	2
Orientation	Vertical
PC Tail Length	1.80mm
PCB Locator	Yes
PCB Retention	None
PCB Thickness - Recommended	1.78mm
Packaging Type	Tray
Pitch - Mating Interface	4.20mm
Plating min - Mating	2.540µm
Plating min - Termination	1.270µm



Series image - Reference only

EU ELV

Not Relevant

EU RoHS

Compliant

REACH SVHC

Not Contained Per -
D(2020)9139-DC (19
Jan 2021)

Halogen-Free

Status

Low-Halogen

For more information, please visit [Contact US](#)

China ROHS

ELV

RoHS Phthalates

China RoHS

Green Image

Not Relevant

Not Contained

Search Parts in this Series

[46015](#) Series

Mates With

[5557](#) Mini-Fit Jr. Receptacle Housing

Polarized to Mating Part	Yes
Polarized to PCB	Yes
Shrouded	Fully
Stackable	No
Surface Mount Compatible (SMC)	No
Temperature Range - Operating	-40° to +105°C
Termination Interface: Style	Through Hole

Electrical

Current - Maximum per Contact	13.0A
Voltage - Maximum	600V

Solder Process Data

Duration at Max. Process Temperature (seconds)	005
Lead-free Process Capability	WAVE
Max. Cycles at Max. Process Temperature	001
Process Temperature max. C	260

Material Info**Reference - Drawing Numbers**

Packaging Specification	PK-5566-001-001
Product Specification	PS-45750-001-001
Sales Drawing	SD-46015-001-000
Symbol/Footprint Data	SYM-46015-1602
Test Summary	TS-5566-002-001

This document was generated on 06/29/2021

PLEASE CHECK WWW.MOLEX.COM FOR LATEST PART INFORMATION

Mouser Electronics

Authorized Distributor

Click to View Pricing, Inventory, Delivery & Lifecycle Information:

[Molex:](#)

[46015-1602](#)