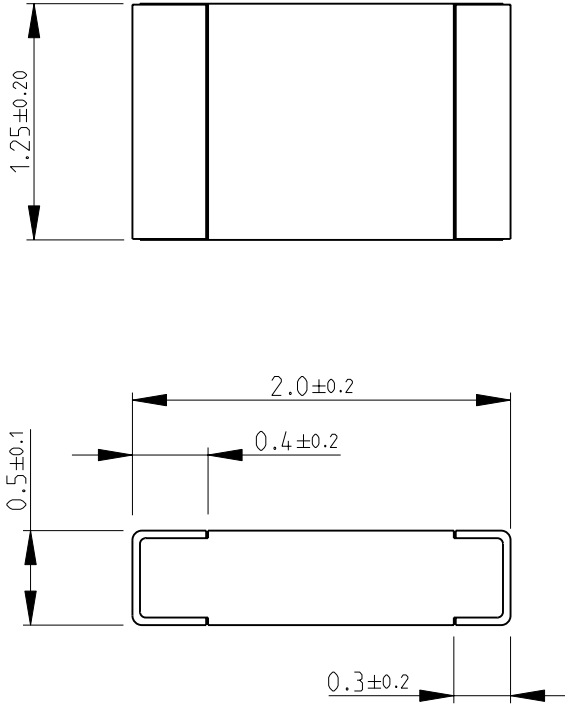
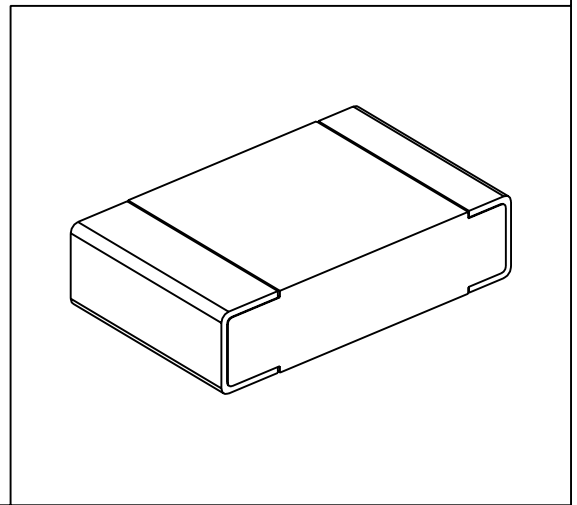


LOC	DIST	REVISIONS			
P	LTR	DESCRIPTION	DATE	DWN	APVD
E	B	BA1	AS PER ECR-09-006166	17-MAR-09	SM JC

FOR FURTHER INFORMATION SEE DATA SHEET FOR  
CPF SERIES-THIN FILM PRECISION CHIP RESISTORS



RoHS Compliant



2008

RELEASED FOR PUBLICATION

THIS DRAWING IS UNPUBLISHED.

BY TYCO ELECTRONICS CORPORATION. ALL RIGHTS RESERVED.

DIMENSIONS: mm	DWN SUBHASH.M	22-Sep-08	MATERIAL	-	FINISH	-	
	CHK PRAKASH.S	22-Sep-08	Tyco Electronics Corporation Dorcan, Swindon, SN3 5HH				
TOLERANCES UNLESS OTHERWISE SPECIFIED:	APVD STEPHEN.P	22-Sep-08					
0 PLC ±0.2	PRODUCT SPEC	-	NAME THIN FILM PRECISION CHIP RESISTORS SERIES CPF 0805				
1 PLC ±0.1	APPLICATION SPEC	-					
2 PLC ±-	WEIGHT	-	SIZE	A 4	CAGE CODE	00779	
3 PLC ±-		-	DRAWING NO	C= 1614885		RESTRICTED TO	
4 PLC ±-			CUSTOMER DRAWING	SCALE	25:1	SHEET	1 OF 1
ANGLES ±5°							

# Mouser Electronics

Authorized Distributor

Click to View Pricing, Inventory, Delivery & Lifecycle Information:

[TE Connectivity:](#)

[CPF0805B470KE1](#)