

4

3

2

1

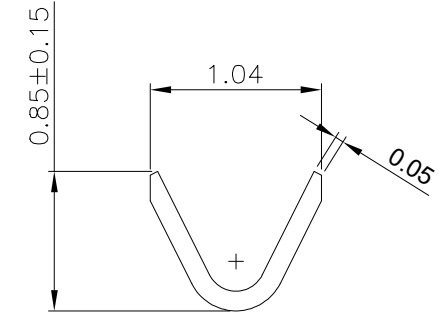
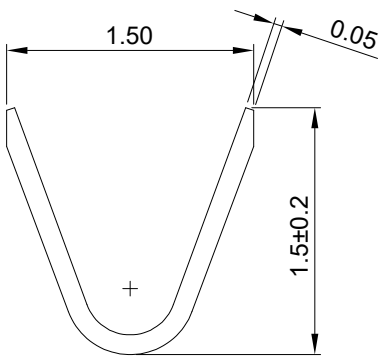
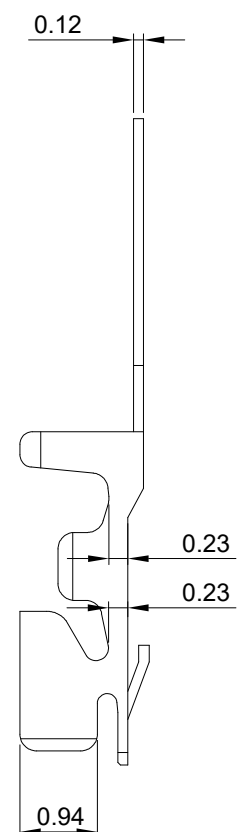
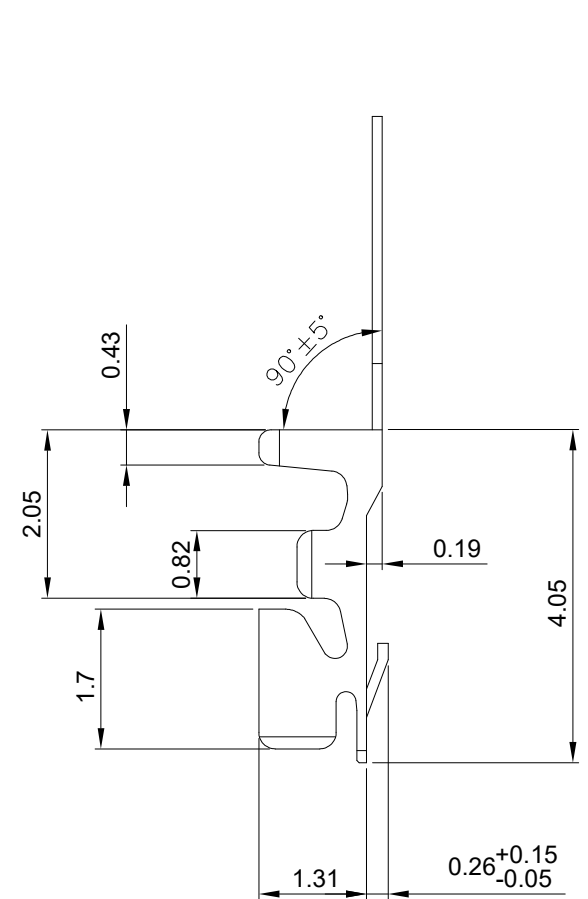
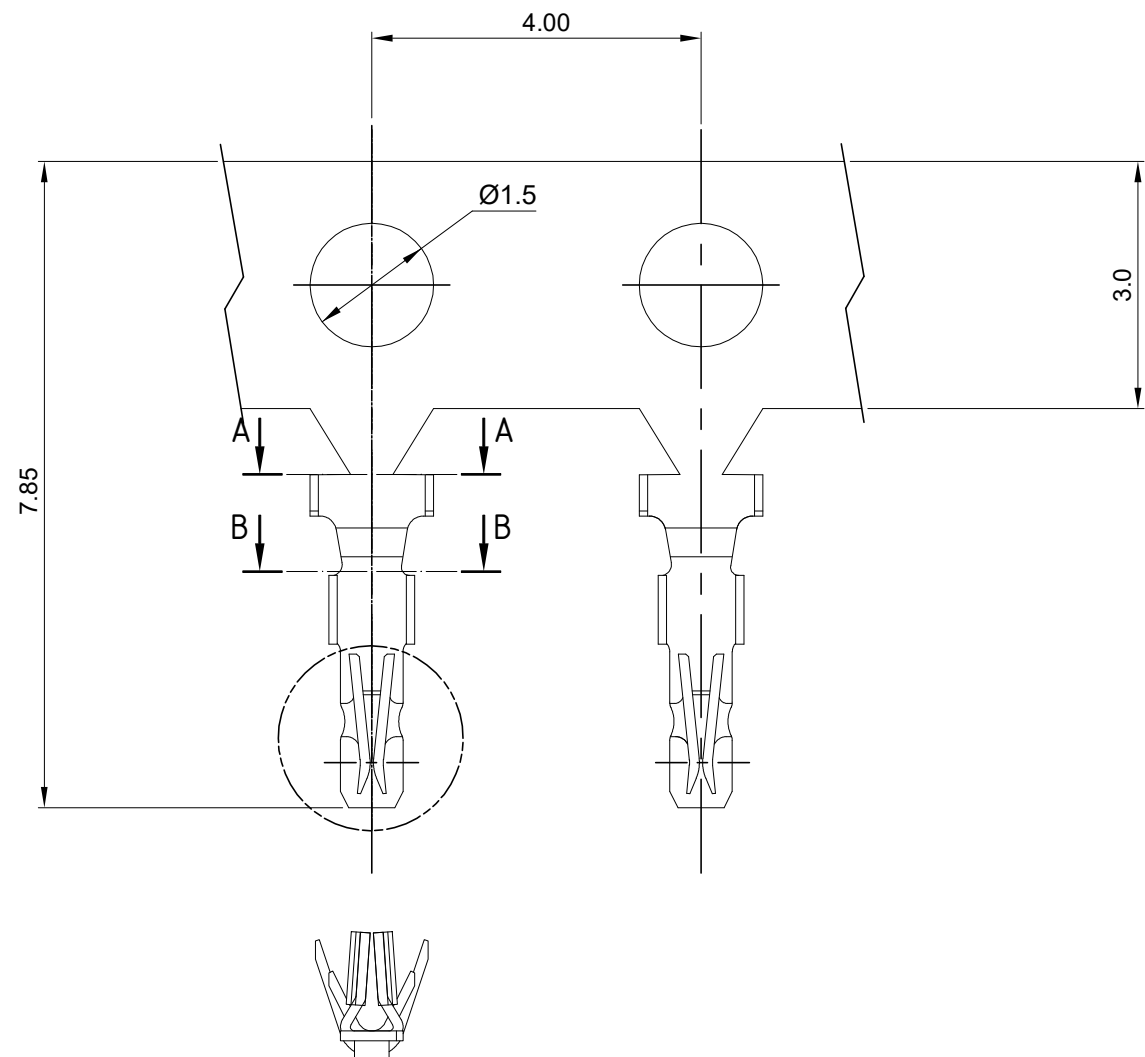
THIS DRAWING IS UNPUBLISHED. RELEASED FOR PUBLICATION AUG ,2006.

© COPYRIGHT 2009 BY TYCO ELECTRONICS CORPORATION. ALL RIGHTS RESERVED.

LOC DW DIST

REVISIONS

P	LTR	DESCRIPTION	DATE	DWN	APVD
	C1	ECR-19-000085	02SEP2019	T.Q	WH



NOTE:

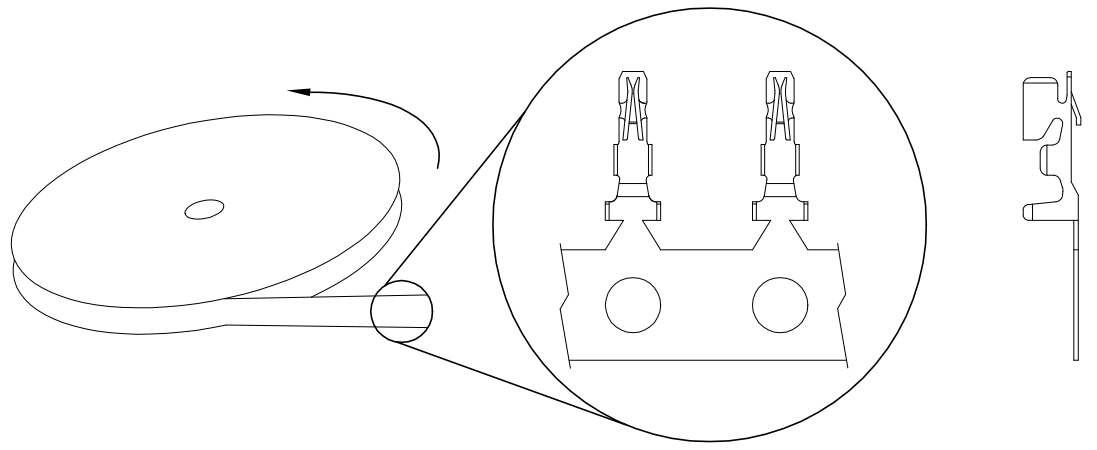
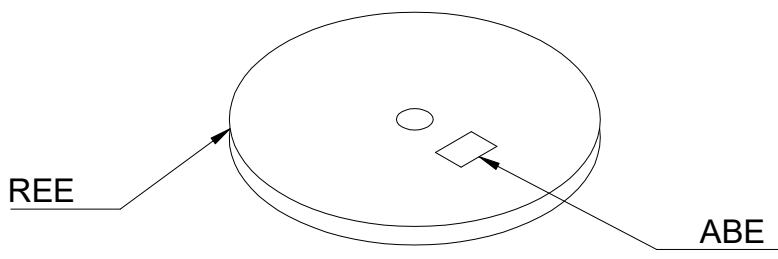
- MATERIAL: PHOSPHOR BRONZE.
- FINISH: 80~110μ" BRIGHT TIN PLATING OVER ALL; 15~40μ" NICKEL UNDER PLATING
- NO TE LOGO AND DATE CODE ON THE PRODUCT.
- APPLICABLE WIRE RANGE: AWG #28 THRU #32
- PART NUMBER OF RECEPTACLE HOUSING: X-1470364-X & X-2041214-X.
- PART NUMBER OF MATING PLUG:
LOW HALOGEN TYPE: X-2041190-X, X-2041191-X, X-2041202-X
HALOGEN TYPE: X-1734709-X, X-1734595-X.

1734597-1
PART NUMBER

THIS DRAWING IS A CONTROLLED DOCUMENT.		DWN A. WU 26JUL2007	Tyco Electronics Tyco Electronics Corporation Taipei, Taiwan	
DIMENSIONS: MM		CHK S. HOU 26JUL2007	NAME	
TOLERANCES UNLESS OTHERWISE SPECIFIED:		APVD W.J. KE 26JUL2007	1.0 MM PITCH WIRE TO BOARD CONNECTOR, RECEPTACLE, SMT, TERMINAL	
0 PLC ± -		PRODUCT SPEC 108-57264	SIZE A3	CAGE CODE 00779
1 PLC ± 0.15		APPLICATION SPEC	DRAWING NO C=1734597	RESTRICTED TO
2 PLC ± 0.1		WEIGHT SEE TABLE	SCALE -	SHEET 1 OF 2
3 PLC ± -		CUSTOMER DRAWING	REV C1	
4 PLC ± -				
ANGLES ± 3'				
MATERIAL SEE NOTE	FINISH SEE NOTE			

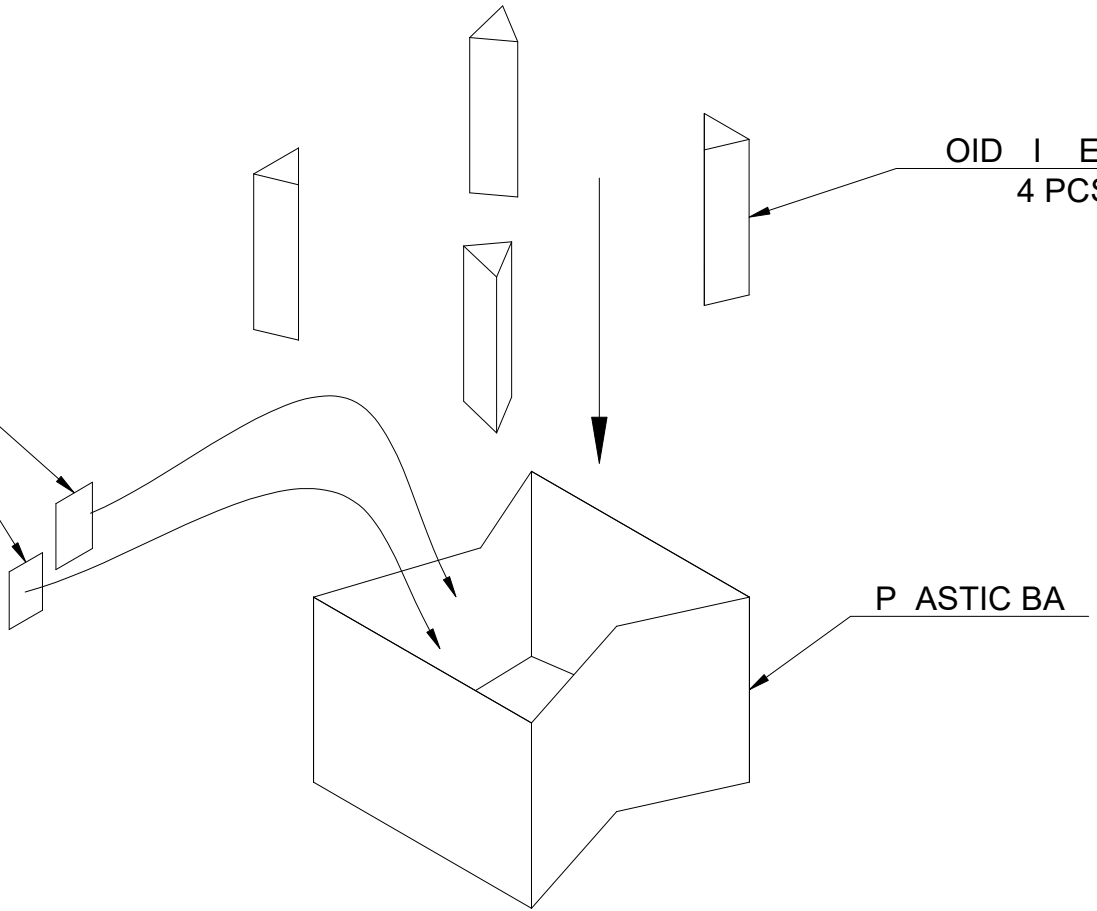
THIS DRAWING IS UNPUBLISHED. RELEASED FOR PUBLICATION AUG ,2006.
 © COPYRIGHT 2009 BY TYCO ELECTRONICS CORPORATION. ALL RIGHTS RESERVED.

LOC	DIST	REVISIONS			
P	LTR	DESCRIPTION	DATE	DWN	APVD
DW	/	SEE SHEET 1.			

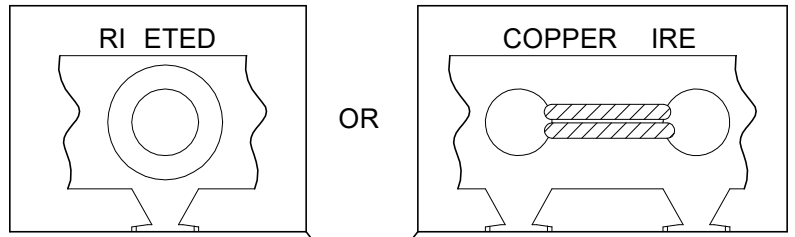


OID I ER
4 PCS

DESICCANT

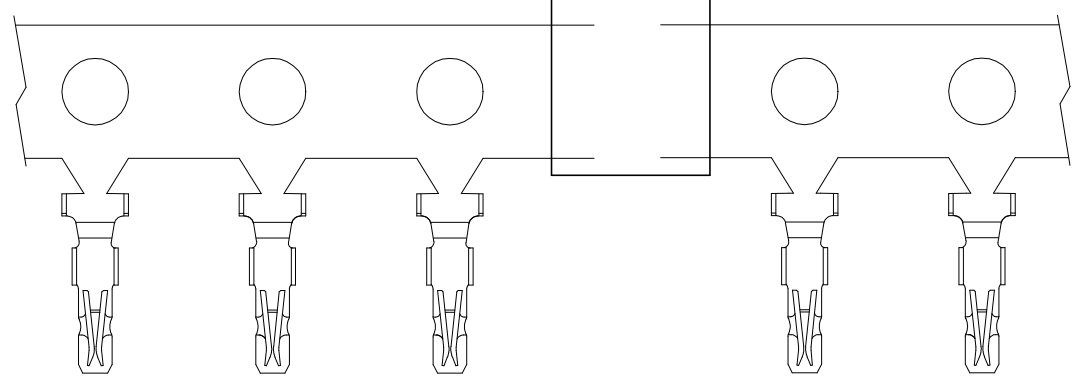


CONNECTIN MET OD CON I URATION



OR

2 CONNECT POINTS MA . PER REE



472	472	175	7	15000	105000 PCS
CARTON DIMENSIONS			REE S CARTON	PCS REE	UANTIT

THIS DRAWING IS A CONTROLLED DOCUMENT.		DWN	Tyco Electronics Corporation Taipei, Taiwan		
DIMENSIONS: MM		CHK			
TOLERANCES UNLESS OTHERWISE SPECIFIED:		APVD	NAME		
0 PLC ± -		PRODUCT SPEC	1.0 MM PITCH WIRE TO BOARD CONNECTOR, RECEPTACLE, SMT, TERMINAL		
1 PLC ± -		APPLICATION SPEC	SIZE	CAGE CODE	DRAWING NO
2 PLC ± -		WEIGHT	A3	00779	C=1734597
3 PLC ± -		CUSTOMER DRAWING	RESTRICTED TO		
4 PLC ± -		SCALE	SHEET		REV
ANGLES ± -			2 OF 2		C1
MATERIAL	FINISH				
SEE NOTE	SEE NOTE				

Mouser Electronics

Authorized Distributor

Click to View Pricing, Inventory, Delivery & Lifecycle Information:

[TE Connectivity:](#)

[1734597-1](#)