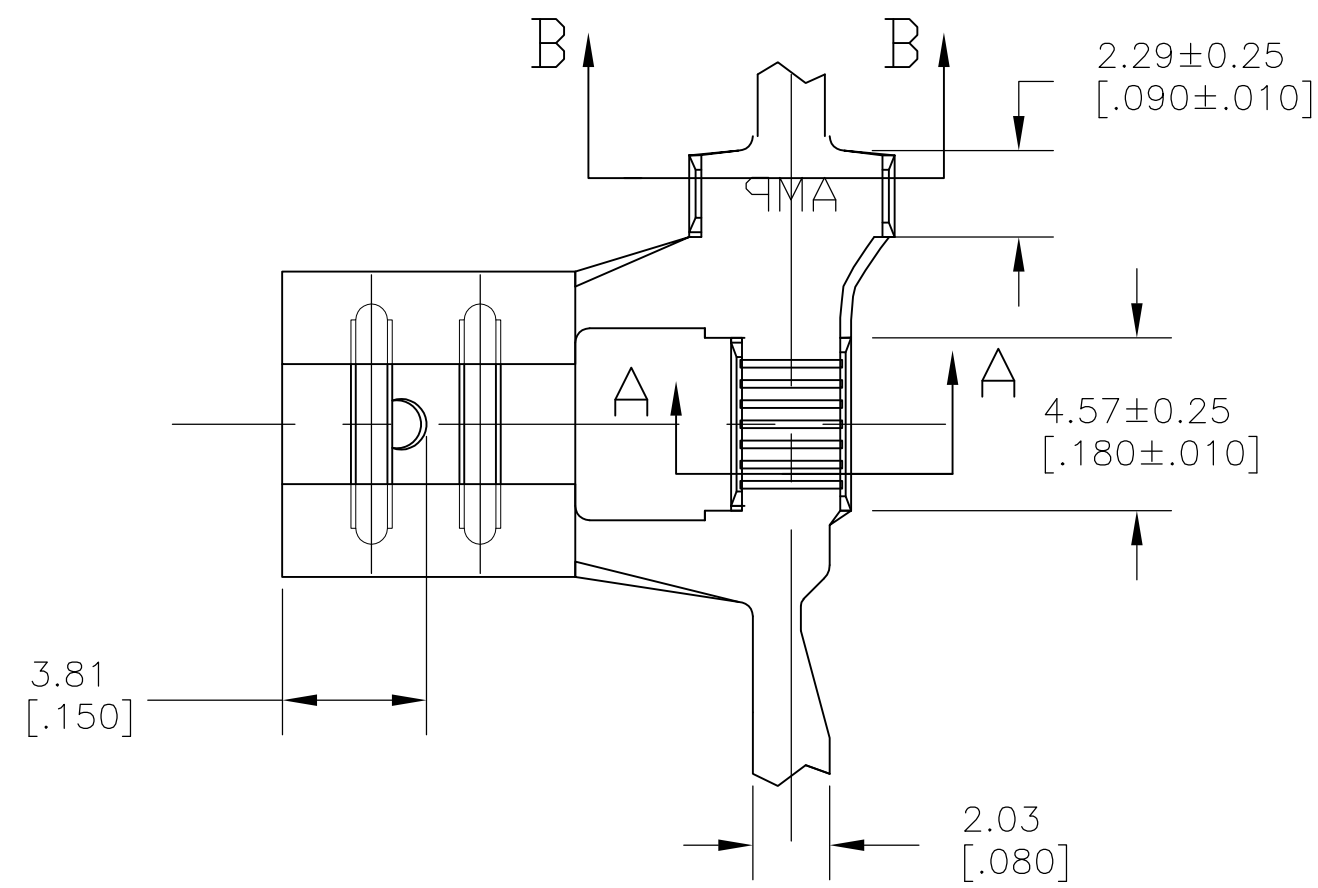
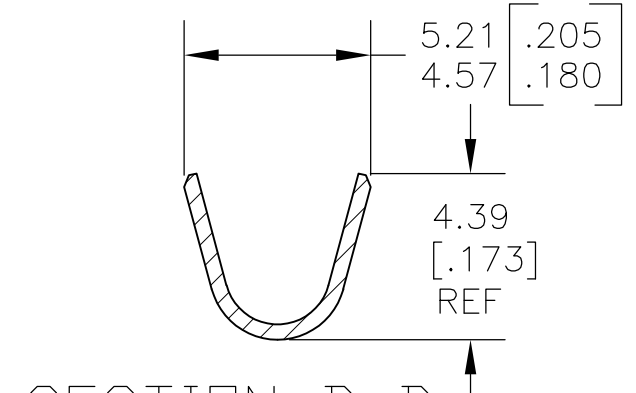
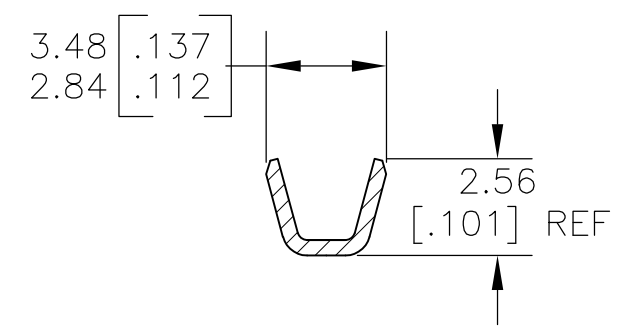
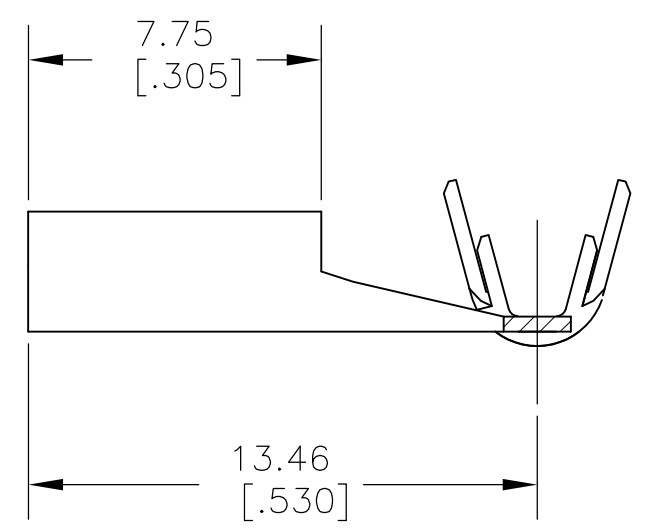
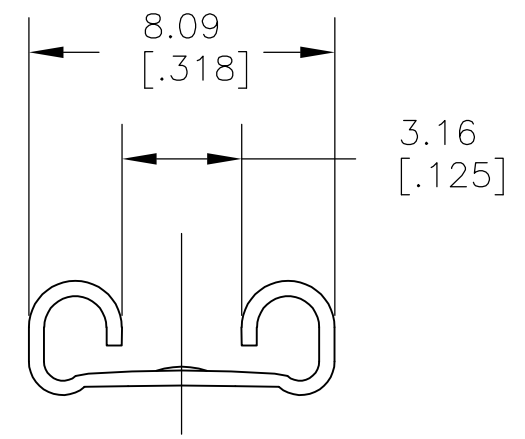


THIS DRAWING IS UNPUBLISHED. RELEASED FOR PUBLICATION
 © COPYRIGHT - By TYCO ELECTRONICS CORPORATION. ALL RIGHTS RESERVED.

P	LTR	DESCRIPTION	DATE	DWN	APVD
B3		REVISE PER ECR-17-08694	20JUN2017	ANDY	PKS



- 1 CONTINUOUS STRIP ON REELS
- 2 WIRE SIZE IS 1000-2700 CMA (2 WIRES)
 (0.6+0.6mm) to (1.0+0.85mm) DIA
 CRIMP WIDTH IS 2.29 [.090], F TYPE
 CRIMP HEIGHT(±0.05)=(Total CMA+6800)/162800
- 3 INSULATION RANGE 2.54-3.05 [.100-.120] DIA
 CRIMP WIDTH IS 3.56 [.140], OVERLAP TYPE
- △4 0.002032 [.000080] MIN TIN PLATE
- 5 MATING TAB THK IS 0.81±0.025 [.032±.001].
- △6 0.001016 [.000040] MIN TIN PLATE



△6	1742882-2
△4	1742882-1
FINISH	PART NO

THIS DRAWING IS A CONTROLLED DOCUMENT.		DWN jr_ruth 08DEC10	TE Connectivity			
DIMENSIONS: MM [INCHES]		CHK PETE_DESANTIS 08DEC10				NAME
TOLERANCES UNLESS OTHERWISE SPECIFIED:		APVD PETE_DESANTIS 08DEC10	RECEPTACLE, FASTON, FLAG, AMPLIVAR, 6.35 [.250] SERIES			
0 PLC ± - 1 PLC ± - 2 PLC ± 0.25 [.010] 3 PLC ± - 4 PLC ± - ANGLES ± 5°		PRODUCT SPEC 108-2086	SIZE	CAGE CODE	DRAWING NO	RESTRICTED TO
MATERIAL BRASS		FINISH SEE TABLE	114-2152	A300779	C-1742882	-
CUSTOMER DRAWING			WEIGHT 0.915	SCALE 5:1	SHEET 1 OF 1	REV B3

Mouser Electronics

Authorized Distributor

Click to View Pricing, Inventory, Delivery & Lifecycle Information:

[TE Connectivity:](#)

[1742882-1](#)