

PLEASE CHECK WWW.MOLEX.COM FOR LATEST PART INFORMATION

Part Number: [0015040293](#)
Status: **Active**
Description: Universal Polarizing Key, White

Documents:

3D Model	Drawing (PDF)
3D Model (PDF)	RoHS Certificate of Compliance (PDF)

General

Product Family	Accessories
Series	40713
Comments	Delivered on a Carrier With 20 Parts per Strip
Component Type	Polarizing Key
Product Name	MX-50
UPC	800754221146

Physical

Circuits (Loaded)	1
Circuits (maximum)	1
Color - Resin	White
Lock to Mating Part	No
Net Weight	0.001/g
Packaging Type	Bag

Solder Process Data

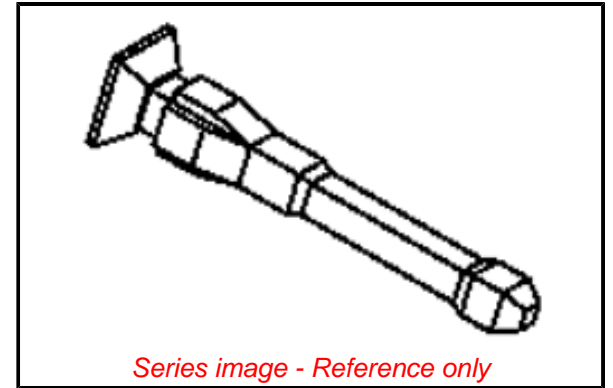
Lead-freeProcess Capability	N/A
-----------------------------	-----

Material Info

Engineering Number	40713-02
--------------------	----------

Reference - Drawing Numbers

Sales Drawing	407130000-SD-000
---------------	------------------



EU ELV

Not Relevant

EU RoHS

Compliant

REACH SVHC

Not Contained Per -
D(2020)4578-DC (25
June 2020)

Halogen-Free

Status

Low-Halogen

For more information, please visit [Contact US](#)

China ROHS

ELV

RoHS Phthalates

China RoHS

Green Image

Not Relevant

Not Contained

Search Parts in this Series

[40713 Series](#)

Use With

[70066](#) SL Crimp Housing. [70450](#) SL Crimp Housing. [70400](#) C-Grid SL IDT Connector Assembly. [70430](#) C-Grid SL . [71850](#) C-Grid Receptacle. [71395](#) C-Grid PCB Connector, [90142](#) C-Grid III Crimp Housing

Mouser Electronics

Authorized Distributor

Click to View Pricing, Inventory, Delivery & Lifecycle Information:

[Molex:](#)

[15-04-0293](#)