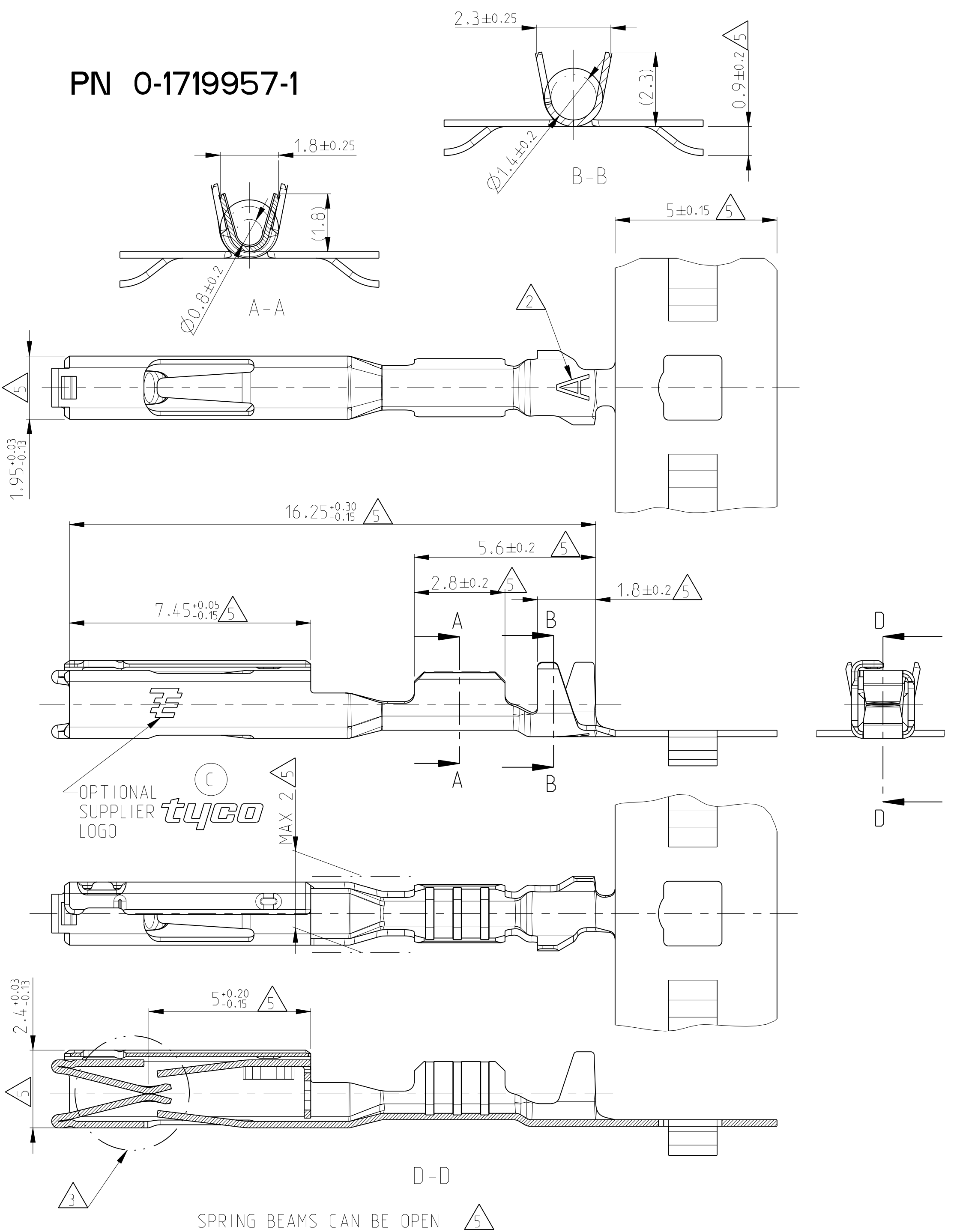
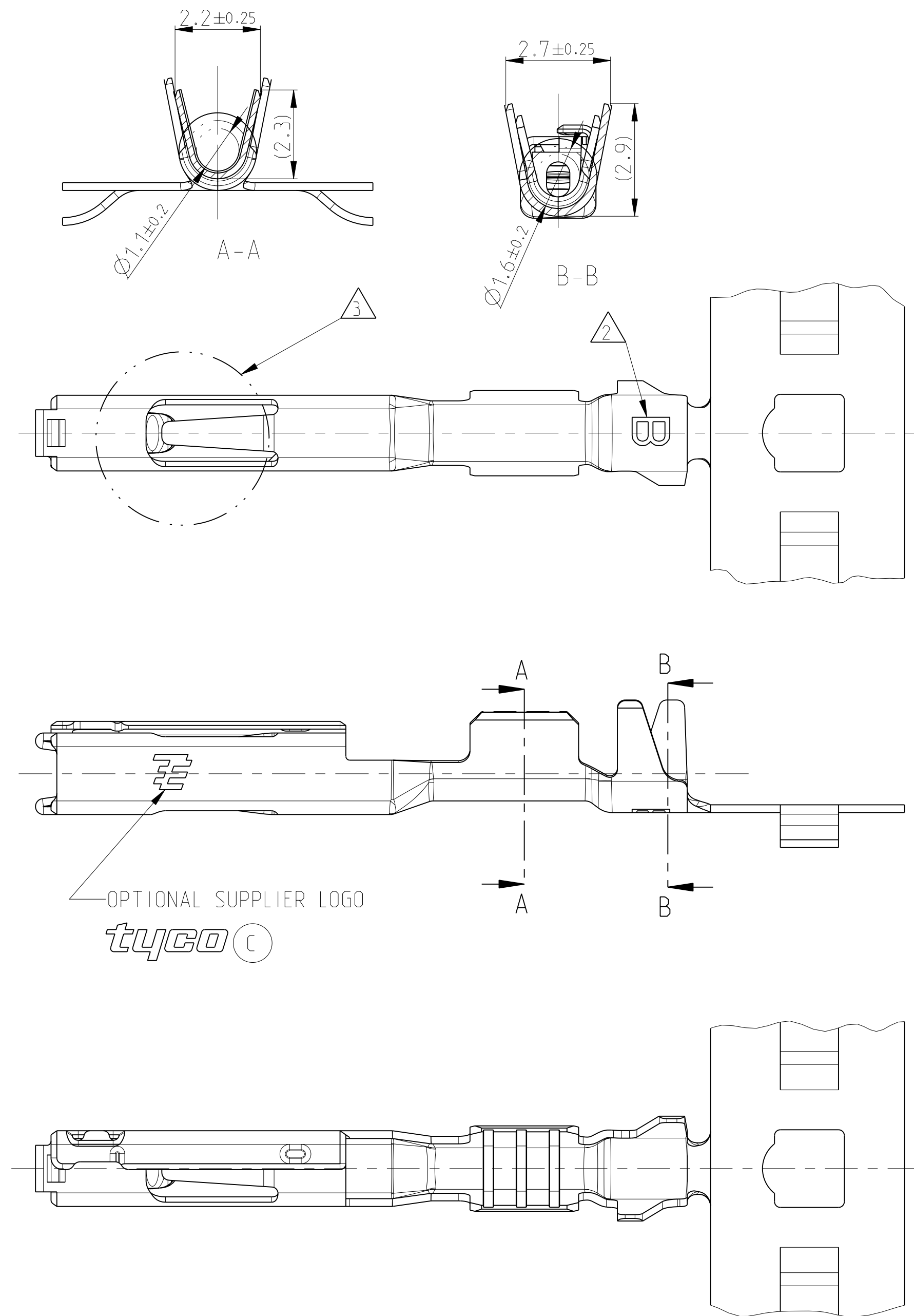


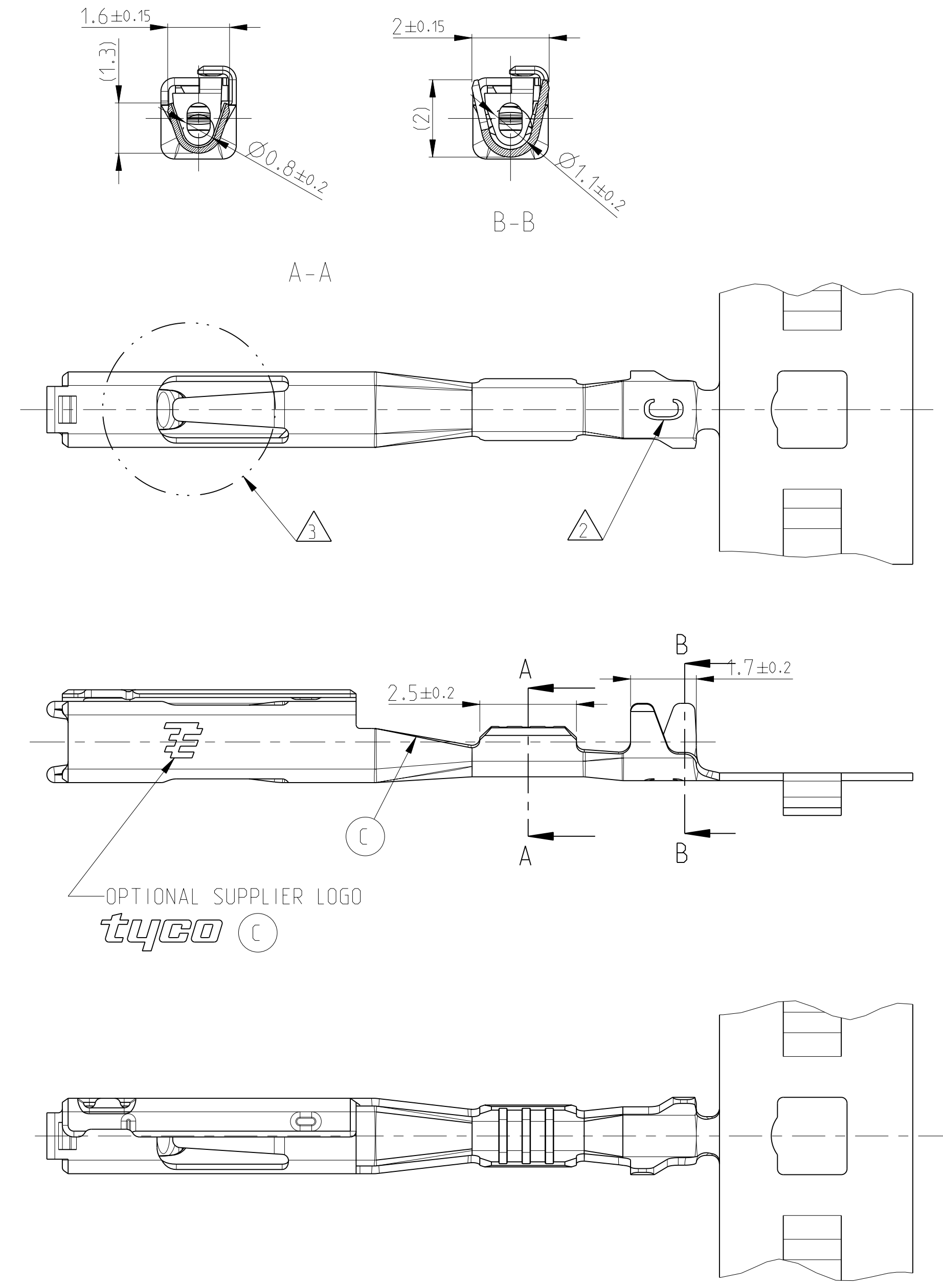
PN 0-1719957-1



PN 0-1719958-1

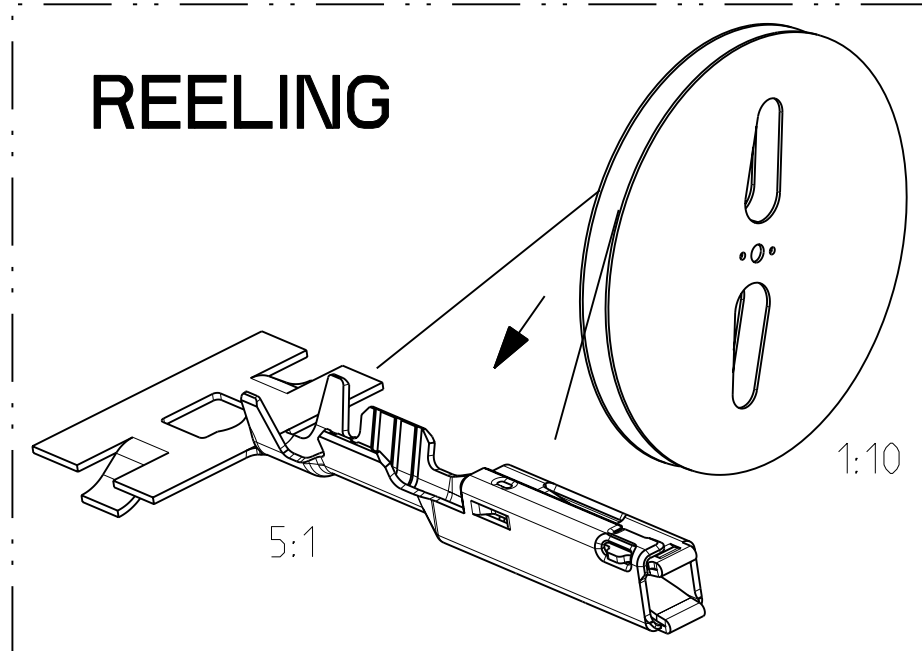


PN 0-1564880-1

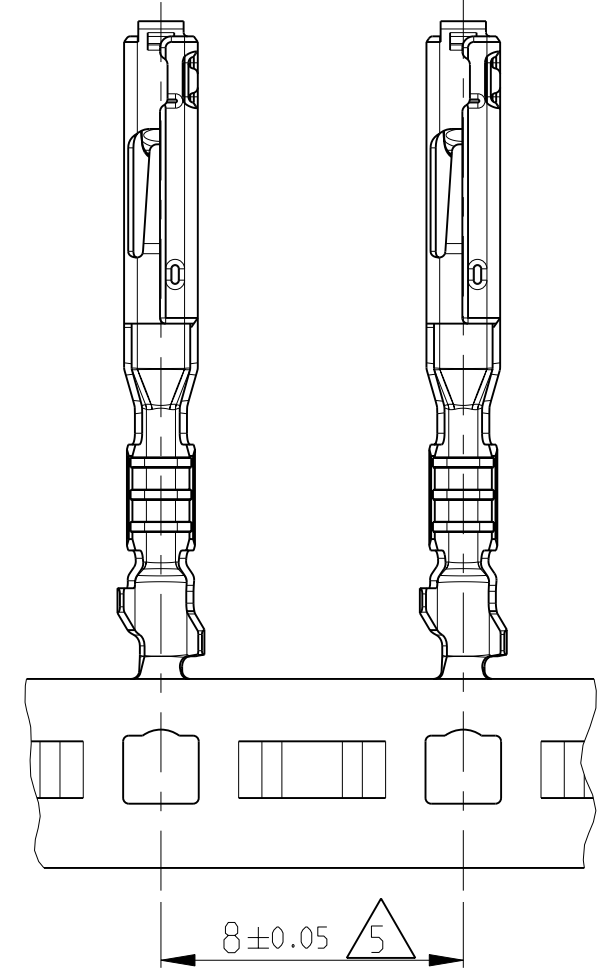


LOC	DIST	REV	DESCRIPTION	DATE	DWN	APVD
A1	-	B3	SEE PCN E-09-014603	26 JUN 2009	GH	GM
		C	SEE PCN E-10-021811	25 OCT 2010	GH	GS

REELING



DIE FEED

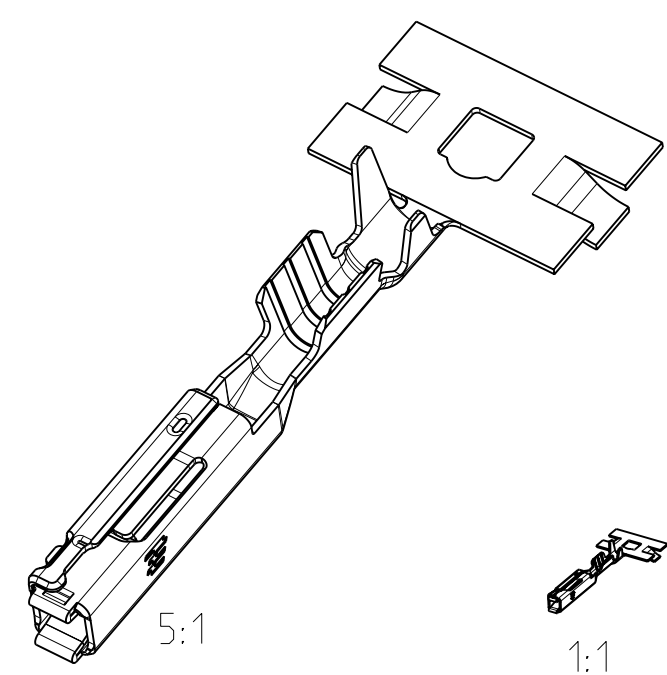


NOTES
BEMERKUNGEN

- 1 APPLICATION TOOL FEED 8.0±0.05
- 2 MARKING CRIMP CODE "A" FOR WIRE SIZE 0.22-0.35mm²
 MARKING CRIMP CODE "B" FOR WIRE SIZE 0.5-0.75mm²
 MARKING CRIMP CODE "C" FOR WIRE SIZE 0.13mm²
- 3 OPTIMOL (UNDILUTED) LUBRICATION IN THIS AREA
- 4 FEMALE TERMINALS SHOULD ALWAYS BE USED WITH PINS/MALE TERMINALS WITH THE SAME PLATING MATERIAL
- 5 DIMENSION APPLY TO ALL PART NUMBERS

PLATING	MATERIAL	WEIGHT (g)	CRIMP CODE	CONDUCTOR WIRE SIZE	TE PART NO	TE PART REV.
TIN HOT DIPPED 1-3µm	COPPER ALLOY	0.22	C	0.13mm ² ISO6722 THINN WALL	0-1564880-1	C
TIN HOT DIPPED 1-3µm	COPPER ALLOY	0.24	B	0.5-0.75mm ² /AWG 18-20	0-1719958-1	B
TIN HOT DIPPED 1-3µm	COPPER ALLOY	0.23	A	0.22-0.35mm ² /AWG 22	0-1719957-1	B

DIMENSIONS: mm 		TOLERANCES UNLESS OTHERWISE SPECIFIED: 9 PLC ±0.3 1 PLC ±0.3 2 PLC ±0.3 3 PLC ± 4 PLC ± ANGLES ±		DWN G.S. HOEJA ZODEC 2006 CHK G. MUMPER ZODEC 2008 APVD -		Tyco Electronics Tyco Electronics AMP GmbH 64625 Bensheim (Germany)	
MATERIAL S. TAB FINISH S. TAB		NAME GET FEMALE TERMINAL, 0.2 STOCK SHEET GET BUCHSENKONTAKT, 0.2 BLECHSTAERKE		PRODUCT SPEC 108-94032 APPLICATION SPEC 114-18774		SIZE CAGE CODE DRAWING NO RESTRICTED TO WEIGHT S. TAB A1 00779 C=1719957 -	
CUSTOMER DRAWING				SCALE 10:1 SHEET 1 OF 1 REV C			



Mouser Electronics

Authorized Distributor

Click to View Pricing, Inventory, Delivery & Lifecycle Information:

[TE Connectivity:](#)

[1719957-1](#)